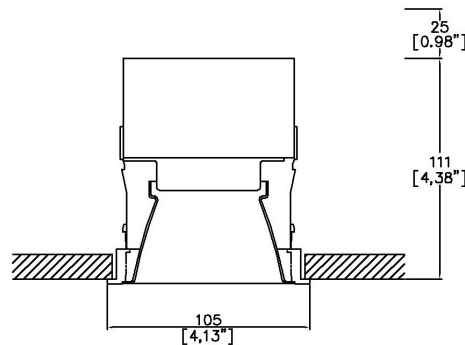


## ProSpex Performance105 Fixed High Output



105mm (4.13") overall diameter dark light fixed downlight fixture. Supplied as standard with semi-specular silver reflector and white die-cast trim. Pattress provided for soft tile or metal ceiling installation. Required depth = height + 25mm<sup>^</sup>



PP1050  
Cut out Ø97mm  
Weight: 0.515kg

LED Source	COB	COB	COB	COB
CCT	3000K	3000K	3000K	3000K
Drive Current	700mA	700mA	700mA	700mA
Power inc Driver	29W	29W	29W	29W
Beam Angle	18°	24°	30°	52°
Delivered Lumens	2290	2258	2130	2198
Delivered Intensisty cd	13710	10237	6715	3335
Efficacy lm/w	79	78	73	76
Forward Volt	35.3V	35.3V	35.3V	35.3V
CRI	≥90 CRI	≥90 CRI	≥90 CRI	≥90 CRI

Project Ref: \_\_\_\_\_

Location Ref: \_\_\_\_\_

Fixture Order Code: PP1050 -  -  -  - SSS

Fixture  
PP1050

Performance105 Fixed

CCT

- 27      2700K
- 30      3000K
- 35      3500K
- 40      4000K

Beam

- 18      18°
- 24      24°
- 30      30°
- 52      52°

Trim Finish

- WH      White
- RAL      Custom RAL Colour\*

Reflector Finish

- SSS      Semi Specular Silver



**Honeycomb Louvre**



**Diffusing Lens**



**Frosted Lens**



**Heavy Spread Lens**



**Linear Spread Lens**



**Warm Tone**

Accessories Order Code:

**Louvre/Lens**

- LL45 Honeycomb Louvre
- LLCC Warm Tone Lens
- LLUV UV Lens
- LLDF Diffusing Lens
- LLFR Frosted Lens
- LLLS Linear Spread Lens
- LLHS Heavy Spread Lens

**Technical Details**

\*Custom RAL code must be specified. Custom RAL colours can increase prices and lead times

Dimming. Whilst Lucent can offer the majority of its luminaires with various dimming options, it remains the responsibility of the specifier/installer to check and ensure compatibility of any control equipment used. Additional cabling may be required depending on the dimming protocol specified.

\*\*Bluetooth (wireless) is the communication method. The exact dimming protocol must be confirmed to allow the selection of suitable drivers or bluetooth devices.

^ Depth indicated is the minimum recess depth for the luminaire with a remote mounted LED driver. Installing a driver through either the luminaire cut-out or installation kit may require additional recess depth, please refer to the relevant luminaire installation instructions for further details. Data correct at time of publishing

First Fix Requirement. Luminaire comprised of fixture body with ceiling trim and installation kit, which is to be fitted into the ceiling once finished. Ensure correct alignment of the installation kit before final assembly (see luminaire installation instructions for details)

IP Rating. Tested from underside of the ceiling

It is the policy of Lucent Lighting to continually review and improve its products and therefore reserve the right to change any details of product or withdraw specifications without prior notice.

Luminaires designed to comply with EN60598 and all other standards.

This specification sheet superseded all previous versions.

All intellectual property rights pertaining to the product described above and to this document are owned by or licensed to Lucent Lighting Ltd.

We reserve the right to take whatever action is necessary to protect those intellectual property rights.

Please notify Lucent Lighting Ltd of any inaccuracies immediately. E&OE

## Light efficiency:

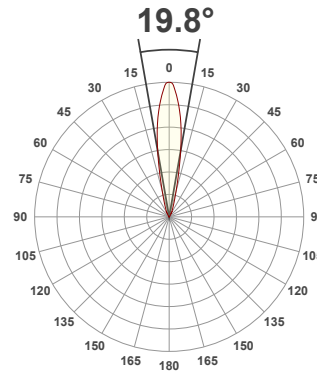
**79 Lumen/Watt**

## Light quality:

**CRI: 93.7**

## Color temperature:

**3000 K**



## Product name:

**Performance105 Fixed LED, 3000K, 18°, 700mA**

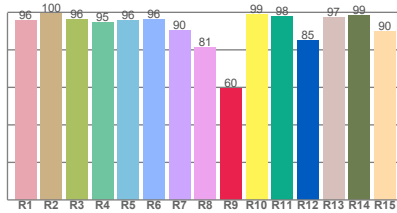
## Item number:

**PP1050-30-18-SSS-700mA**

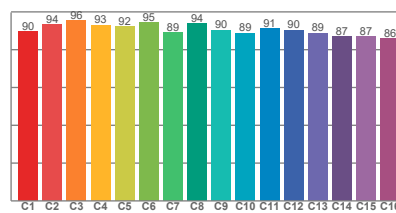
**Delivered information for above fixture and LED combination.**

**Output: 2290 Lumen Peak intensity: 13710 cd Power consumption: 29.0**

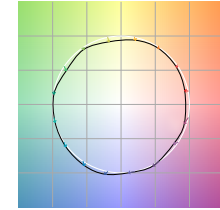
### CRI R values



### TM30 C Values

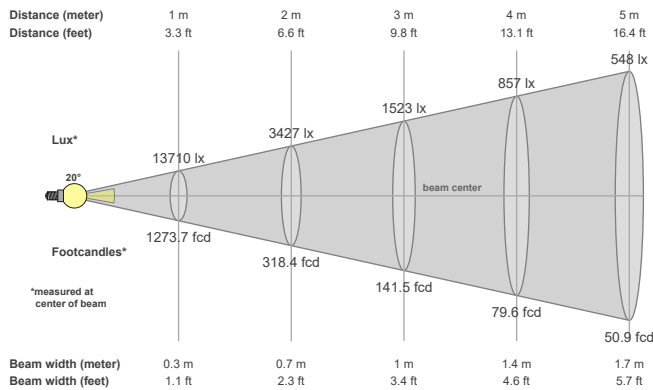


### Color vector graphics



Color temperature	Color rendering index	Red component	Color fidelity	Color gamut	Color quality scale	Color coordinate cie 1931	Color coordinate cie 1931	Color coordinate	Color coordinate	Color deviation from black body
CCT	CRI	CRI R9	TM30 Rf	TM30 Rg	CQS	x	y	u	v	Δuv
3000 K	93.7	59.6	91.0	96.3	92.1	0.437	0.404	0.249	0.348	0.0006

### Beam details



### Beam angels

Beam angle 50%	Field angle 10%	Cutoff angle 2,5%
19.8°	39.3°	63.9°

### Beam intensities

Peak intensity	Int. ratio in 120° cone	Int. ratio in 90° cone
13710 cd	99.6%	99.1%

### Beam intensities from 1-20m

1m	2m	3m	4m	5m	6m	7m	8m	9m	10m	11m	12m	13m	14m	15m	16m	17m	18m	19m	20m
3.3ft	6.6ft	9.8ft	13.1ft	16.4ft	19.7ft	23ft	26.2ft	29.5ft	32.8ft	36.1ft	39.4ft	42.7ft	45.9ft	49.2ft	52.5ft	55.8ft	59.1ft	62.3ft	65.6ft
13710lx	3427lx	1523lx	857lx	548lx	381lx	280lx	214lx	169lx	137lx	113lx	95lx	81lx	70lx	61lx	54lx	47lx	42lx	38lx	34lx
1273.7fcd	318.4fcd	141.5fcd	79.6fcd	50.9fcd	35.4fcd	26fcd	19.9fcd	15.7fcd	12.7fcd	10.5fcd	8.8fcd	7.5fcd	6.5fcd	5.7fcd	5fcd	4.4fcd	3.9fcd	3.5fcd	3.2fcd

The above information is for 3000K colour temperature.

**Light efficiency:**

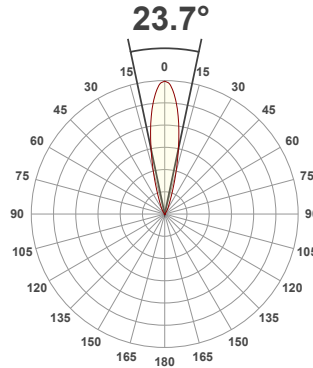
**78 Lumen/Watt**

**Light quality:**

**CRI: 93.8**

**Color temperature:**

**3000 K**



**Product name:**

**Performance105 Fixed**

**LED, 3000K, 24°, 700mA**

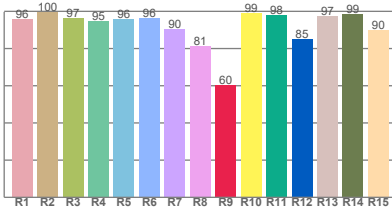
**Item number:**

**PP1050-30-24-SSS-700mA**

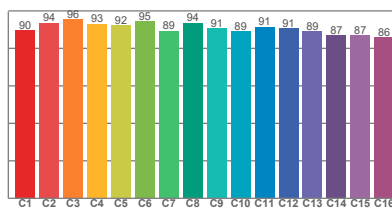
**Delivered information for above fixture and LED combination.**

**Output: 2258 Lumen Peak intensity: 10237 cd Power consumption: 29.0**

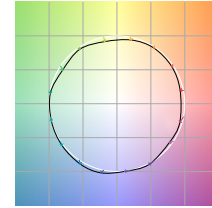
**CRI R values**



**TM30 C Values**

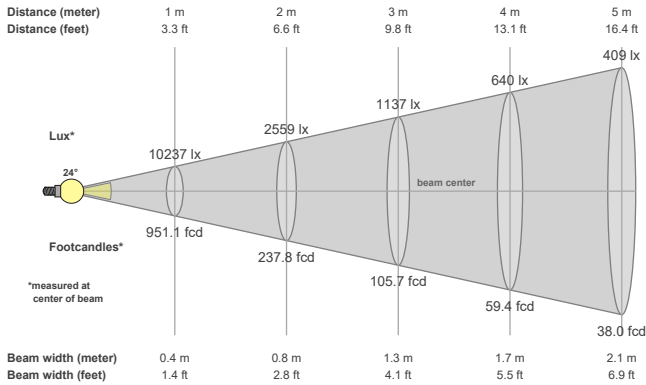


**Color vector graphics**



Color temperature	Color rendering index	Red component	Color fidelity	Color gamut	Color quality scale	Color coordinate cie 1931	Color coordinate cie 1931	Color coordinate	Color coordinate	Color deviation from black body
CCT	CRI	CRI R9	TM30 Rf	TM30 Rg	CQS	x	y	u	v	Δuv
3000 K	93.8	60.1	91.1	96.4	92.2	0.437	0.404	0.249	0.348	0.0007

**Beam details**



**Beam angles**

Beam angle 50%	Field angle 10%	Cutoff angle 2,5%
23.7°	45.1°	68.4°

**Beam intensities**

Peak intensity	Int. ratio in 120° cone	Int. ratio in 90° cone
10237 cd	99.4%	98.8%

**Beam intensities from 1-20m**

1m	2m	3m	4m	5m	6m	7m	8m	9m	10m	11m	12m	13m	14m	15m	16m	17m	18m	19m	20m
3.3ft	6.6ft	9.8ft	13.1ft	16.4ft	19.7ft	23ft	26.2ft	29.5ft	32.8ft	36.1ft	39.4ft	42.7ft	45.9ft	49.2ft	52.5ft	55.8ft	59.1ft	62.3ft	65.6ft
10237lx	2559lx	1137lx	640lx	409lx	284lx	209lx	160lx	126lx	102lx	85lx	71lx	61lx	52lx	45lx	40lx	35lx	32lx	28lx	26lx
951.1fcd	237.8fcd	105.7fcd	59.4fcd	38fcd	26.4fcd	19.4fcd	14.9fcd	11.7fcd	9.5fcd	7.9fcd	6.6fcd	5.6fcd	4.9fcd	4.2fcd	3.7fcd	3.3fcd	2.9fcd	2.6fcd	2.4fcd

The above information is for 3000K colour temperature.

## Light efficiency:

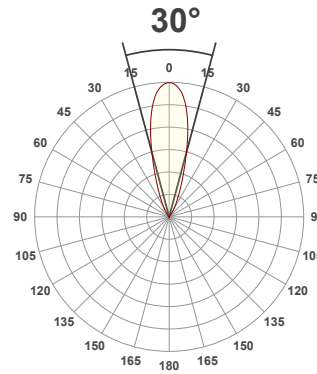
**73 Lumen/Watt**

## Light quality:

**CRI: 93.8**

## Color temperature:

**3000 K**



## Product name:

**Performance105 Fixed LED, 3000K, 30°, 700mA**

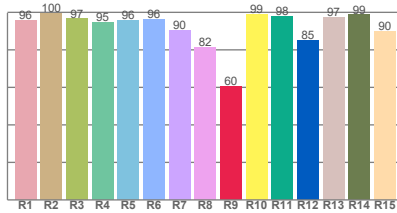
## Item number:

**PP1050-30-30-SSS-700mA**

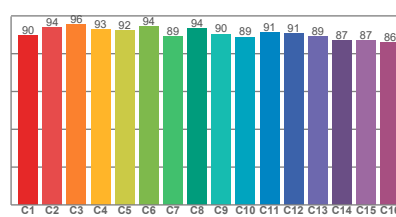
**Delivered information for above fixture and LED combination.**

**Output: 2130 Lumen Peak intensity: 6715 cd Power consumption: 29.0**

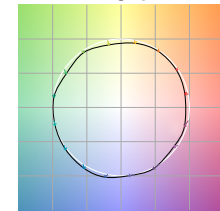
### CRI R values



### TM30 C Values

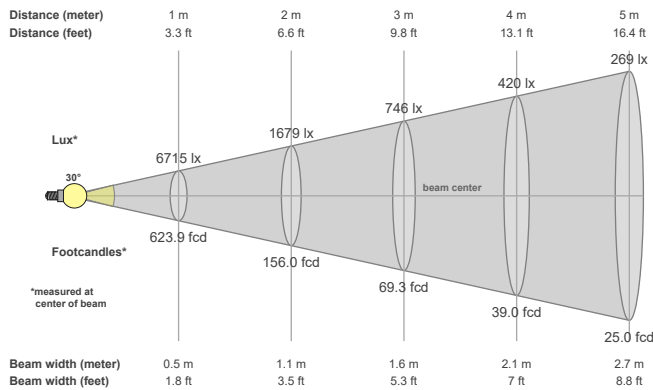


### Color vector graphics



Color temperature	Color rendering index	Red component	Color fidelity	Color gamut	Color quality scale	Color coordinate cie 1931	Color coordinate cie 1931	Color coordinate	Color coordinate	Color deviation from black body
CCT	CRI	CRI R9	TM30 Rf	TM30 Rg	CQS	x	y	u	v	Δuv
3000 K	93.8	60.4	91.0	96.3	92.2	0.437	0.404	0.249	0.348	0.0008

### Beam details



### Beam angles

Beam angle 50%	Field angle 10%	Cutoff angle 2,5%
30°	56.1°	71.8°

### Beam intensities

Peak intensity	Int. ratio in 120° cone	Int. ratio in 90° cone
6715 cd	99.8%	99.2%

### Beam intensities from 1-20m

1m	2m	3m	4m	5m	6m	7m	8m	9m	10m	11m	12m	13m	14m	15m	16m	17m	18m	19m	20m
3.3ft	6.6ft	9.8ft	13.1ft	16.4ft	19.7ft	23ft	26.2ft	29.5ft	32.8ft	36.1ft	39.4ft	42.7ft	45.9ft	49.2ft	52.5ft	55.8ft	59.1ft	62.3ft	65.6ft
6715lx	1679lx	746lx	420lx	269lx	187lx	137lx	105lx	83lx	67lx	55lx	47lx	40lx	34lx	30lx	26lx	23lx	21lx	19lx	17lx
623.9fcd	156fcd	69.3fcd	39fcd	25fcd	17.3fcd	12.7fcd	9.7fcd	7.7fcd	6.2fcd	5.2fcd	4.3fcd	3.7fcd	3.2fcd	2.8fcd	2.4fcd	2.2fcd	1.9fcd	1.7fcd	1.6fcd

The above information is for 3000K colour temperature.

## Light efficiency:

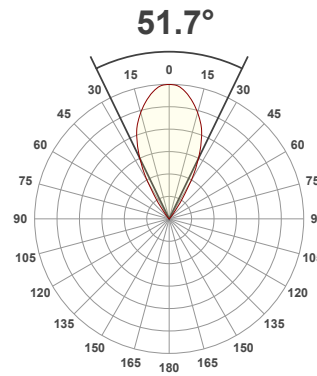
**76 Lumen/Watt**

## Light quality:

**CRI: 93.7**

## Color temperature:

**3000 K**



## Product name:

**Performance105 Fixed LED, 3000K, 52°, 700mA**

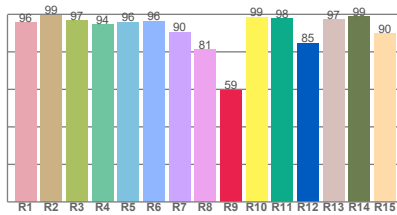
## Item number:

**PP1050-30-52-SSS-700mA**

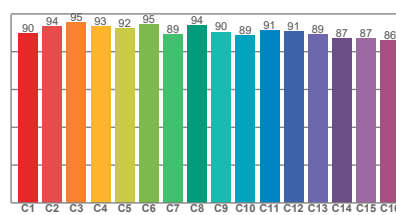
**Delivered information for above fixture and LED combination.**

**Output: 2198 Lumen Peak intensity: 3335 cd Power consumption: 29.0**

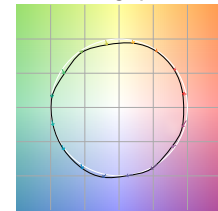
### CRI R values



### TM30 C Values

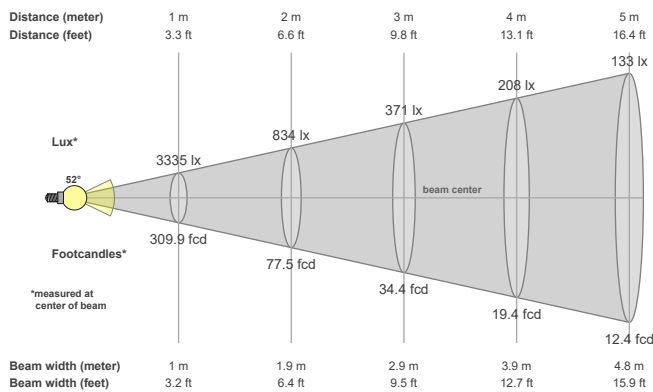


### Color vector graphics



Color temperature	Color rendering index	Red component	Color fidelity	Color gamut	Color quality scale	Color coordinate cie 1931	Color coordinate cie 1931	Color coordinate	Color coordinate	Color deviation from black body
CCT	CRI	CRI R9	TM30 Rf	TM30 Rg	CQS	x	y	u	v	Δuv
3000 K	93.7	59.4	91.0	96.3	92.1	0.437	0.404	0.249	0.348	0.0008

### Beam details



### Beam angles

Beam angle 50%	Field angle 10%	Cutoff angle 2,5%
51.7°	72.1°	82.7°

### Beam intensities

Peak intensity	Int. ratio in 120° cone	Int. ratio in 90° cone
3335 cd	99.6%	99.0%

### Beam intensities from 1-20m

1m	2m	3m	4m	5m	6m	7m	8m	9m	10m	11m	12m	13m	14m	15m	16m	17m	18m	19m	20m
3.3ft	6.6ft	9.8ft	13.1ft	16.4ft	19.7ft	23ft	26.2ft	29.5ft	32.8ft	36.1ft	39.4ft	42.7ft	45.9ft	49.2ft	52.5ft	55.8ft	59.1ft	62.3ft	65.6ft
3335lx	834lx	371lx	208lx	133lx	93lx	68lx	52lx	41lx	33lx	28lx	23lx	20lx	17lx	15lx	13lx	12lx	10lx	9lx	8lx
309.9fcd	77.5fcd	34.4fcd	19.4fcd	12.4fcd	8.6fcd	6.3fcd	4.8fcd	3.8fcd	3.1fcd	2.6fcd	2.2fcd	1.8fcd	1.6fcd	1.4fcd	1.2fcd	1.1fcd	1fcd	0.9fcd	0.8fcd

The above information is for 3000K colour temperature.