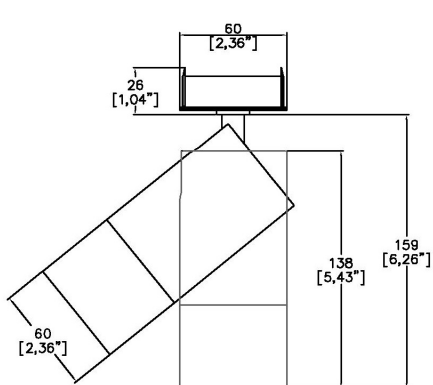


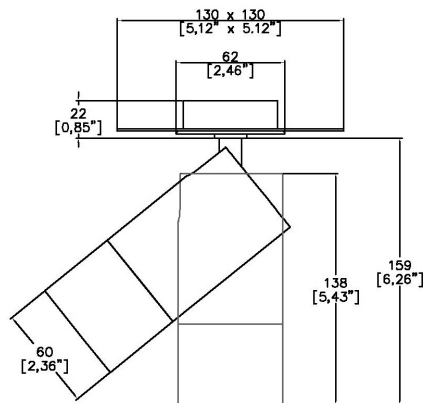
TubeLED Mini SuperSpot



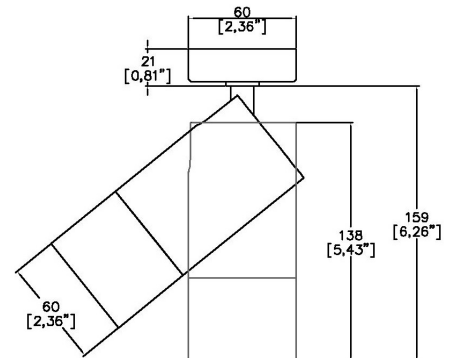
60mm (2.36") overall diameter LED spotlight , with magnetic track adaptor for Low Voltage track. Available with monopoint mounting, and 3 circuit track adaptor. Driver for remote installation. Family of matching products also available.



7100/SS-LED-RMP
Cut out Ø57mm



7100/SS-LED-TMP
Cut out Ø57mm



7100/SS-LED-SMP
Cut out Ø15mm

Driver Location	Remote
LED Source	LED
CCT	3000K
Drive Current	1000mA
Power inc Driver	14.5W
Beam Angle	7°
Delivered Lumens	722
Delivered Intensity cd	26123
Efficacy lm/w	59
Forward Volt	12.3V
CRI	≥90 CRI

Project Ref: _____

Location Ref: _____

Fixture Order Code: **7100/SS-LED** - [] - **7** - [] - [] - [] - [] - **1000**

Fixture 7100/SS-LED	TubeLED Mini SuperSpot
CCT 927 930	90 CRI 2700K 90 CRI 3000K
Beam 7	7°
Protocol S P D A	Non-Dim Phase DALI Analogue (0-10v)
Colour Insert SN SG CP BZ (Blank)	Satin Nickel Satin Gold Copper Bronze Not required standard black to be supplied
Finish WH BK RAL	White Black Custom RAL Finish*
Fixing RMP TMP SMP	Recessed Monopoint Trimless Monopoint Surface Monopoint
Drive Current 1000	1000mA Remote Driver

TubeLED Monopoint luminaires utilise remote drivers.

Technical Details

*Custom RAL code must be specified. Custom RAL colours can increase prices and lead times

Dimming. Whilst Lucent can offer the majority of its luminaires with various dimming options, it remains the responsibility of the specifier/installer to check and ensure compatibility of any control equipment used. Additional cabling may be required depending on the dimming protocol specified.

Driver. For remote installation to achieve any dimming at max drive current. Integral driver available please contact Lucent for more information.

IP Rating. Tested from underside of the ceiling

It is the policy of Lucent Lighting to continually review and improve its products and therefore reserve the right to change any details of product or withdraw specifications without prior notice.

Luminaires designed to comply with EN60598 and all other standards.

This specification sheet superseded all previous versions.

All intellectual property rights pertaining to the product described above and to this document are owned by or licensed to Lucent Lighting Ltd.

We reserve the right to take whatever action is necessary to protect those intellectual property rights.

Please notify Lucent Lighting Ltd of any inaccuracies immediately. E&OE



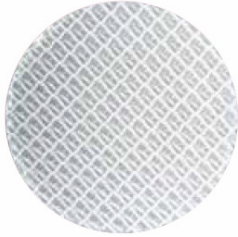
Honeycomb Louvre



Diffusing Lens



Frosted Lens



Heavy Spread Lens



Linear Spread Lens



Warm Tone

Accessories Order Code:

Louvre/Lens

- LL45 Honeycomb Louvre
- LLCC Warm Tone Lens
- LLUV UV Lens
- LLDF Diffusing Lens
- LLFR Frosted Lens
- LLLS Linear Spread Lens
- LLHS Heavy Spread Lens

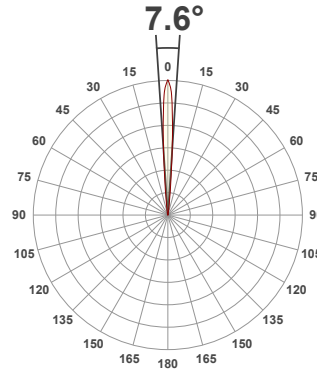
Light efficiency:



Light quality:



Color temperature:



Product name:

**TubeLED Mini SuperSpot,
3000K, 7°, 1000mA**

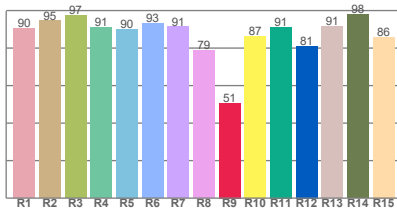
Item number:

7100/SS-930-7-1000mA

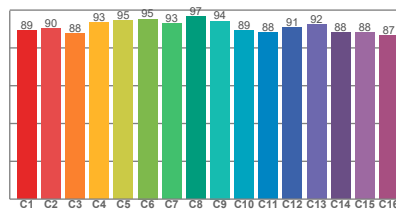
**Delivered information for
above fixture and LED
combination.**

Output: 722 Lumen Peak intensity: 26123 cd Power consumption: 12.3W

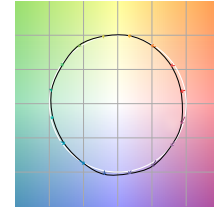
CRI R values



TM30 C Values

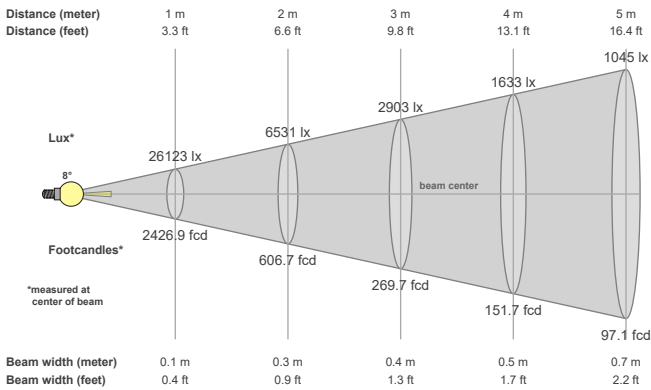


Color vector graphics



Color temperature	Color rendering index	Red component	Color fidelity	Color gamut	Color quality scale	Color coordinate cie 1931	Color coordinate cie 1931	Color coordinate	Color coordinate	Color deviation from black body
CCT	CRI	CRI R9	TM30 Rf	TM30 Rg	CQS	x	y	u	v	Δuv
3069 K	90.9	50.7	91.2	99.0	89.5	0.433	0.403	0.248	0.347	0.0003

Beam details



Beam angels

Beam angle 50%	Field angle 10%	Cutoff angle 2,5%
7.6°	13.5°	20.9°

Beam intensities

Peak intensity	Int. ratio in 120° cone	Int. ratio in 90° cone
26123 cd	95.0%	93.6%

Beam intensities from 1-20m

1m	2m	3m	4m	5m	6m	7m	8m	9m	10m	11m	12m	13m	14m	15m	16m	17m	18m	19m	20m
3.3ft	6.6ft	9.8ft	13.1ft	16.4ft	19.7ft	23ft	26.2ft	29.5ft	32.8ft	36.1ft	39.4ft	42.7ft	45.9ft	49.2ft	52.5ft	55.8ft	59.1ft	62.3ft	65.6ft
26123lx	6531lx	2903lx	1633lx	1045lx	726lx	533lx	408lx	323lx	261lx	216lx	181lx	155lx	133lx	116lx	102lx	90lx	81lx	72lx	65lx
2426.9fcd	606.7fcd	269.7fcd	151.7fcd	97.1fcd	67.4fcd	49.5fcd	37.9fcd	30fcd	24.3fcd	20.1fcd	16.9fcd	14.4fcd	12.4fcd	10.8fcd	9.5fcd	8.4fcd	7.5fcd	6.7fcd	6.1fcd

The above information is for 3000K colour temperature, for specific module information please see LED spec located on our website

For information regarding other colour temperatures please use the following factors for lumen output and candelas:

2700K = 0.9