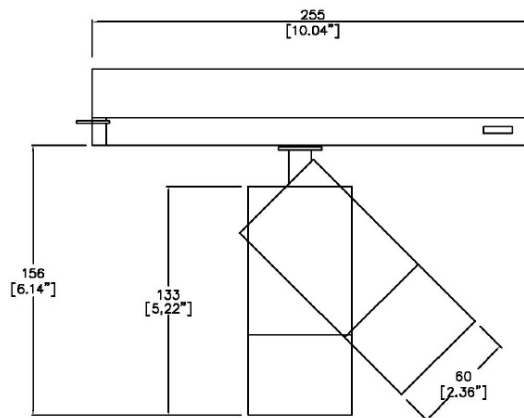


TubeLED Mini Tuneable White



60mm (2.36") overall diameter. LED spotlight with driver integral to track adaptor. Available with track mounting. Family of matching products also available.



7100TW-LED-3CT

LED Source	LEDTW	LEDTW
CCT range 5000K-2000K	@ 3000K	@ 3000K
Drive Current (max per channel)	700mA	700mA
Power inc Driver Max	15.1W	15.1W
Beam Angle	25°	35°
Delivered Lumens	741	848
Delivered Intensity cd	2695	1643
Efficacy lm/w	49	56
Forward Volt (max per channel)	18.4V	18.4V
CRI	≥95 CRI	≥95 CRI

Project Ref: _____ Location Ref: _____

Fixture Order Code: **7100TW-LED** - **5020** - [] - **D8** - [] - [] - []

Fixture	7100TW-LED	TubeLED Mini Tuneable White
CCT	5020	5000K - 2000K
Beam	25 35	25° 35°
Protocol	D8	DALI Type 8**
Colour Insert	SN SG CP BZ (Blank)	Satin Nickel Satin Gold Copper Bronze Not required standard black to be supplied
Finish	WH BK RAL	White Black Custom RAL Finish*
Fixing	3CT	3 Circuit Track Adaptor

Driver located in track adaptor.

Technical Details

*Custom RAL code must be specified. Custom RAL colours can increase prices and lead times

Dimming. Whilst Lucent can offer the majority of its luminaires with various dimming options, it remains the responsibility of the specifier/installer to check and ensure compatibility of any control equipment used. Additional cabling may be required depending on the dimming protocol specified.

**DALI Type 8 is a single DALI Type 8 address for CCT and Intesity control. Please check which control system is being used before specifying.

***Bluetooth (wireless) is the communication method. The exact dimming protocol must be confirmed to allow the selection of suitable drivers or bluetooth devices.

First Fix Requirement. Luminaire comprised of fixture body with ceiling trim and installation kit, which is to be fitted into the ceiling once finished. Ensure correct alignment of the installation kit before final assembly (see luminaire installation instructions for details)

IP Rating. Tested from underside of the ceiling

It is the policy of Lucent Lighting to continually review and improve its products and therefore reserve the right to change any details of product or withdraw specifications without prior notice.

Luminaires designed to comply with EN60598 and all other standards.

This specification sheet superseded all previous versions.

All intellectual property rights pertaining to the product described above and to this document are owned by or licensed to Lucent Lighting Ltd.

We reserve the right to take whatever action is necessary to protect those intellectual property rights.

Please notify Lucent Lighting Ltd of any inaccuracies immediately. E&OE

Light efficiency:

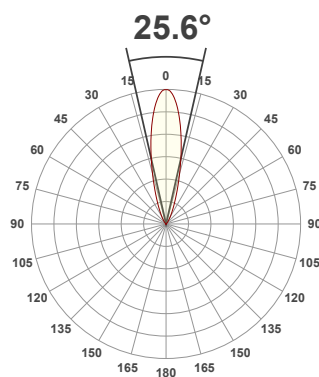
49 Lumen/Watt

Light quality:

CRI: 91.3

Color temperature:

3000 K



Product name:

**TubeLED Mini Tuneable White
5000K-2000K 25° @ 3000K**

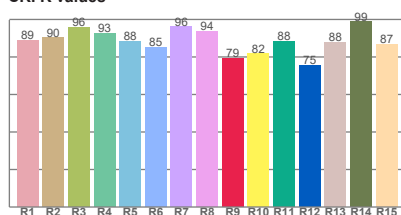
Item number:

7100TW-5020-25 @ 3000K

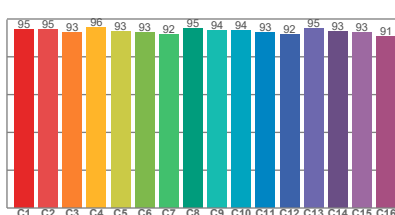
**Delivered information for
above fixture and LED
combination.**

Output: 741 Lumen Peak intensity: 2695 cd Power consumption: 15.1

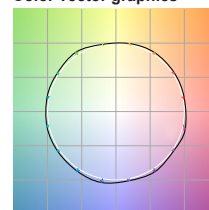
CRI R values



TM30 C Values

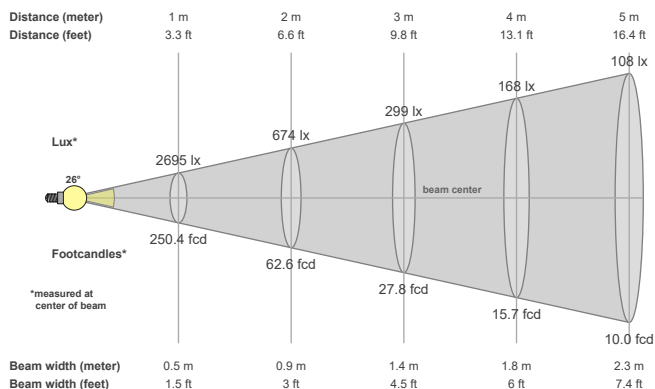


Color vector graphics



Color temperature	Color rendering index	Red component	Color fidelity	Color gamut	Color quality scale	Color coordinate cie 1931	Color coordinate cie 1931	Color coordinate	Color coordinate	Color deviation from black body
CCT	CRI	CRI R9	TM30 Rf	TM30 Rg	CQS	x	y	u	v	Δuv
3000 K	91.3	79.1	93.7	106.0	94.0	0.437	0.404	0.253	0.334	-0.0136

Beam details



Beam angels

Beam angle 50%	Field angle 10%	Cutoff angle 2,5%
25.6°	52.4°	75.9°

Beam intensities

Peak intensity	Int. ratio in 120° cone	Int. ratio in 90° cone
2695 cd	99.5%	97.8%

Beam intensities from 1-20m

1m	2m	3m	4m	5m	6m	7m	8m	9m	10m	11m	12m	13m	14m	15m	16m	17m	18m	19m	20m
3.3ft	6.6ft	9.8ft	13.1ft	16.4ft	19.7ft	23ft	26.2ft	29.5ft	32.8ft	36.1ft	39.4ft	42.7ft	45.9ft	49.2ft	52.5ft	55.8ft	59.1ft	62.3ft	65.6ft
2695lx	674lx	299lx	168lx	108lx	75lx	55lx	42lx	33lx	27lx	22lx	19lx	16lx	14lx	12lx	11lx	9lx	8lx	7lx	7lx
250.4fcd	62.6fcd	27.8fcd	15.7fcd	10fcd	7fcd	5.1fcd	3.9fcd	3.1fcd	2.5fcd	2.1fcd	1.7fcd	1.5fcd	1.3fcd	1.1fcd	1fcd	0.9fcd	0.8fcd	0.7fcd	0.6fcd

All the above information for fixtures with LED51TW-5020 modules are tested at 3000K

Factors to adjust lumen output for the following CCTs at 100% output for the colour are as follows:

2000K = 0.67

2700K = 0.84

3500K = 1.085

4000K = 1.113

5000K = 1.087

Light efficiency:

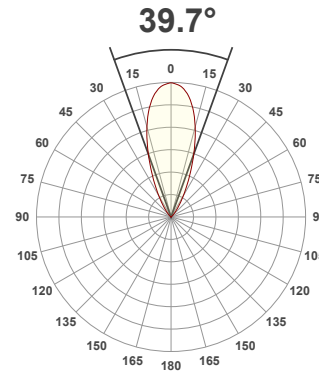
56 Lumen/Watt

Light quality:

CRI: 91.3

Color temperature:

3000 K



Product name:

**TubeLED Mini Tuneable White
5000K-2000K 35° @ 3000K**

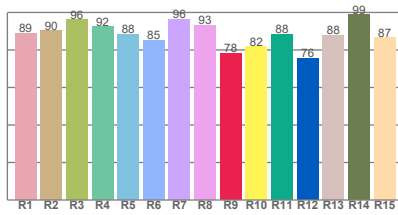
Item number:

7100TW-5020-35 @ 3000K

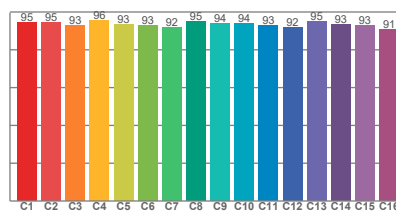
**Delivered information for
above fixture and LED
combination.**

Output: 848 Lumen Peak intensity: 1643 cd Power consumption: 15.1

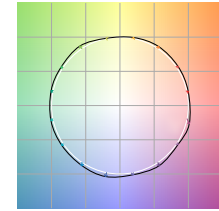
CRI R values



TM30 C Values

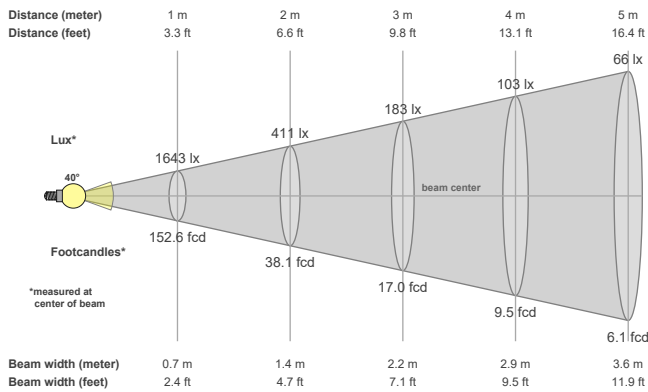


Color vector graphics



Color temperature	Color rendering index	Red component	Color fidelity	Color gamut	Color quality scale	Color coordinate cie 1931	Color coordinate cie 1931	Color coordinate	Color coordinate	Color deviation from black body
CCT	CRI	CRI R9	TM30 Rf	TM30 Rg	CQS	x	y	u	v	Δuv
3000 K	91.3	78.3	93.6	106.2	94.0	0.437	0.404	0.253	0.334	-0.0137

Beam details



Beam angels

Beam angle 50%	Field angle 10%	Cutoff angle 2,5%
39.7°	70.2°	89°

Beam intensities

Peak intensity	Int. ratio in 120° cone	Int. ratio in 90° cone
1643 cd	99.5%	97.3%

Beam intensities from 1-20m

1m	2m	3m	4m	5m	6m	7m	8m	9m	10m	11m	12m	13m	14m	15m	16m	17m	18m	19m	20m
3.3ft	6.6ft	9.8ft	13.1ft	16.4ft	19.7ft	23ft	26.2ft	29.5ft	32.8ft	36.1ft	39.4ft	42.7ft	45.9ft	49.2ft	52.5ft	55.8ft	59.1ft	62.3ft	65.6ft
1643lx	411lx	183lx	103lx	66lx	46lx	34lx	26lx	20lx	16lx	14lx	11lx	10lx	8lx	7lx	6lx	6lx	5lx	5lx	4lx
152.6fcd	38.1fcd	17fcd	9.5fcd	6.1fcd	4.2fcd	3.1fcd	2.4fcd	1.9fcd	1.5fcd	1.3fcd	1.1fcd	0.9fcd	0.8fcd	0.7fcd	0.6fcd	0.5fcd	0.5fcd	0.4fcd	0.4fcd

All the above information for fixtures with LED51TW-5020 modules are tested at 3000K

Factors to adjust lumen output for the following CCTs at 100% output for the colour are as follows:

2000K = 0.67

2700K = 0.84

3500K = 1.085

4000K = 1.113

5000K = 1.087