

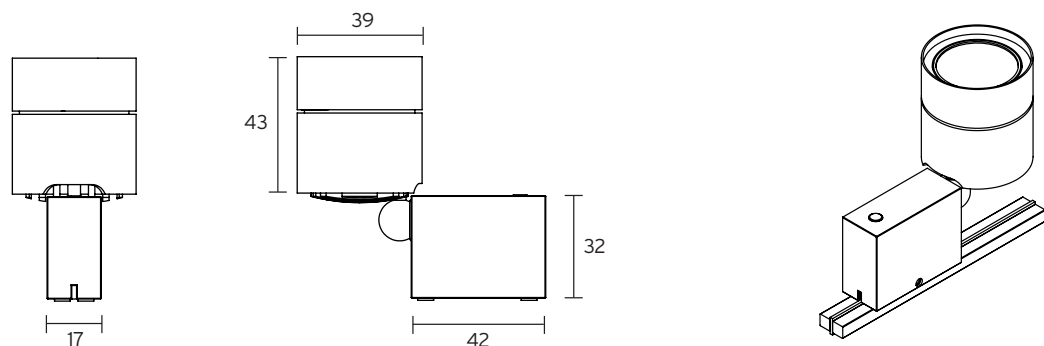
technical data sheet // LED spotlight C2-STS with triple lens

description:	LED spotlight for installation on magnetic track 180° rotatable, 90° swivelled
housing colour:	aluminium anodised black, silver, gold (other surface finishing on request)
LED type:	high power LED, high CRI
lifetime:	50000 hours
basis of lifetime:	L70B10
compliant to EMC:	DIN EN 55015:2013
light colour (+/- 100 K):	~2700 K, ~3000 K, ~4000 K, ~5700 K
max. luminous flux:	~310lm
max. power consumption:	~4,5 W
LED driver:	internal
power input:	12V DC constant voltage
dimming:	on board
protection class:	IP 20
allowed power supplies:	power supply for the LPF, LPV, NPF or APV by MeanWell with constant voltage 12V DC, class 2 (other power supplies on request)
accessory:	magnetic track (11 x 7 mm), holders
additional accessory:	- lenses: 18°, 25°, 32°, 67° - honeycomb grid, anti-glare tube, inclined tube, light diffusion foil, barn door



Dimension

specification in mm



Test result

for light colour ~3.000K // standard lens 25° // colour rendering index typ. 97, R9 > 90, R12 > 90 // colour variation ≤ 3 SDCM

