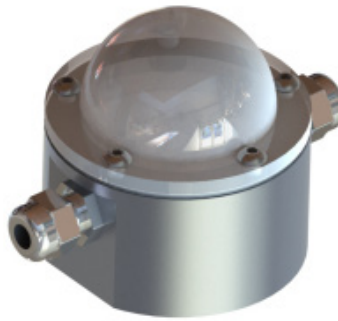


Individually Controlled RGBW Pixel with on board DMX



Flat lens pixel



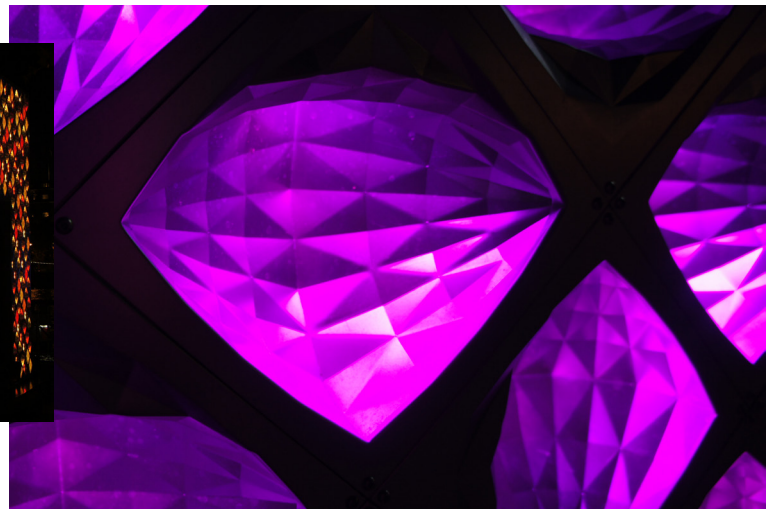
Dome lens option



Optical lens option



*note here



Product Description

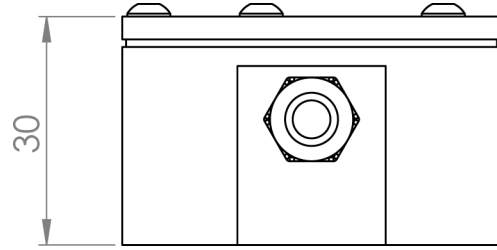
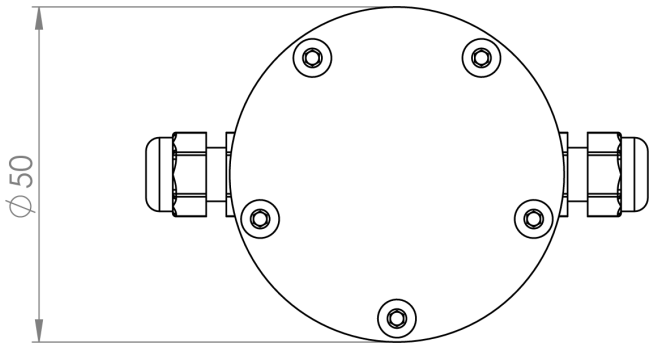
The VEX-PIXEL-RGBW-DMX is a colour change pixel manufactured from anodised Aluminium material for superior thermal characteristics in high ambient temperatures. This pixel contains 1x RGBW quad chip LED designed for pixel applications. The modules uses a RGBW DMX low voltage input. This pixel is finished with a hard wearing and environment resistant AA25 anodised finish in either matt black or matt silver colours. Frosted domes are available. Fixing is achieved via 2 fixing points to the rear. Optional fixing plates available.

- Facade lighting system
- Individually addressable 'pixels'
- DMX 512 compatible
- Direct feed DMX and 48 VDC
- Link up to 125 pixels in a single string

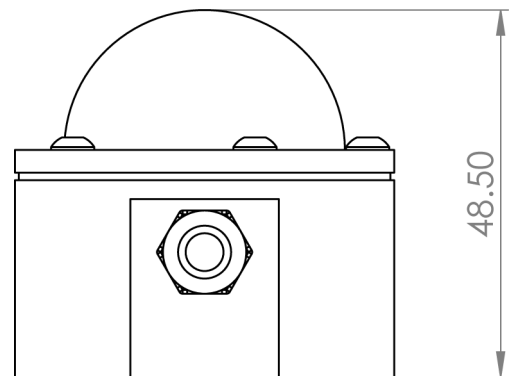
Technical

LED Drive Current (mA)	300 per channel	Maximum Luminaire Watts	5W
PSU Type	Constant voltage 48 VDC	Remote Driver Input Voltage	110 - 240 VAC
Connections	Power/Comms	Operating Temperature	-10°C to +50°C
CRI	N/A	LED Type	CREE XML RGBW
Number of LEDs	1	Expected Lifetime (Hrs)	50,000
Beam Angle (Degrees)	Various	LED Colour	RGBW Colour Change
Dimensions (MM)	SEE PAGE 2	Weight (KG)	TBC
Ingress Protection (IP)	67	Finishes Available	Anodised AA25, Black or Silver

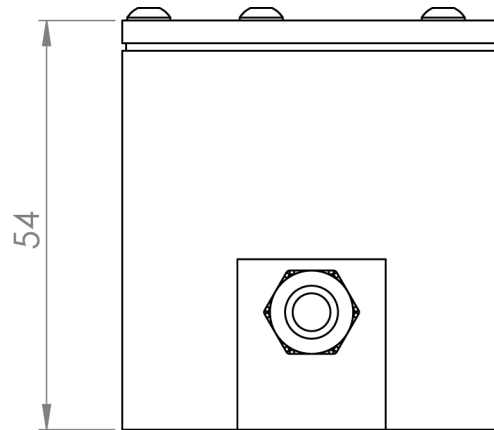
Dimensions



Flat lens pixel



Dome lens option



Optical lens option

Dimensions subject to change

Order Code nomenclature

Product	Lense Finish
VEX-PIXEL-RGBW-DMX	FLAT
	DOME
	OPTIC