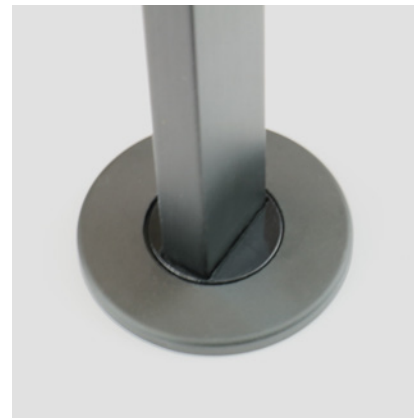


Indoor | Surface | Low output up to 260lm



Key applications

- ✓ Cabinet & furniture
- ✓ Interior
- ✓ Display case
- ✓ Retail display

Key features

- ✓ Adjustable
- ✓ Decorative
- ✓ Diffusion: spoting
- ✓ Dry area
- ✓ Form factor: small
- ✓ High lumen efficacy
- ✓ IP20
- ✓ Lensed
- ✓ Output low: 1-500lm

FOLIO

Specification sheet



Dimension	L285/Ø19.2mm (L11.2/Ø0.76 in)
Chip	Nichia
Beam angle	25°
Colours	hcc-line 3000K/4000K
Bin/Step	3-step MacAdam ellipse
CRI	≥90
Lifetime	50,000 hours @ 25°C (50,000 hours @ 77°F)
Operating temp	T _a = -20 to 35°C (T _c max = 60°C) T _a = -4 to 95°F (T _c max = 140 ° F)
IP rating	IP20
Finish	Black Anodized
Cover/lens	25°
Mounting	Surface mounted with recessed pole base point
Power feed	Hardwire tails
Control	Non Dimming (Constant Current)



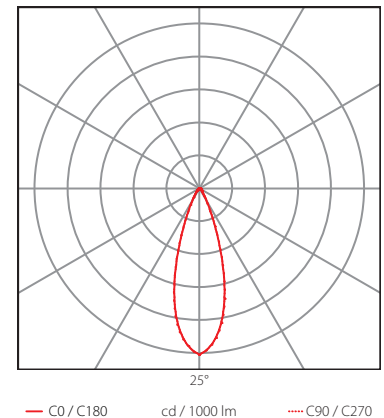
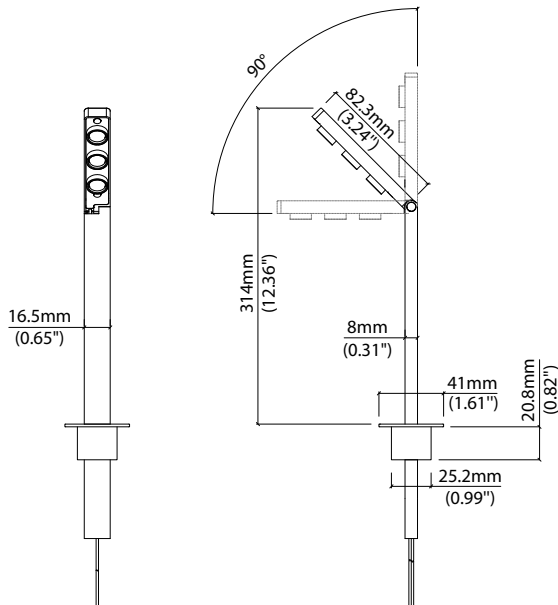
PERFORMANCE DATA @ 3000K

Power consumption	Supply voltage	Supply current
4.2W	8.4V DC	0.5A

Lens 25°

CRI R9 Rf Rg

hcc-line	260lm 62lm/W
-----------------	-----------------



Data derived from independent UKAS/IESNA LM-79-08 accredited testing of production samples.

FIXTURE

Model	Finish	Cover	Grade	Colour (CCT)	IP	Cable Length	Power Feed	Lens	Control Type	Input
FOLIO OEFO	Black Anodised BA	No Cover X	h ^{cc} h	3000K 30 4000K 40	IP20 20	1000mm (39.4in) 1000	Single no sheath tail S00X	25° 25	No Controller 5	Constant Current (DC) a

Code Example:

OEFO	-	BA	-	X	-	h	-	30	-	20	-	1000	-	S00X	-	25	-	5	-	a
FOLIO		Black Anodised		No Cover		h ^{cc}		3000K		IP20		1000mm (39.4in)		Single no sheath tail		25°		No Controller		Constant Current (DC)

LED ENGINE VARIANTS (LED STRIP TYPE)

Luminaire	Output	Lumen/module	W	Spec Doc	Dimension
FOLIO	Low	260	4.2	FOLIO	L285/ø19.2mm L11.2/ø0.76 in

* Performance data: hcc-line, Lens 25°, 3000K