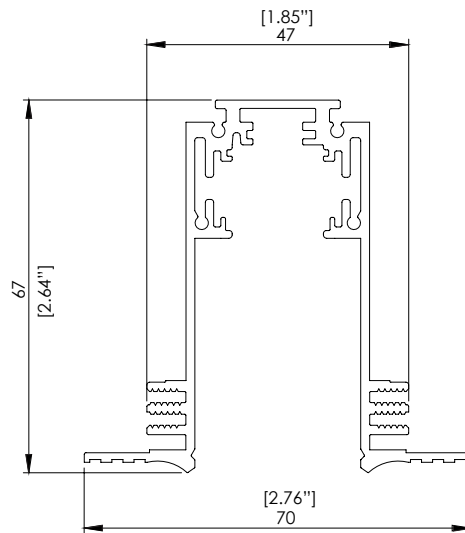


# FineLINE Trimless Profile



FineLine Trimless is a compact and multi-functional aluminium low voltage profile system with a 33mm (1.31") overall width once installed.

This system incorporates a 48v low voltage track with a magnetic snap in connection for the lighting fixtures and an integrated databus for lighting control.



FL003-TL

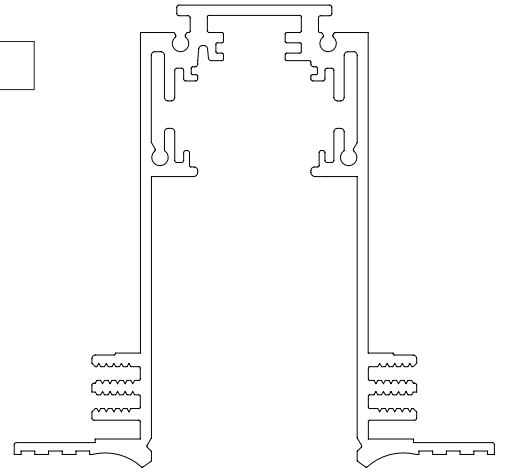
Project Ref: \_\_\_\_\_

Location Ref: \_\_\_\_\_

### FineLINE Trimless Profile

Fixture Order Code:  -  -  -

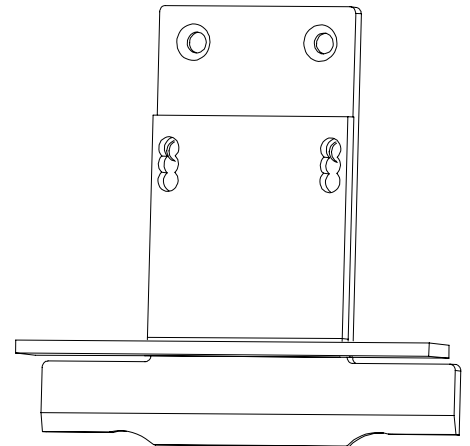
- Profile  
FL002  
FineLINE Trimless
- Length  
1 1 meter  
2 2 meters  
3 3 meters  
X Custom Length
- Body Finish  
WH White  
BK Black  
RAL Custom RAL Colour\*



### Trimless End Cap

Fixture Order Code:  -  -

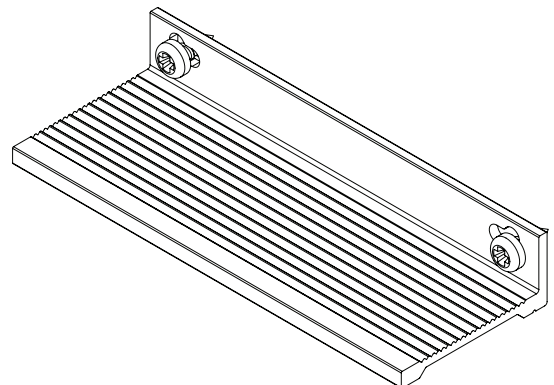
- Profile  
FL001  
FineLINE Pendant/Surface
- End Cap
- Finish  
WH White  
BK Black  
RAL Custom RAL Colour\*



Note: Individual items, be sure to order correct quantity.

### Mounting Bracket For Trimless Profile

Fixture Order Code:  -



Note: Individual items, be sure to order correct quantity. Please order in multiples of 2.

Project Ref: \_\_\_\_\_

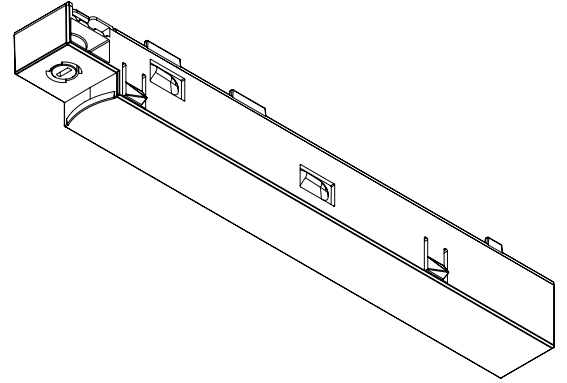
Location Ref: \_\_\_\_\_

## End Feed

Fixture Order Code:  -  -

Direction  
KR Right  
KL Left

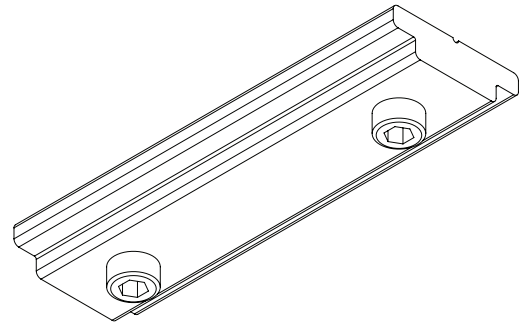
Finish  
WH White  
BK Black



## Reinforcing Bracket

Fixture Order Code:  -  -

Colour  
B Black  
W2 White

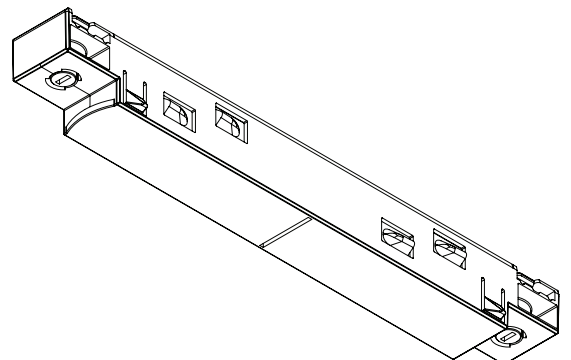


Note: Reinforcing bracket required between each track join.

## Joining Connector

Fixture Order Code:  -  -

Finish  
WH White  
BK Black



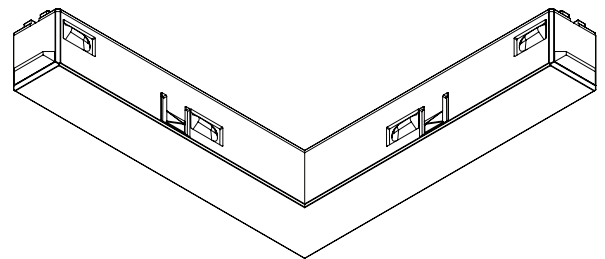
Project Ref: \_\_\_\_\_

Location Ref: \_\_\_\_\_

## Corner Connector

Fixture Order Code:  -  -

Finish  
WH  
BK  
White  
Black



## FineLine Trimless Corner Section

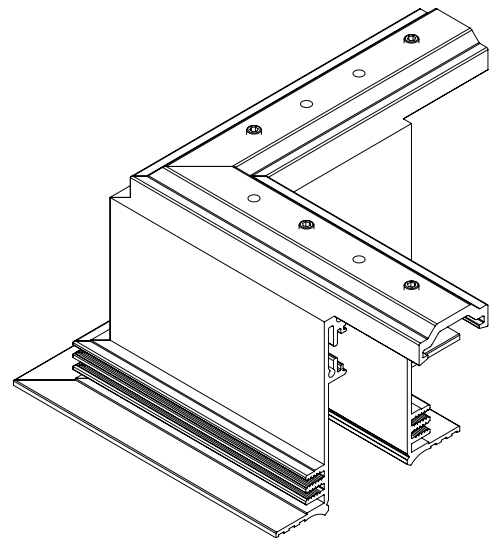
Fixture Order Code:  -  -

FineLINE Profile

Corner Section

Body Finish  
WH  
BK  
RAL

White  
Black  
Custom RAL Colour\*



## Optional Blanking Cover Accessory

Fixture Order Code:  -  -  -

Blanking Cover

Length

1  
2  
3  
X  
1 meter  
2 meters  
3 meters  
Custom Length

Finish  
WH  
BK

White  
Black



## Technical Details

\*Custom RAL code must be specified. Custom RAL colours can increase prices and lead times

Dimming. Whilst Lucent can offer the majority of its luminaires with various dimming options, it remains the responsibility of the specifier/installer to check and ensure compatibility of any control equipment used. Additional cabling may be required depending on the dimming protocol specified.

The exact dimming protocol must be confirmed to allow the selection of suitable drivers or bluetooth devices.

^ Depth indicated is the minimum recess depth for the luminaire with a remote mounted LED driver. Installing a driver through either the luminaire cut-out or installation kit may require additional recess depth, please refer to the relevant luminaire installation instructions for further details. Data correct at time of publishing

First Fix Requirement. Luminaire comprised of fixture body with ceiling trim and installation kit, which is to be fitted into the ceiling once finished. Ensure correct alignment of the installation kit before final assembly (see luminaire installation instructions for details)

IP Rating. Tested from underside of the ceiling

It is the policy of Lucent Lighting to continually review and improve its products and therefore reserve the right to change any details of product or withdraw specifications without prior notice.

Luminaires designed to comply with EN60598 and all other relevant standards.

This specification sheet supersedes all previous versions.

All intellectual property rights pertaining to the product described above and to this document are owned by or licensed to Lucent Lighting Ltd.

We reserve the right to take whatever action is necessary to protect those intellectual property rights.

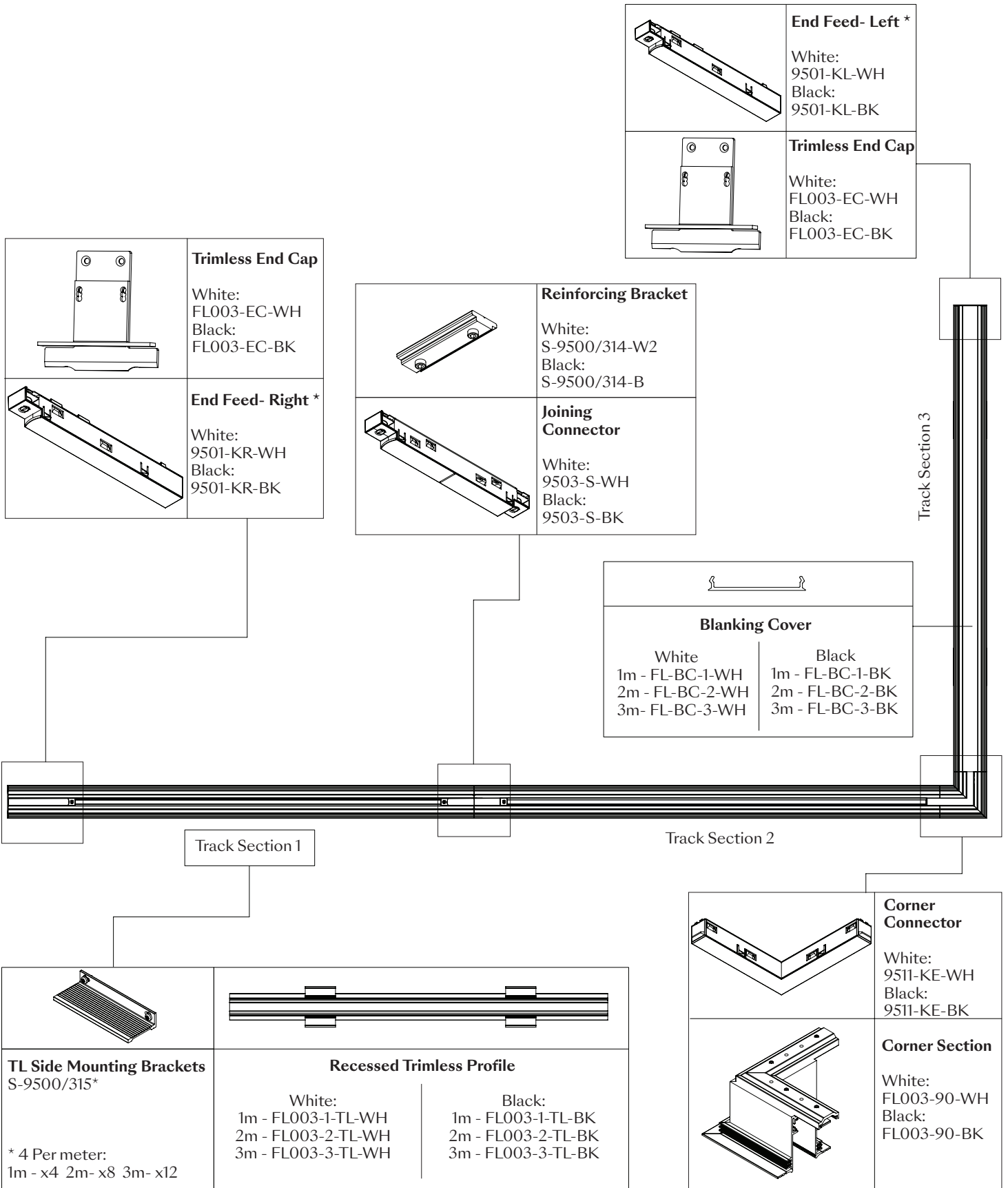
Please notify Lucent Lighting Ltd of any inaccuracies immediately. E&OE

## Compatible Products

The Lucent FineLINE system is compatible with the following product ranges:

- TubeLED Mini LED spotlights
- TubeLED Micro LED spotlights
- TubeLED Nano LED spotlights
- Prospex Line 2, 5 and 10 lamp
- TubeLED Mico Pendant
- TubeLED Mini Pendant
- Prospex Linear

System Builder - FineLINE Trimless



\* End feed only required on one end of profile run. Choose left or right feed depending on where cable entry point is most convenient.