

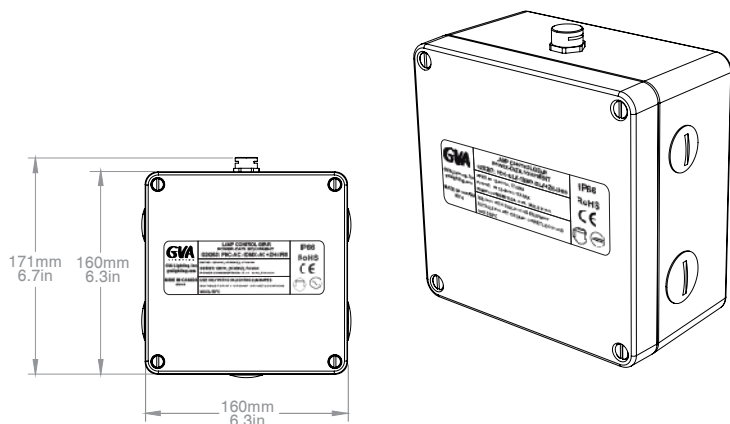
PDC-AC

Power-Data Converter for AC LED Luminaires

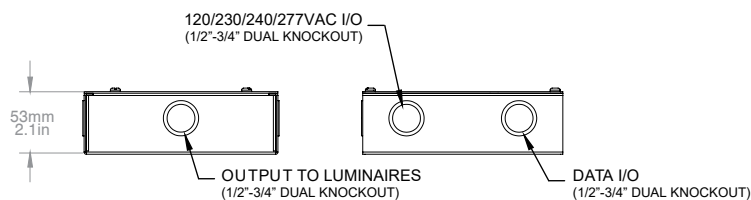
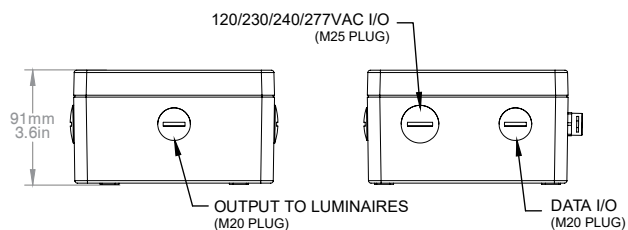
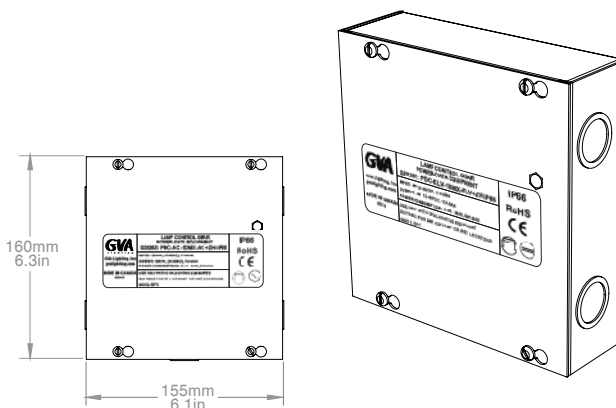
PRODUCT SPECIFICATION SHEET

COMPANY:		DATE:	
PROJECT:		TYPE:	

IP66 MODEL



IP40 MODEL



FEATURES:

- Input: 120/230/240/277VAC
- Output: 120/230/240/277VAC + ZH Data
- Control Input: DMX, DALI or 0~10V¹
- Cast aluminum enclosure, Grey powder coated finish (IP66 version)
- Galvanized steel enclosure (IP40 version)
- Projected lifetime: >50,000hrs @ 30°C
- Terminal blocks included for easy connections
- Cable glands or conduit knockouts provided

ORDERING LOGIC: PDC-AC

ENVIRONMENT	CONTROL	PART NO.	DESCRIPTION
OUTDOOR	DMX1	G20263	POWER-DATA CONVERTER, PDC-AC, 120/230/240/277VAC, 1W+N+PE INPUT, 1DMX, AC+ZH, IP66
	DMX2	G20264	POWER-DATA CONVERTER, PDC-AC, 120/230/240/277VAC, 1W+N+PE INPUT, 2DMX, AC+ZH, IP66
	0~10V ¹	G20266	POWER-DATA CONVERTER, PDC-AC, 120/230/240/277VAC, 1W+N+PE INPUT, DALI/0~10V, AC+ZH, IP66
INDOOR	DMX1	G20267	POWER-DATA CONVERTER, PDC-AC, 120/230/240/277VAC, 1W+N+PE INPUT, 1DMX, AC+ZH, IP40
	DMX2	G20268	POWER-DATA CONVERTER, PDC-AC, 120/230/240/277VAC, 1W+N+PE INPUT, 2DMX, AC+ZH, IP40
	0~10V ¹	G20269	POWER-DATA CONVERTER, PDC-AC, 120/230/240/277VAC, 1W+N+PE INPUT, DALI/0~10V, AC+ZH, IP40

1. Product still in development. Contact factory for details.

METRIC TO NPT CONDUIT ADAPTERS FOR IP66 ENCLOSURES

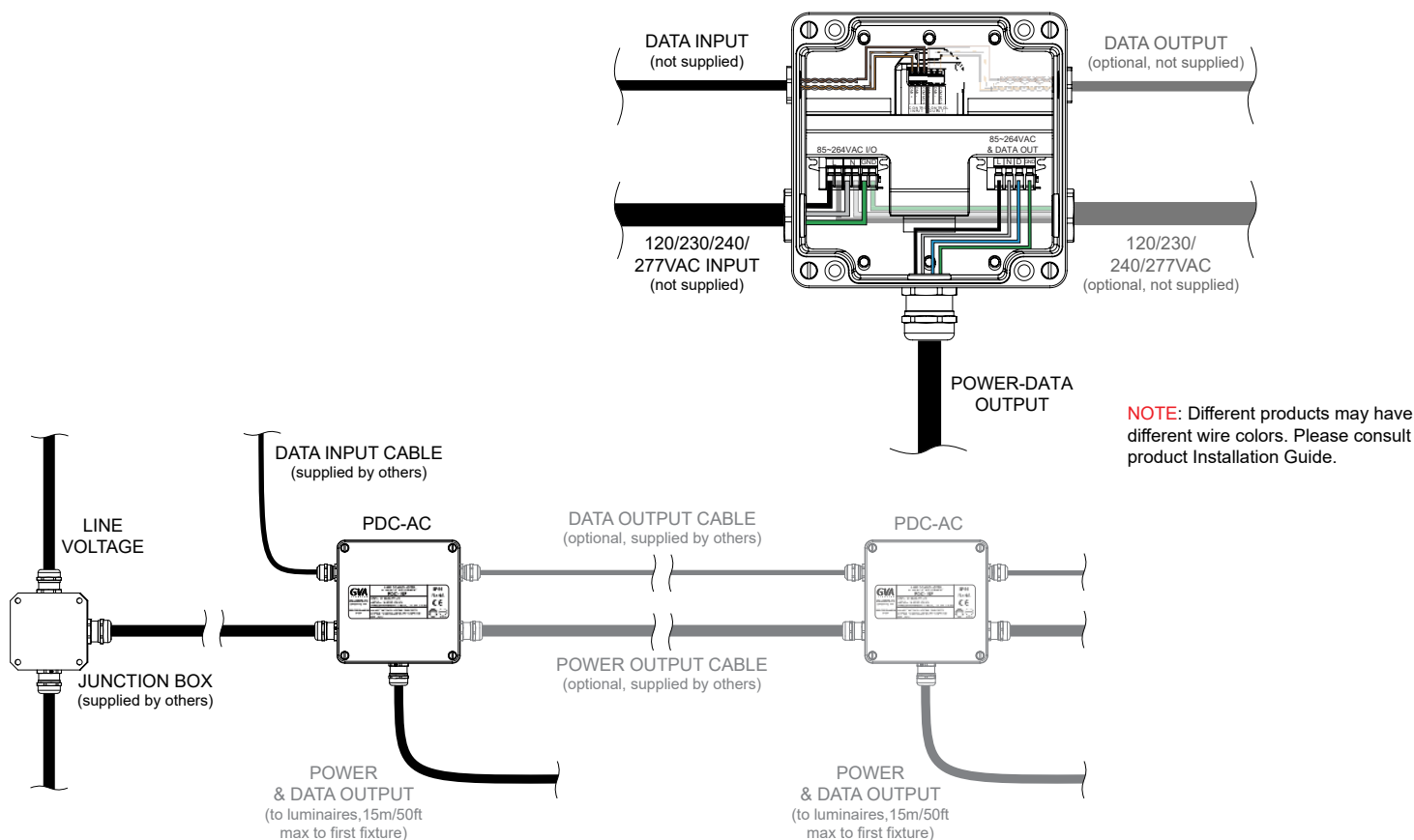
ITEM NUMBERS	DESCRIPTION
241430	ADAPTER, CONDUIT, M20 TO 1/2-NPT, BRASS, NICKEL PLTD
241431	ADAPTER, CONDUIT, M25 TO 3/4-NPT, BRASS, NICKEL PLTD

PDC-AC

Power-Data Converter for AC LED Luminaires

PRODUCT SPECIFICATION SHEET

TYPICAL SYSTEM DIAGRAM: PDC-AC



PRODUCT SPECIFICATIONS: PDC-AC IP66

ELECTRICAL	Operating Voltage	120/230/240/277VAC	
	Output Current Maximum	17A	
	Control Protocols	DMX, DALI, 0~10V ¹	
PHYSICAL	Size (LxWxH)	mm	180x180x100
		inches	7x7x4
	Weight	kg	2.5
		lbs	5.5
	Housing	Powder-coated, cast aluminum enclosure	
	Fixture Connections	Internal terminal blocks	
Rated Operation Temperature Environment	-30°C to +50°C, -22°F to 122°F Dry, Damp or Wet Locations, 0-100% humidity		

PRODUCT SPECIFICATIONS: PDC-AC IP40

ELECTRICAL	Operating Voltage	120/230/240/277VAC	
	Output Current Maximum	17A	
	Control Protocols	DMX, DALI, 0~10V ¹	
PHYSICAL	Size (LxWxH)	mm	177x181x58
		inches	7x7.1x2.3
	Weight	kg	1.5
		lbs	3.3
	Housing	Galvanized steel	
	Fixture Connections	Internal terminal blocks	
Rated Operation Temperature Environment	0°C to +50°C, 32°F to 122°F Dry or Damp Locations only		

1. Product still in development. Contact factory for details.

These figures are subject to change due to further development and innovations of LED light sources.