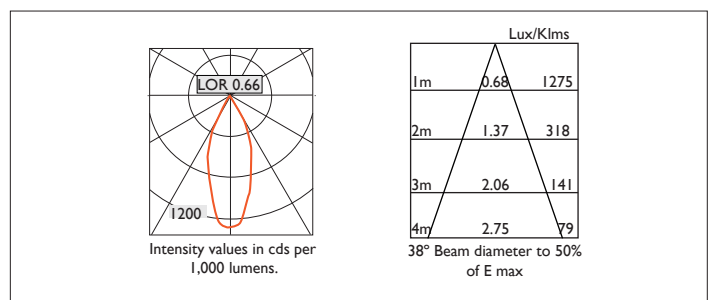
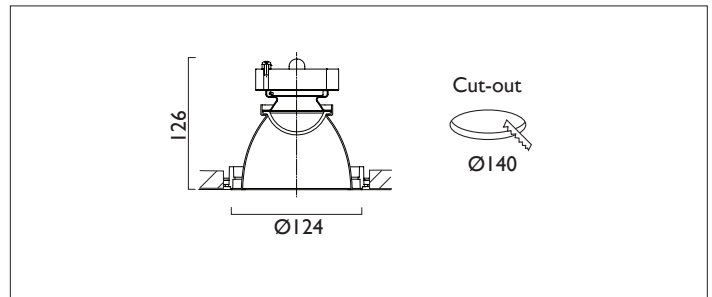
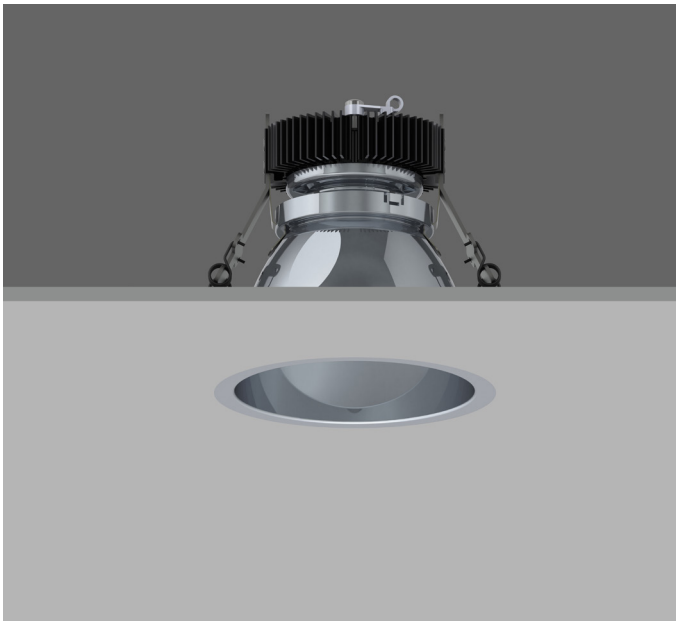




TRIMLESS VP X124

TRIMLESS VP X124 FIXED Round recessed downlighter, designed for plaster skim ceilings with low glare, deep cone, diffused spectro silver reflector and lens optic.
Overall diameter 124mm, cut out 140mm diameter. Xicato LED.



Product Number	C5108/*Engine
Lamp Type	Xicato LED, Up to 2000 lumens
Reflector	Spectro Silver
Beam Angle	38°
Construction	Aluminium / Steel
IP	IP20
Control	Driver

Please Note: For lumen output/power, colour temperature and protocols and appropriate Light Engine should also be specified.

*Light Engine Specification

Xicato XTM L80 50,000 hours >Ra80

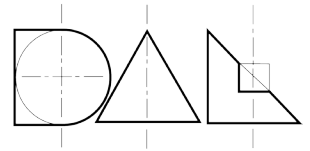
Current (A)	Lumen (lm)	Power (W)	lm/w	Current (mA)
11A	1105 lm	9.3W	119lm/w	350mA
14A	1490 lm	13.6W	110 lm/w	500mA
20A	2000 lm	19.5W	102 lm/w	700mA

2700K 2
3000K 3
3500K 4
4000K 5

0 No Emergency
E Maintained Emergency

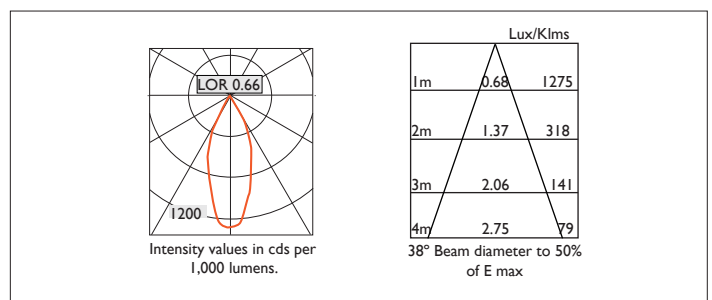
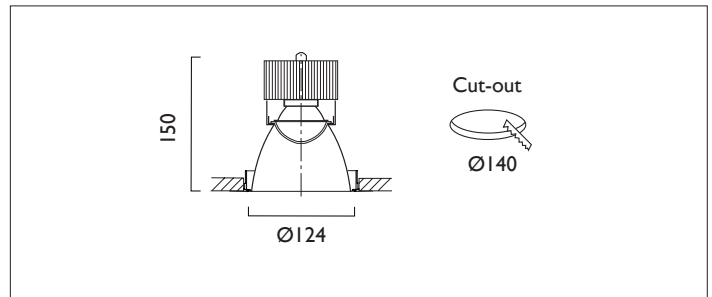
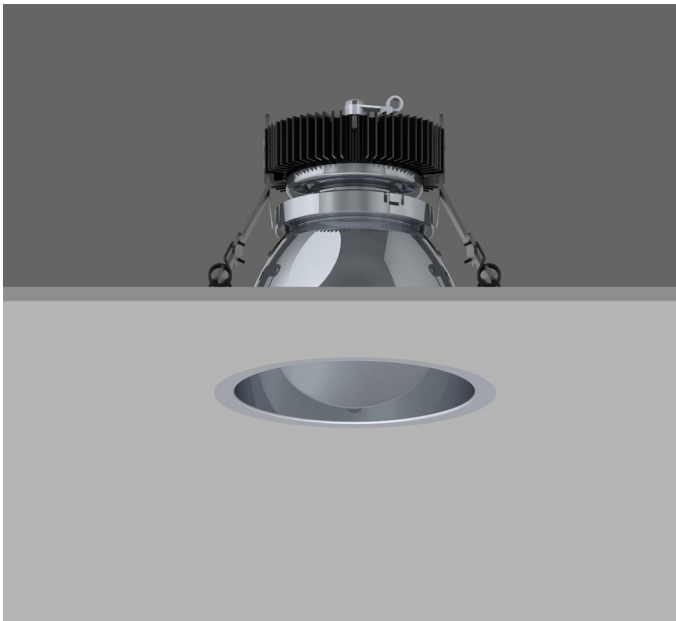
0 Fixed Output
1 1-10V
3 DSI
5 DALI
7 Lead / Trailing
9 Addressable





TRIMLESS VP X124

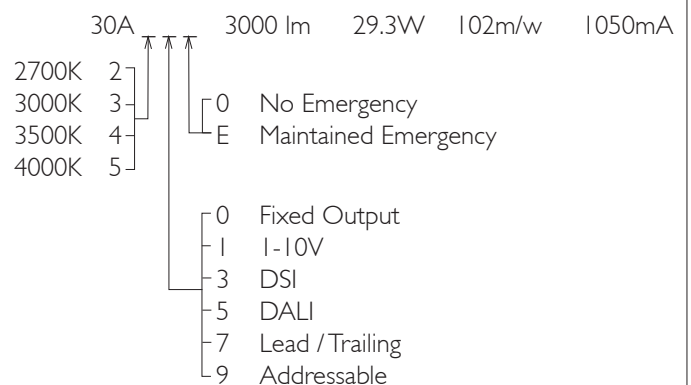
TRIMLESS VP X124 FIXED Round recessed downlighter; designed for plaster skim ceilings with low glare, deep cone, diffused spectro silver reflector and lens optic.
Overall diameter 124mm, cut out 140mm diameter. Xicato LED.



Product Number	F6608/*Engine
Lamp Type	Xicato LED, Up to 3000 lumens
Reflector	Spectro Silver
Beam Angle	38°
Construction	Aluminium / Steel
IP	IP20
Control	Driver

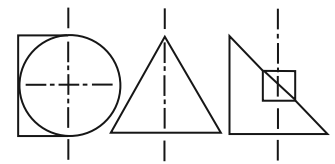
Please Note: For lumen output/power, colour temperature and protocols and appropriate Light Engine should also be specified.

*Light Engine Specification
Xicato XTM L80 50,000 hours >Ra80



Trimless VP X124

Installation and Maintenance Procedure



PRODUCT NUMBER:- C51XX C55XX
C53XX C57XX



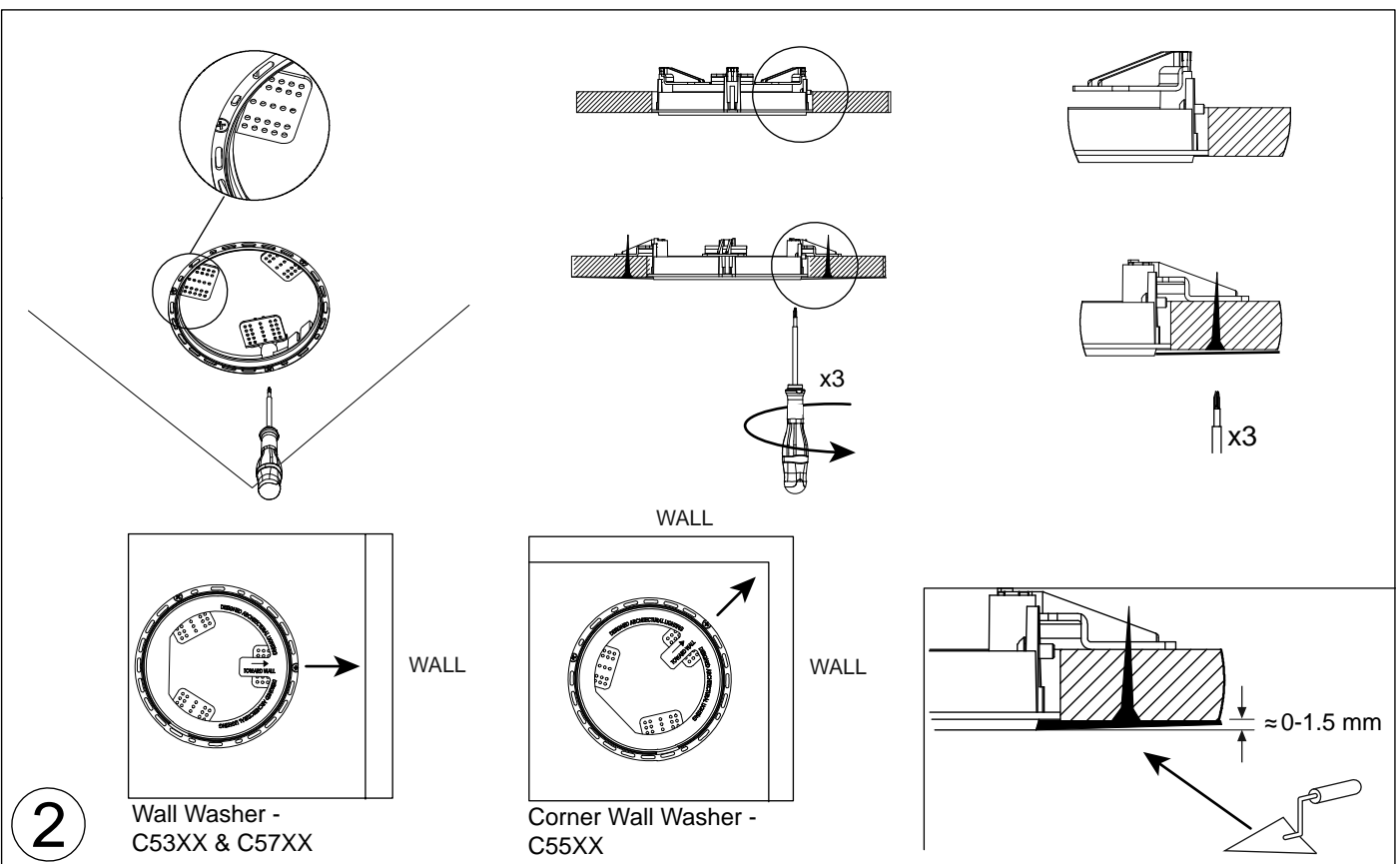
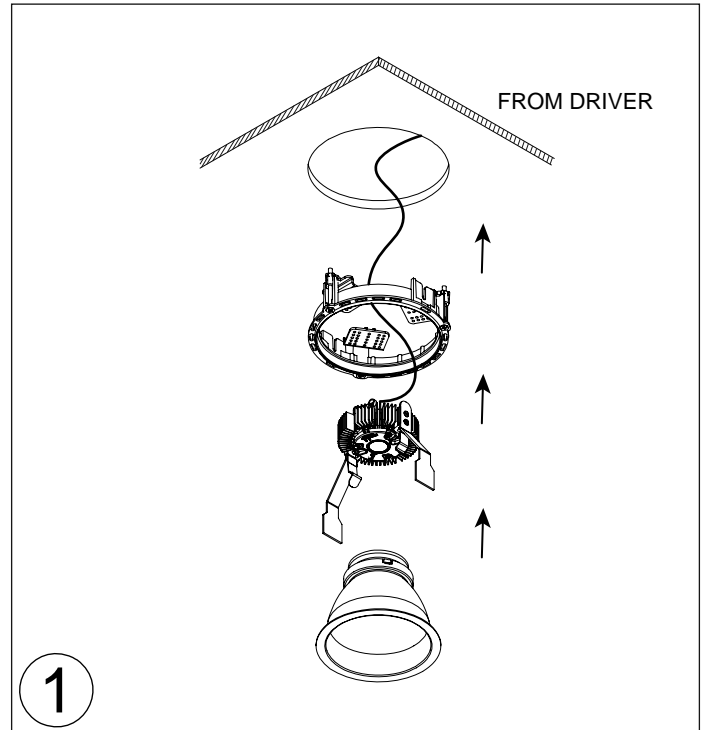
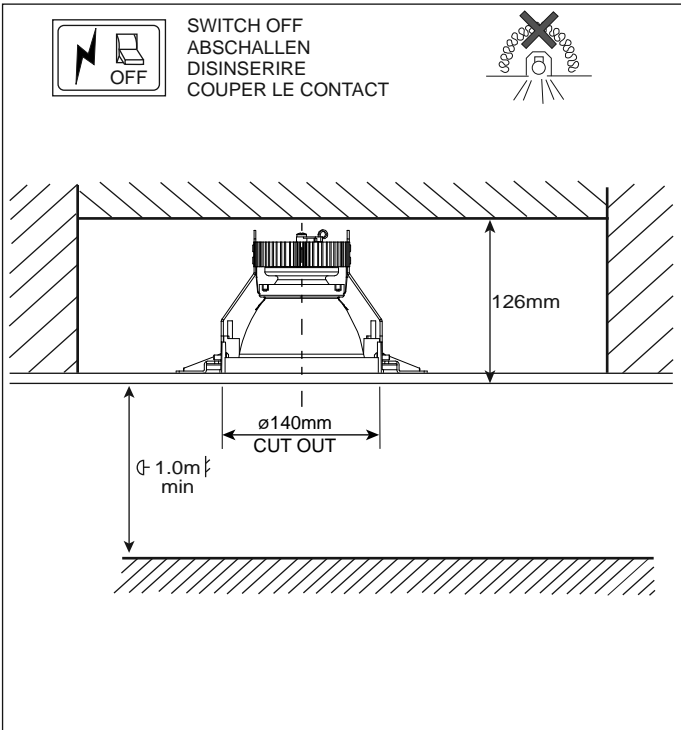
IP20 220-240V~ 50/60 HZ

Country of origin
United Kingdom



ALL LED PRODUCTS REQUIRE THE USE OF
A SUITABLE RATED DRIVER (SUPPLIED)

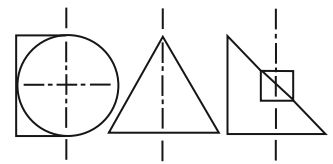
WEE/EA0290TY



- WARNING. SWITCH OFF MAINS BEFORE INSTALLING OR SERVICING
- REPLACE ANY CRACKED GLASS
- RETAIN PROCEDURE FOR FUTURE USE

Trimless VP X124

Installation and Maintenance Procedure



PRODUCT NUMBER:- C51XX C55XX
C53XX C57XX



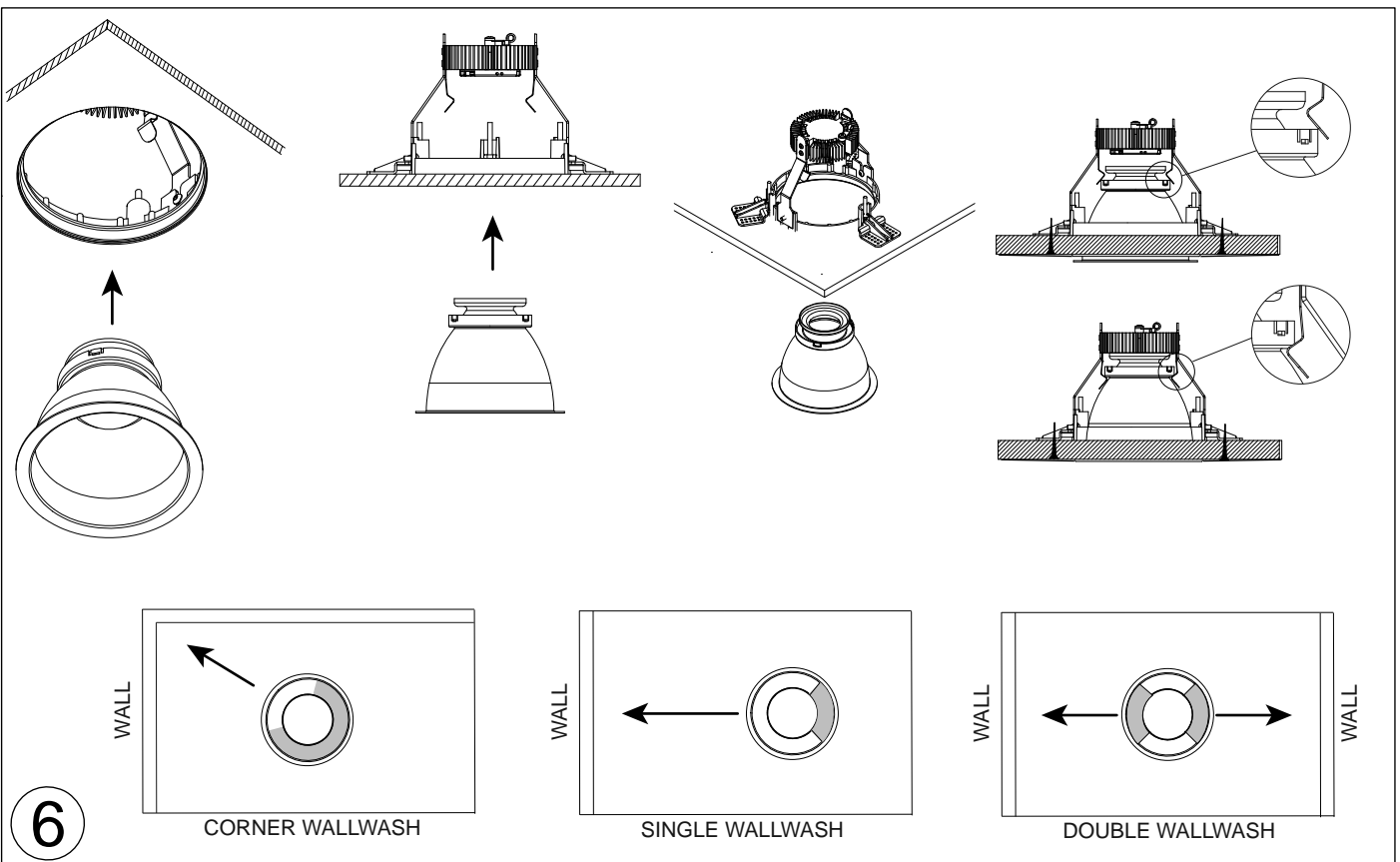
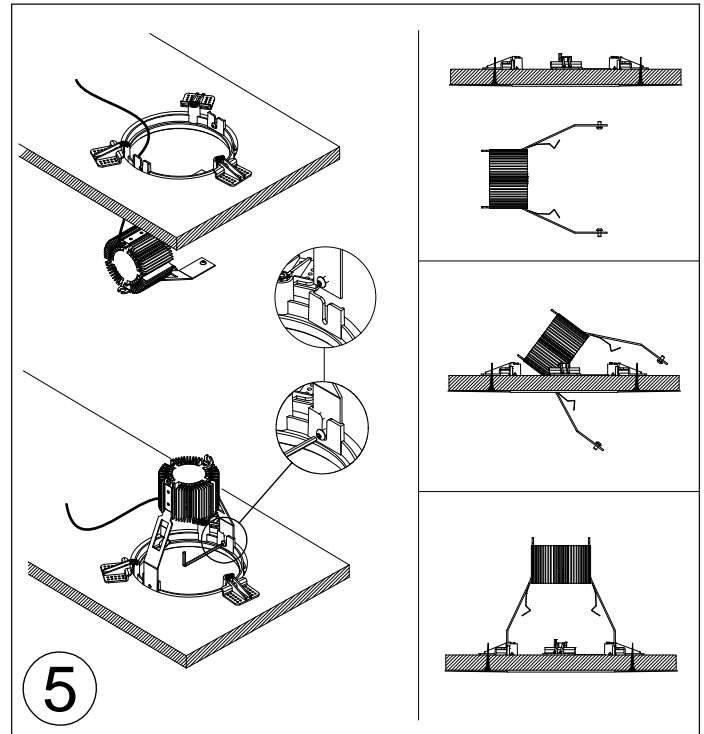
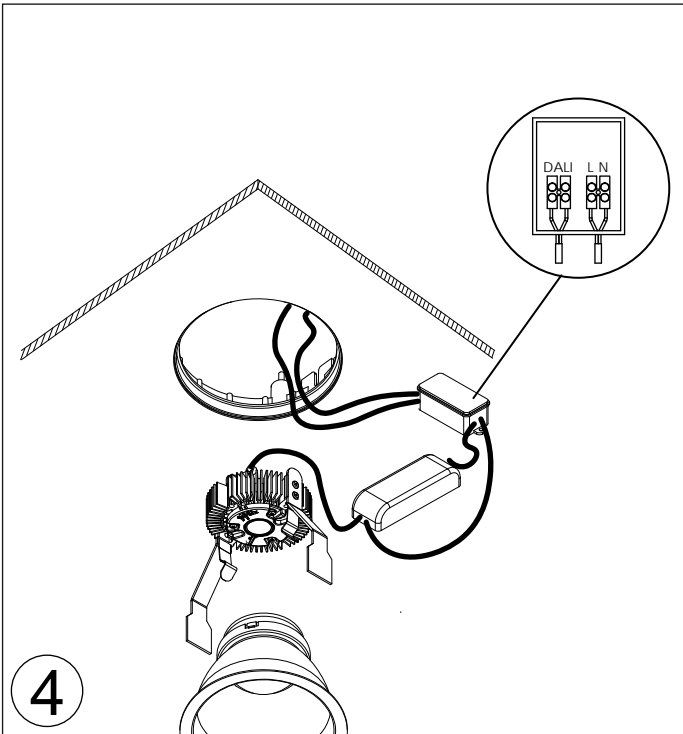
IP20 220-240V~50/60 HZ

Country of origin
United Kingdom



ALL LED PRODUCTS REQUIRE THE USE OF
A SUITABLE RATED DRIVER (SUPPLIED)

WEE/EA0290TY

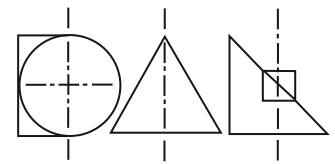


- WARNING. SWITCH OFF MAINS BEFORE INSTALLING OR SERVICING
- REPLACE ANY CRACKED GLASS
- RETAIN PROCEDURE FOR FUTURE USE

IL0001: R2-200716VC

DESIGNED ARCHITECTURAL LIGHTING CO LTD, 6 CONQUEROR COURT, SPILSBY ROAD, HAROLD HILL, ESSEX, RM3 8SB, TELEPHONE +44 (0) 1708 381999 FAX +44 (0) 1780 381585 E-MAIL sales@dal-uk.com

General Installation and Maintenance Procedure for Designed Architectural Lighting Luminaires



General Information

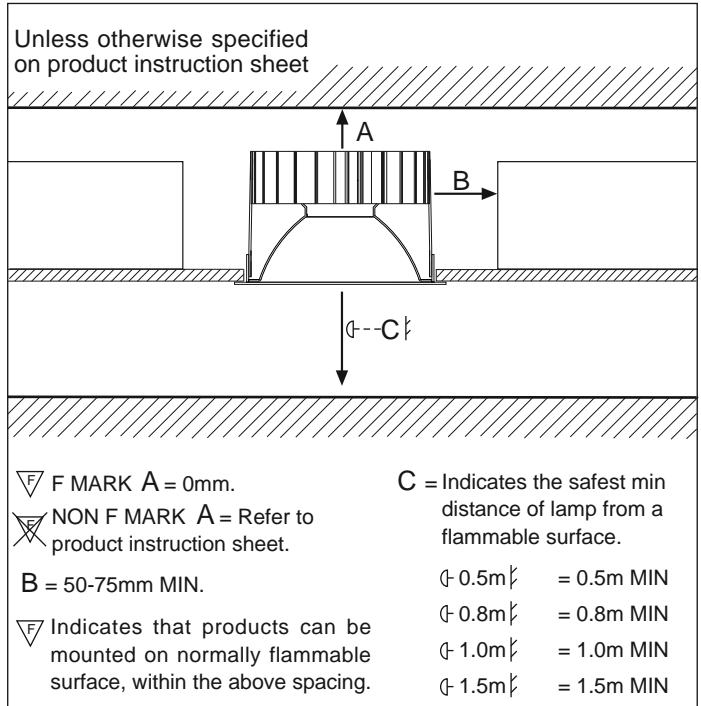
- Follow instruction sheet to ensure safe and reliable operation of product. Retain for future reference.
- The product should NOT be modified. Any modification will negate the safety mark/approvals, and may render the product unsafe.
- DAL accepts no responsibility for modified products. Modifications includes devices fitted between the lamp and lamp holder.
- All replacement component should be identical with those replaced. Disposal to be as manufacturer's instructions.
- DAL track luminaire must only be used on DAL track system or equivalent for which they are designed.

Installation and Supply

- Unless specified otherwise, all products are IP20. DO NOT operate in damp or corrosive situations.
- Disconnect from mains supply before installation, maintenance or replacing fuse or lamp. Care must be taken when drilling holes near existing installation wiring, to avoid electric shock.
- Metal enclosed, Class II and Class III products must not be mounted in contact with or close to Earthed metal work, e.g. structural system of suspended ceilings.
- S.E.L.V. - To be used with Double Insulated. Extra Low Voltage, Safety Isolating Transformer or Driver only.
- When dimming is required, low voltage fittings should only be operated by a specifically rated dimmer.
- DAL accepts no responsibility for the effects of corrosive element in the installation/atmosphere.
- Any closure or ceiling void which prevents normal heat dissipation may cause reduced performance, overheating and risk of fire.

Maintenance

- Only lamps of correct type and rating should be used, and fully and correctly inserted into the lampholder. Manufacturers instructions should be complied with.
- Certain lamp types (Metal Halide / Tungsten Halogen) reach maximum temperature rapidly. Care must be taken when adjusting or relamping.
- Metal Halide Lamps - Replace failed lamps promptly to avoid ballast damage.
- Replace all cracked or damaged safety glass immediately.
- Regular and careful cleaning is required to ensure optimum performance and safety. Designed Architectural Lighting accepts no responsibility for the effect of solvents used when installing, servicing or re-decorating the surround, or for the accumulation of dust and dirt.



<h3>CLASS I</h3> <p>THIS CLASS MUST BE EARTHED</p>	<h3>LEGEND</h3> <p>P/L - BROWN / L / COLOUR RED N - BLUE / N / COLOUR BLACK ⊕ - GREEN / YELLOW / EARTH E / ⊕ / COLOUR GREEN</p> <p>* TEMPERATURE RATING OF CABLE</p>
--	--

<h3>CLASS II </h3> <p>DOUBLE INSULATED</p> <p>DO NOT USE ⊕ TERMINAL</p>	<h3>LEGEND</h3> <p>P/L - BROWN / L / COLOUR RED N - BLUE / N / COLOUR BLACK ⊕ - GREEN / YELLOW / EARTH E / ⊕ / COLOUR GREEN</p> <p>* TEMPERATURE RATING OF CABLE</p>
--	--

<h3>CLASS III III</h3> <p>LOW VOLTAGE</p> <p>DO NOT USE ⊕ TERMINAL</p>	<h3>LEGEND</h3> <p>P/L - BROWN / L / COLOUR RED N - BLUE / N / COLOUR BLACK ⊕ - GREEN / YELLOW / EARTH E / ⊕ / COLOUR GREEN V - 6V / 12V / 24V / 48V AS INDICATED</p> <p>* TEMPERATURE RATING OF CABLE</p>
--	---