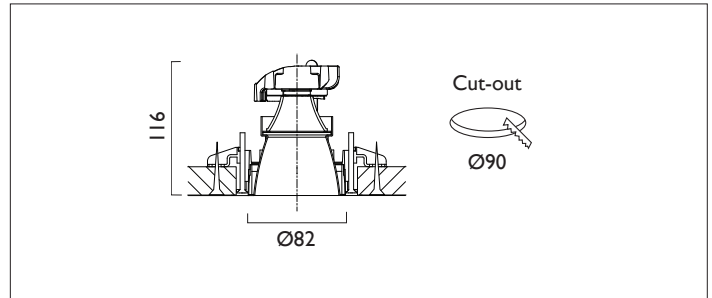
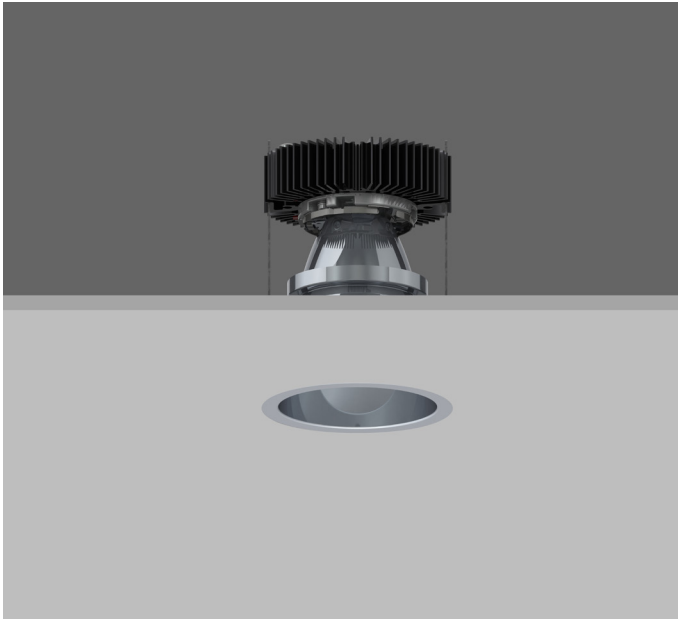




TRIMLESS VP X82

TRIMLESS VP X82 FIXED Round recessed downlighter, designed for plaster skim ceilings with low glare, deep cone, diffused spectro silver reflector and lens optic.
 Overall diameter 82mm, cut out 90mm diameter. Xicato LED.



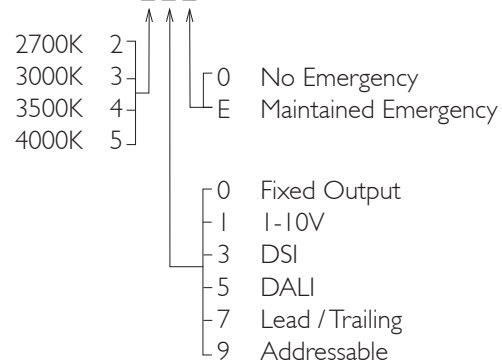
| | |
|----------------|-------------------------------|
| Product Number | C4908/*Engine |
| Lamp Type | Xicato LED, Up to 2000 lumens |
| Construction | Aluminium / Steel |
| IP | IP20 |
| Control | Driver |

Please Note: For lumen output/power, colour temperature and protocols and appropriate Light Engine should also be specified.

*Light Engine Specification

Xicato XTM L80 50,000 hours >Ra80

| | | | | |
|-----|---------|-------|----------|-------|
| 07A | 720 lm | 4.5W | 160 lm/w | 350mA |
| 09A | 965 lm | 6.6W | 146 lm/w | 500mA |
| 13A | 1300 lm | 9.5W | 137 lm/w | 700mA |
| 14A | 1490 lm | 10.6W | 141 lm/w | 500mA |
| 20A | 2000 lm | 15.2W | 131 lm/w | 700mA |

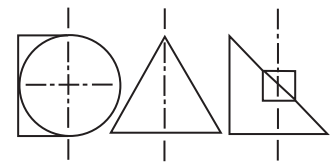


EN 60598-1
 WEE/AE0290TY



Trimless VP X82

Installation and Maintenance Procedure



PRODUCT NUMBER:- C49XX

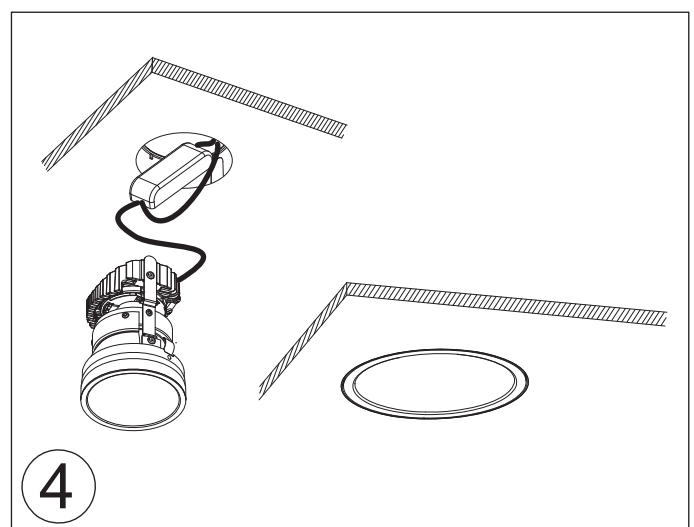
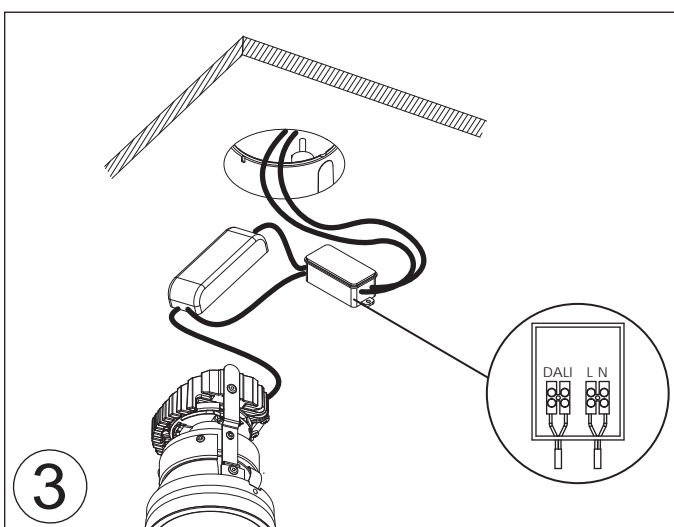
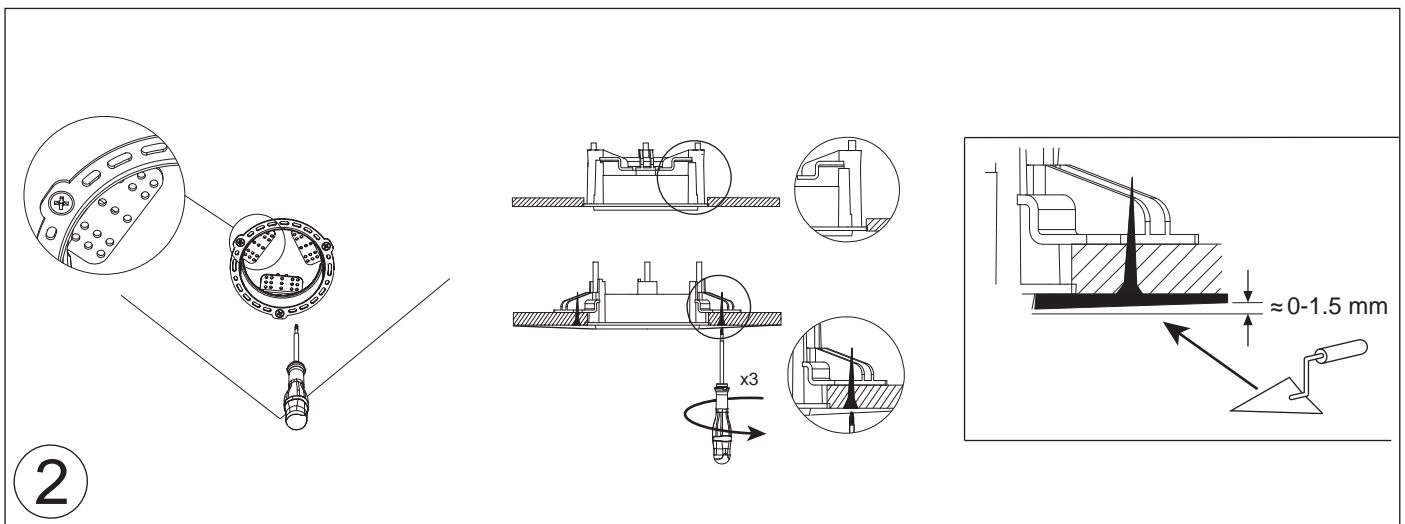
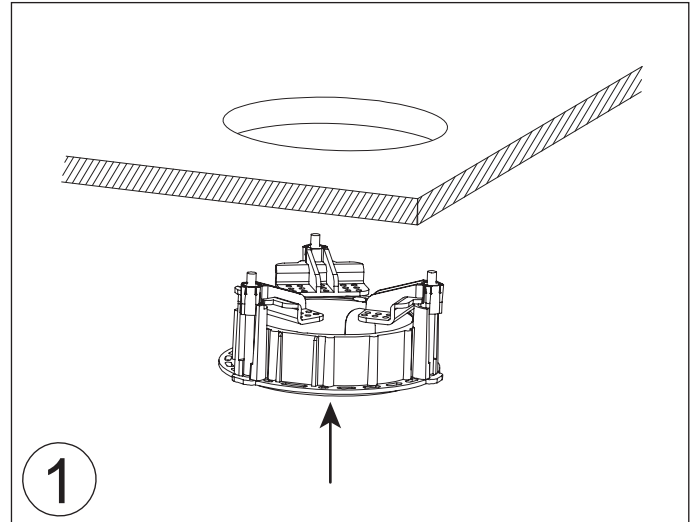
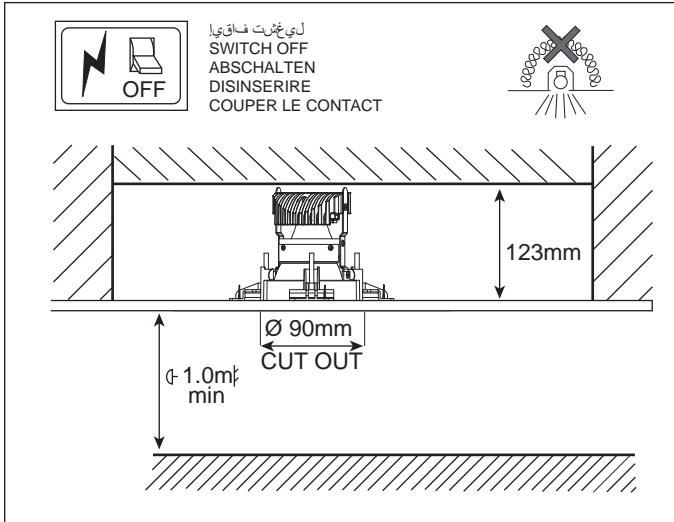


Country of origin
United Kingdom

IP20 220-240V~50/60 HZ

WEE/EA0290TY

ALL LED PRODUCTS REQUIRE THE USE OF
A SUITABLE RATED DRIVER (SUPPLIED)

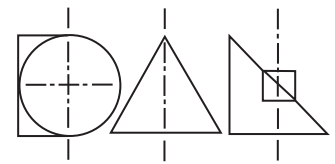


- WARNING. SWITCH OFF MAINS BEFORE INSTALLING OR SERVICING
- REPLACE ANY CRACKED GLASS
- RETAIN PROCEDURE FOR FUTURE USE

IL0002: R2-161116VC

DESIGNED ARCHITECTURAL LIGHTING CO LTD, 6 CONQUEROR COURT, SPILSBY ROAD, HAROLD HILL, ESSEX, RM3 8SB, TELEPHONE +44 (0) 1708 381999 FAX +44 (0) 1780 381585 E-MAIL sales@dal-uk.com

General Installation and Maintenance Procedure for Designed Architectural Lighting Luminaires



General Information

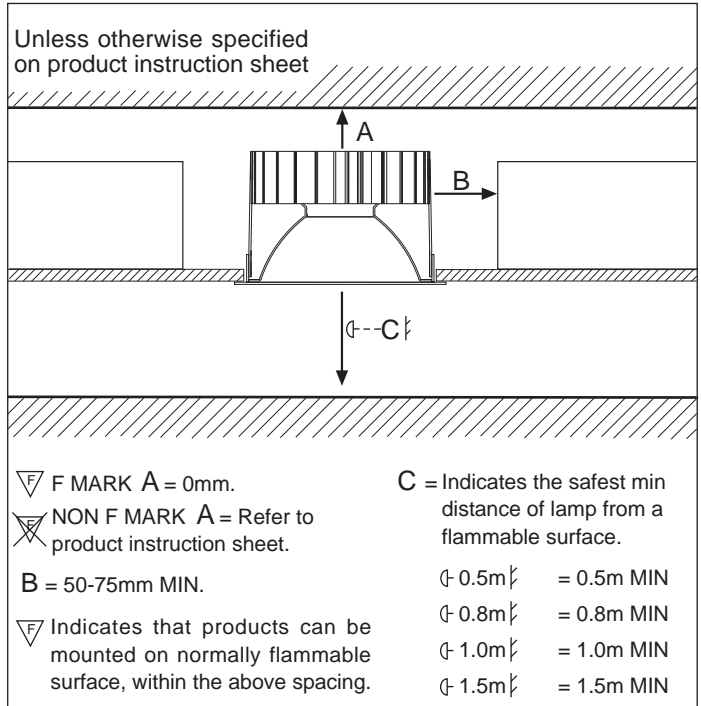
- Follow instruction sheet to ensure safe and reliable operation of product. Retain for future reference.
- The product should NOT be modified. Any modification will negate the safety mark/approvals, and may render the product unsafe.
- DAL accepts no responsibility for modified products. Modifications include devices fitted between the lamp and lamp holder.
- All replacement components should be identical with those replaced. Disposal to be as manufacturer's instructions.
- DAL track luminaire must only be used on DAL track system or equivalent for which they are designed.

Installation and Supply

- Unless specified otherwise, all products are IP20. DO NOT operate in damp or corrosive situations.
- Disconnect from mains supply before installation, maintenance or replacing fuse or lamp. Care must be taken when drilling holes near existing installation wiring, to avoid electric shock.
- Metal enclosed, Class II and Class III products must not be mounted in contact with or close to Earthed metal work, e.g. structural system of suspended ceilings.
- S.E.L.V. - To be used with Double Insulated. Extra Low Voltage, Safety Isolating Transformer or Driver only.
- When dimming is required, low voltage fittings should only be operated by a specifically rated dimmer.
- DAL accepts no responsibility for the effects of corrosive element in the installation/atmosphere.
- Any closure or ceiling void which prevents normal heat dissipation may cause reduced performance, overheating and risk of fire.

Maintenance

- Only lamps of correct type and rating should be used, and fully and correctly inserted into the lampholder. Manufacturers instructions should be complied with.
- Certain lamp types (Metal Halide / Tungsten Halogen) reach maximum temperature rapidly. Care must be taken when adjusting or relamping.
- Metal Halide Lamps - Replace failed lamps promptly to avoid ballast damage.
- Replace all cracked or damaged safety glass immediately.
- Regular and careful cleaning is required to ensure optimum performance and safety. Designed Architectural Lighting accepts no responsibility for the effect of solvents used when installing, servicing or re-decorating the surround, or for the accumulation of dust and dirt.



| | |
|---|--|
| <h3>CLASS I</h3> <p>t = * C</p> <p>THIS CLASS MUST BE EARTHED</p> | <h3>LEGEND</h3> <p>P/L - BROWN / L / COLOUR RED N - BLUE / N / COLOUR BLACK ⊕ - GREEN / YELLOW / EARTH E / ⊕ / COLOUR GREEN</p> <p>* TEMPERATURE RATING OF CABLE</p> |
|---|--|

| | |
|---|--|
| <h3>CLASS II □</h3> <p>DOUBLE INSULATED</p> <p>t = * C</p> <p>DO NOT USE ⊕ TERMINAL</p> | <h3>LEGEND</h3> <p>P/L - BROWN / L / COLOUR RED N - BLUE / N / COLOUR BLACK ⊕ - GREEN / YELLOW / EARTH E / ⊕ / COLOUR GREEN</p> <p>* TEMPERATURE RATING OF CABLE</p> |
|---|--|

| | |
|---|---|
| <h3>CLASS III ⚡</h3> <p>LOW VOLTAGE</p> <p>t = * C</p> <p>DO NOT USE ⊕ TERMINAL</p> | <h3>LEGEND</h3> <p>P/L - BROWN / L / COLOUR RED N - BLUE / N / COLOUR BLACK ⊕ - GREEN / YELLOW / EARTH E / ⊕ / COLOUR GREEN V - 6V / 12V / 24V / 48V AS INDICATED</p> <p>* TEMPERATURE RATING OF CABLE</p> |
|---|---|