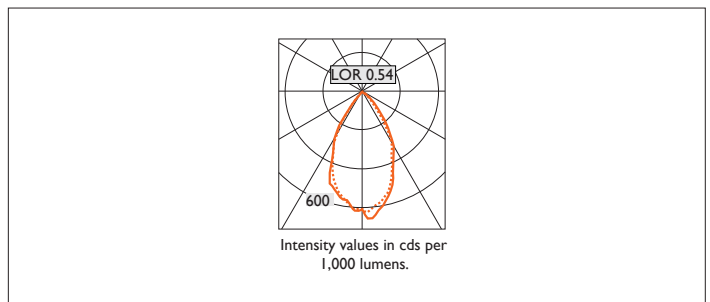
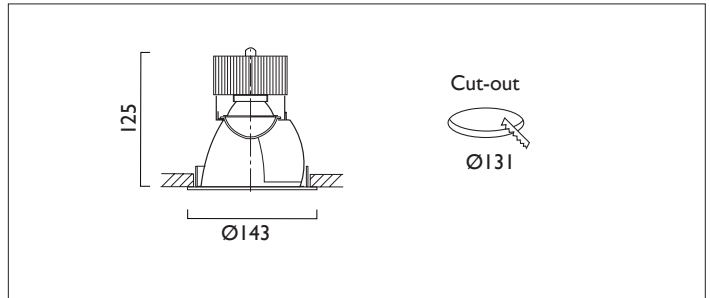




# VP X143 WALLWASHER

VP X143 KICK WALLWASHER Round recessed wallwasher with white ceiling trim and low glare, deep cone, diffused spectro silver reflector and lens optic.  
Overall diameter 143mm, cut out 131mm diameter. Xicato LED.



Product Number	C3108/*Engine
Lamp Type	Xicato LED, Up to 2000 lumens
Construction	Aluminium / Steel
Ceiling Trim	White RAL 9010
IP	IP20
Control	Driver

Please Note: For lumen output/power, colour temperature and protocols and appropriate Light Engine should also be specified.

### \*Light Engine Specification

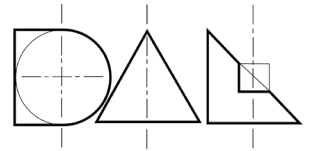
Xicato XTM 50,000 hours >Ra80

11A	1105 lm	7.2W	153 lm/w	350mA
14A	1490 lm	10.6W	141 lm/w	500mA
20A	2000 lm	15.2W	131 lm/w	700mA

2700K	2	<ul style="list-style-type: none"> <li>0 No Emergency</li> <li>E Maintained Emergency</li> </ul>
3000K	3	
3500K	4	
4000K	5	
		<ul style="list-style-type: none"> <li>0 Fixed Output</li> <li>1 1-10V</li> <li>3 DSI</li> <li>5 DALI</li> <li>7 Lead / Trailing</li> <li>9 Addressable</li> </ul>

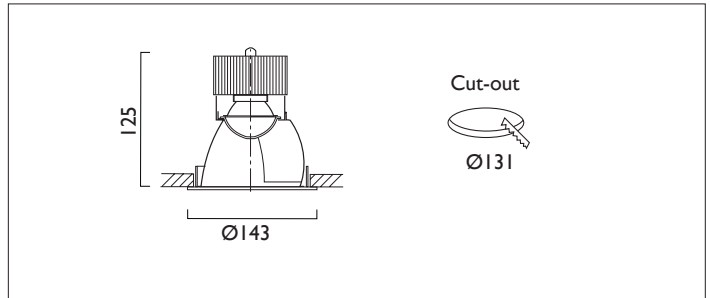
EN 60598-1  
WEE/AE0290TY





# VP X143 IP44 WALLWASHER

VP X143 KICK WALLWASHER Round recessed wallwasher with white ceiling trim and low glare, deep cone, diffused spectro silver reflector and lens optic.  
Overall diameter 143mm, cut out 131mm diameter. Xicato LED.



Product Number	C3208/*Engine
Lamp Type	Xicato LED, Up to 2000 lumens
Construction	Aluminium / Steel
Ceiling Trim	White RAL 9010
IP	IP44
Control	Driver

Please Note: For lumen output/power, colour temperature and protocols and appropriate Light Engine should also be specified.

### \*Light Engine Specification

Xicato XTM 50,000 hours >Ra80

11A	1105 lm	7.2W	153 lm/w	350mA
14A	1490 lm	10.6W	141 lm/w	500mA
20A	2000 lm	15.2W	131 lm/w	700mA

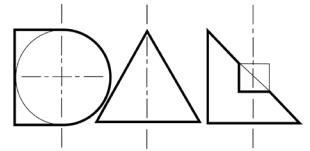
2700K	2	<ul style="list-style-type: none"> <li>0 No Emergency</li> <li>E Maintained Emergency</li> </ul>
3000K	3	
3500K	4	
4000K	5	

0	Fixed Output
1	1-10V
3	DSI
5	DALI
7	Lead / Trailing
9	Addressable

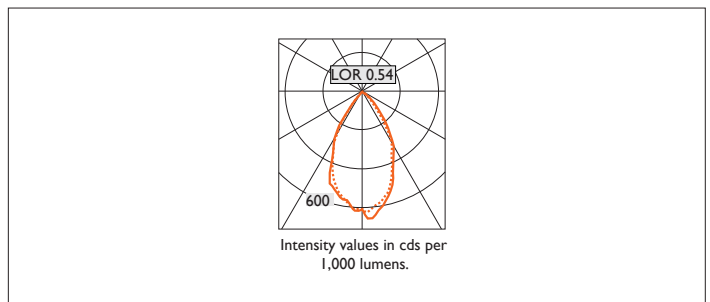
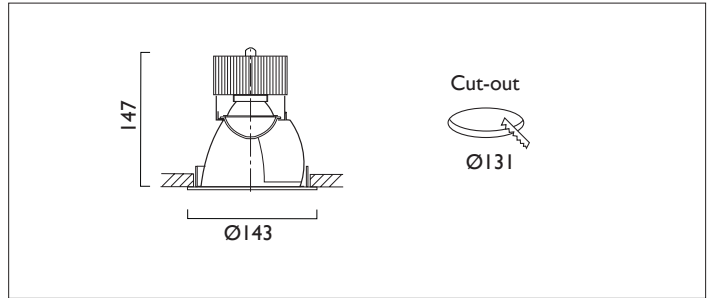
EN 60598-1  
WEE/AE0290TY





# VP X143 WALLWASHER

VP X143 KICK WALLWASHER Round recessed wallwasher with white ceiling trim and low glare, deep cone, diffused spectro silver reflector and lens optic.  
Overall diameter 143mm, cut out 131mm diameter. Xicato LED.



Product Number	F4808/*Engine
Lamp Type	Xicato LED, Up to 3000 lumens
Construction	Aluminium / Steel
Ceiling Trim	White RAL 9010
IP	IP20
Control	Driver

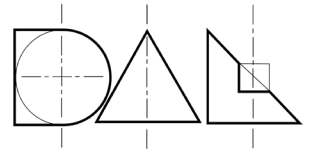
Please Note: For lumen output/power, colour temperature and protocols and appropriate Light Engine should also be specified.

\*Light Engine Specification  
Xicato XTM 50,000 hours >Ra80

30A	3000 lm	25.7W	117 lm/w	1050mA
2700K	2	0	No Emergency	
3000K	3	E	Maintained Emergency	
3500K	4	0	Fixed Output	
4000K	5	1	1-10V	
		3	DSI	
		5	DALI	
		7	Lead / Trailing	
		9	Addressable	

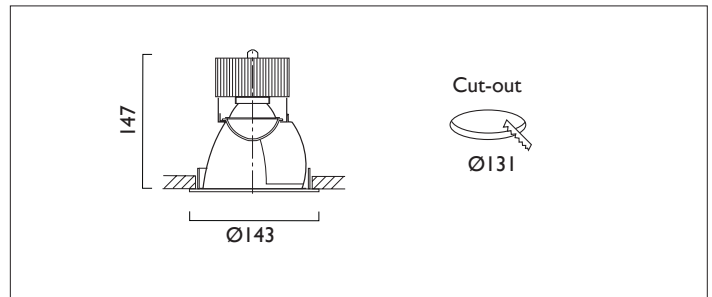
EN 60598-1  
WEE/AE0290TY





# VP X143 IP44 WALLWASHER

VP X143 KICK WALLWASHER Round recessed wallwasher with white ceiling trim and low glare, deep cone, diffused spectro silver reflector and lens optic.  
Overall diameter 143mm, cut out 131mm diameter. Xicato LED.



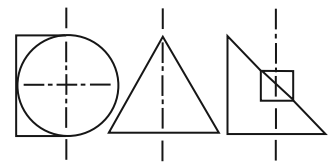
Product Number	F4908/*Engine
Lamp Type	Xicato LED, Up to 3000 lumens
Construction	Aluminium / Steel
Ceiling Trim	White RAL 9010
IP	IP44
Control	Driver

EN 60598-1  
WEE/AE0290TY



# VP X143 Wallwasher

## Installation and Maintenance Procedure



PRODUCT NUMBER:- C31XX (IP20) C37XX (IP20) C39XX (IP20)  
 C32XX (IP44) C38XX (IP44) C40XX (IP44)



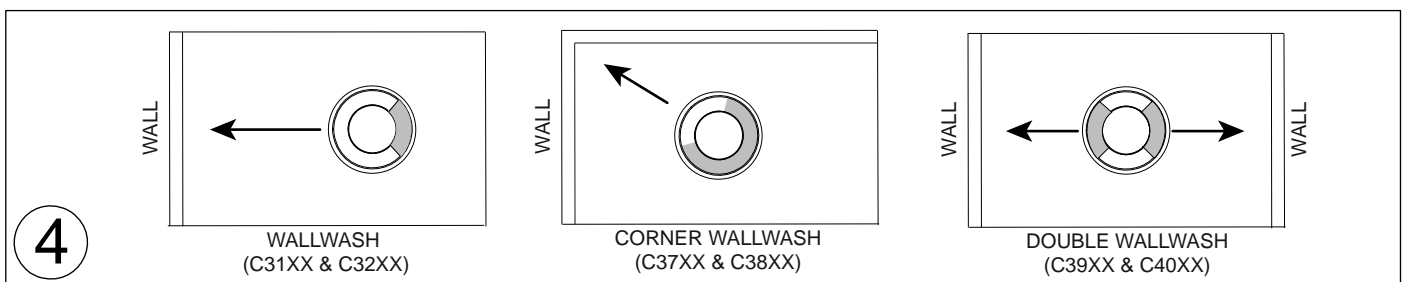
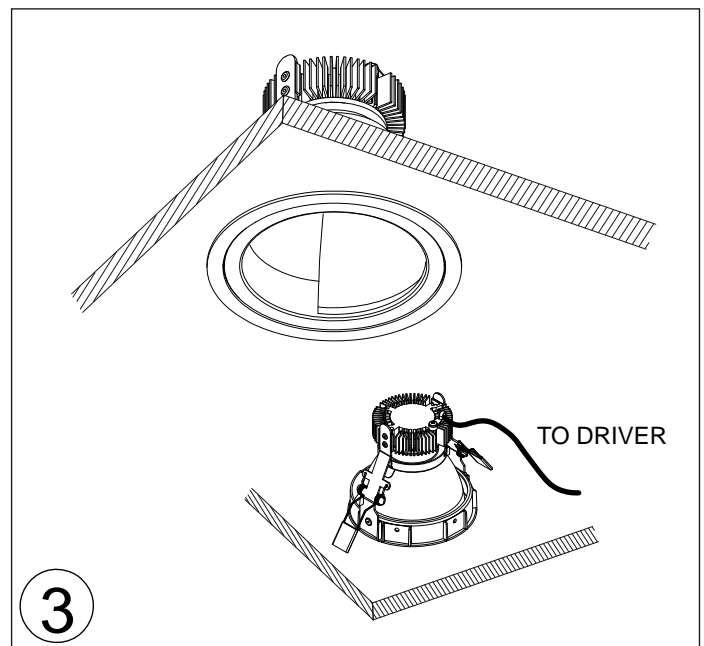
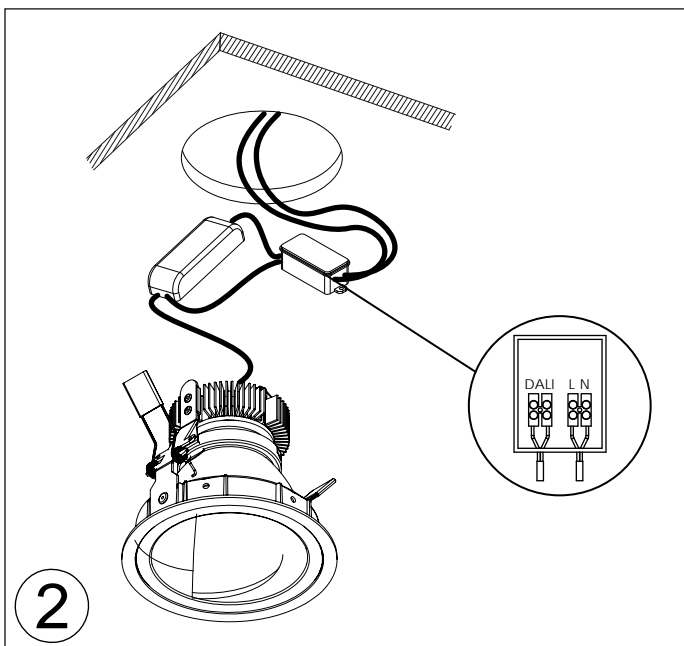
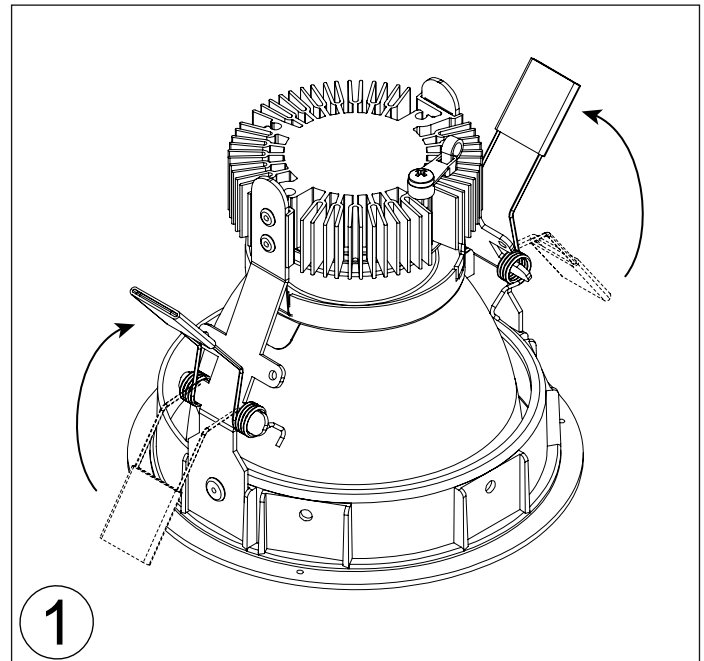
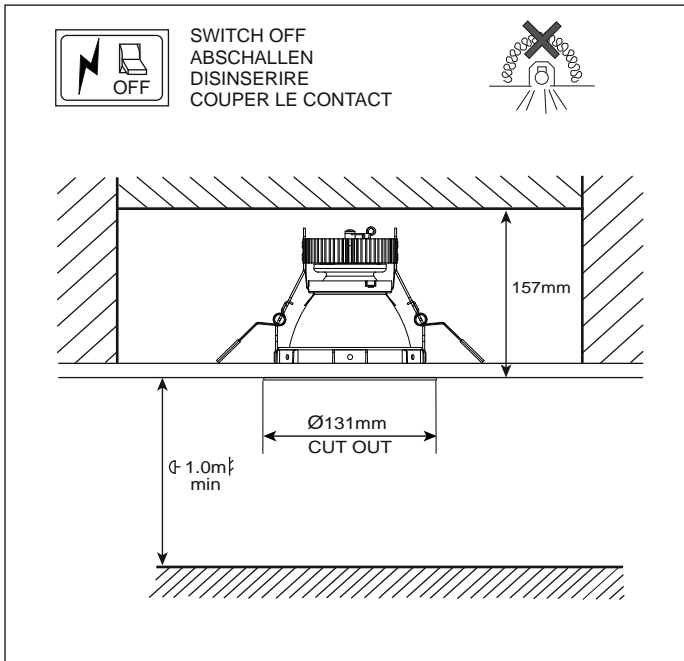
220-240V~ 50/60 HZ

Country of origin  
 United Kingdom

WEE/EA0290TY

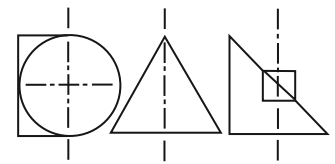


ALL LED PRODUCTS REQUIRE THE USE OF  
 A SUITABLE RATED DRIVER (SUPPLIED)



- WARNING. SWITCH OFF MAINS BEFORE INSTALLING OR SERVICING
- REPLACE ANY CRACKED GLASS
- RETAIN PROCEDURE FOR FUTURE USE

# General Installation and Maintenance Procedure for Designed Architectural Lighting Luminaires



## General Information

- Follow instruction sheet to ensure safe and reliable operation of product. Retain for future reference.
- The product should NOT be modified. Any modification will negate the safety mark/approvals, and may render the product unsafe.
- DAL accepts no responsibility for modified products. Modifications includes devices fitted between the lamp and lamp holder.
- All replacement component should be identical with those replaced. Disposal to be as manufacturer's instructions.
- DAL track luminaire must only be used on DAL track system or equivalent for which they are designed.

## Installation and Supply

- Unless specified otherwise, all products are IP20. DO NOT operate in damp or corrosive situations.
- Disconnect from mains supply before installation, maintenance or replacing fuse or lamp. Care must be taken when drilling holes near existing installation wiring, to avoid electric shock.
- Metal enclosed, Class II and Class III products must not be mounted in contact with or close to Earthed metal work, e.g. structural system of suspended ceilings.
- S.E.L.V. - To be used with Double Insulated. Extra Low Voltage, Safety Isolating Transformer or Driver only.
- When dimming is required, low voltage fittings should only be operated by a specifically rated dimmer.
- DAL accepts no responsibility for the effects of corrosive element in the installation/atmosphere.
- Any closure or ceiling void which prevents normal heat dissipation may cause reduced performance, overheating and risk of fire.

## Maintenance

- Only lamps of correct type and rating should be used, and fully and correctly inserted into the lampholder. Manufacturers instructions should be complied with.
- Certain lamp types (Metal Halide / Tungsten Halogen) reach maximum temperature rapidly. Care must be taken when adjusting or relamping.
- Metal Halide Lamps - Replace failed lamps promptly to avoid ballast damage.
- Replace all cracked or damaged safety glass immediately.
- Regular and careful cleaning is required to ensure optimum performance and safety. Designed Architectural Lighting accepts no responsibility for the effect of solvents used when installing, servicing or re-decorating the surround, or for the accumulation of dust and dirt.

