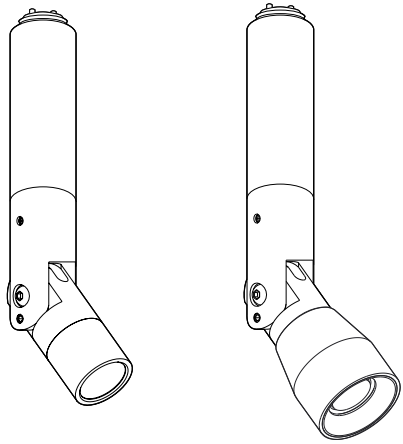


instruction manual

pico 1, 3 and pico zoom

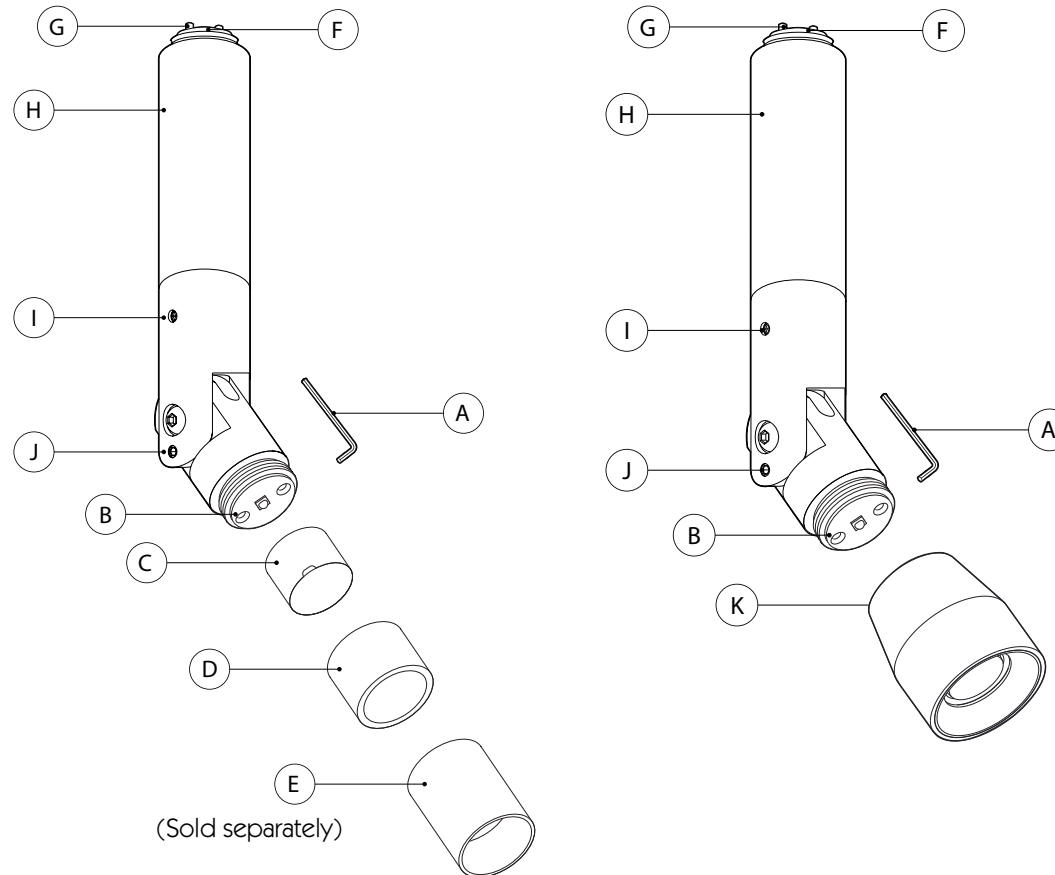


Models shown are the Pico 1 with short snoot and Pico Zoom. The same procedure applies for Pico S1, Pico S1 Zoom, Pico 3 and other snoot options.

IMPORTANT SAFETY INFORMATION

READ ALL INSTRUCTIONS BEFORE USING THESE PRODUCTS. SAVE THESE INSTRUCTIONS FOR LATER REFERENCE.

1. All systems must be installed by a suitably qualified professional only. Installations must conform to national installation and accident prevention regulations.
2. Do not install any fixture closer than 150mm from any combustible material. Do not install these systems in a damp or wet location.
3. To reduce the risk of fire and burns, do not install these systems where exposed bare conductors can be shorted or contact any conductive materials. Do not conceal or extend exposed conductors through a building wall.
4. Ensure all connections are tight. Bad connections can cause overheating, arcing and a potential fire risk.
5. Always use appropriate optics and ensure they are fitted securely.
6. Install and use only as described in this Precision Lighting manual.
7. Use only Precision Lighting recommended accessories.
8. Ensure that the luminaire is switched off at mains supply before installing or removing.
9. Luminaires may be hot, allow to cool before touching.
10. These are LED luminaires, they must be connected to an appropriate PSU.
11. Access to serviceable electrical components should be kept available for maintenance purposes.
12. Regular cleaning of these products is important. Switch off at mains supply and allow to cool before touching. Clean fittings with a soft damp cloth and allow to dry before reconnecting power supply.



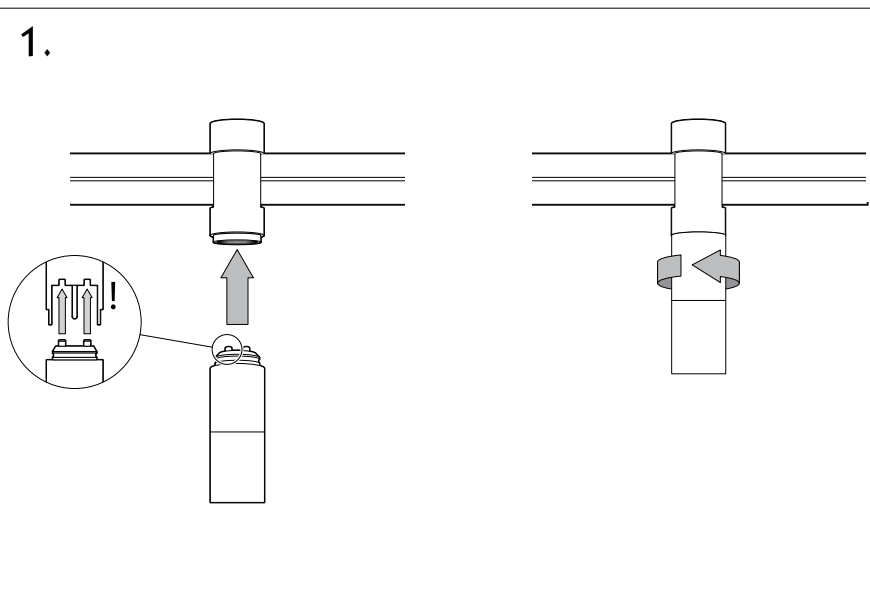
KEY PRODUCT FEATURES

- A. allen key
- B. pcb
- C. optic
- D. short snoot
- E. long snoot
- F. jack plug
- G. orientation pin
- H. jack plug collar
- I. pan lock
- J. tilt lock
- K. zoom snoot

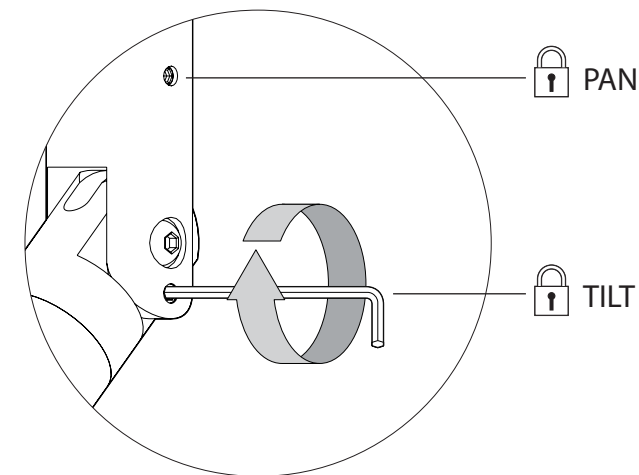
1. Installing the luminaire using the jack plug connector

- Insert jack plug into monopoint or track system ensuring locking screws are aligned.
- Rotate jack plug collar until luminaire is securely fastened.

NOTE basis track shown, actual system may vary.



2.



2. Locking the luminaire in Pan and Tilt

- Adjust the luminaire to desired position.
- Lock luminaire position using 2mm Allen key provided.

NOTE only adjust luminaire position when unlocked.

3. Removing the snoot

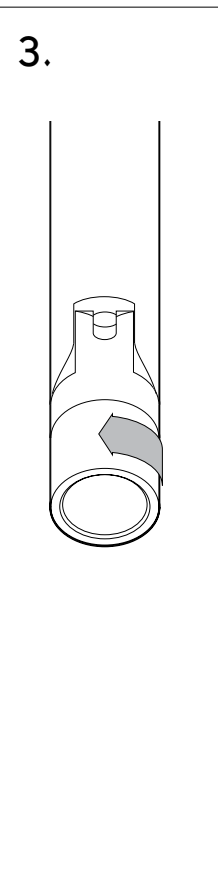
CAUTION the luminaire may be extremely hot. Allow to cool before touching.

- Unscrew cap anti-clockwise to remove.

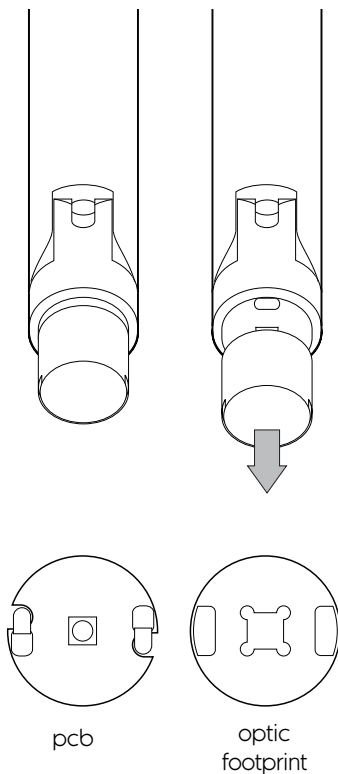
4. Changing the optic

NOTE skip this step if only swapping snoot.

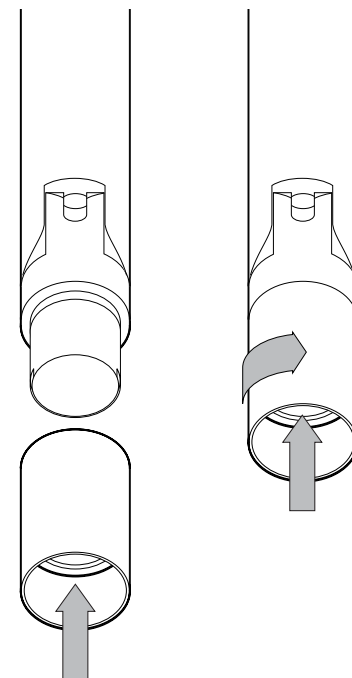
- Remove the optic with a sharp pull. Do not twist the optic during removal.
- Note the detail on the underside of the optic. The 2 side cavities on the optic must be placed over the solder pads of the PCB
- Press the optic onto the PCB and hold for 10 seconds.



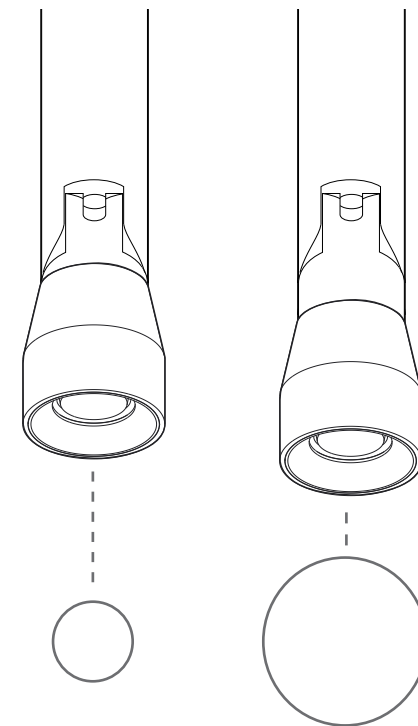
4.



5.



6.



5. Attaching snoot

- Slide the new snoot over the optic.
- Press the optic down whilst screwing the cap on clockwise.
- Do not overtighten.

6. Adjusting the beam angle (zoom only)

- Gently pull the head of the fixture outwards in order to widen the beam.
- Gently push the head back towards the fixture in order to make the beam narrower.