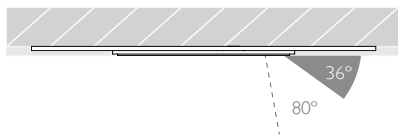
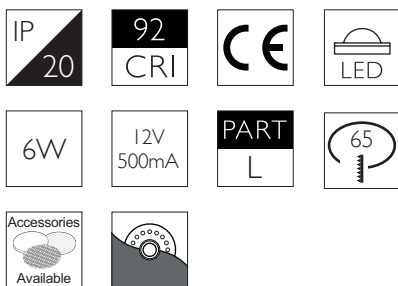


Glare Diagram



Cut Off: 36°

Glare Comfort Cut Off: 80°



Technical Description

Minimo 11 Fixed is a recessed LED luminaire providing high performance accent lighting from a compact source with minimal glare. Minimo 11 is perfect for use in colour-critical applications with 92CRI delivered from a single source LED module and available in two colour temperatures as standard. Tool-less, site changeable beam angles allow flexibility in varying environments. Machined from 6063-T6 aluminium, Minimo 11 Fixed features a trimless bezel for a discreet appearance and an interchangeable chamfered aperture available in three finishes for complete aesthetic integration. Minimo 11 Fixed delivers a lumen package of 513lm at 6W.

Mechanical

Category Interior use only IP20
Material Machined Aluminium
Configuration Trimless | Chamfered Aperture
Cutout \varnothing 65mm
Ceiling Thickness 5mm min.
Ceiling Void 20mm above module
Weight 255g

Finishes

Aperture Finishes Black | White | Satin Brass | *

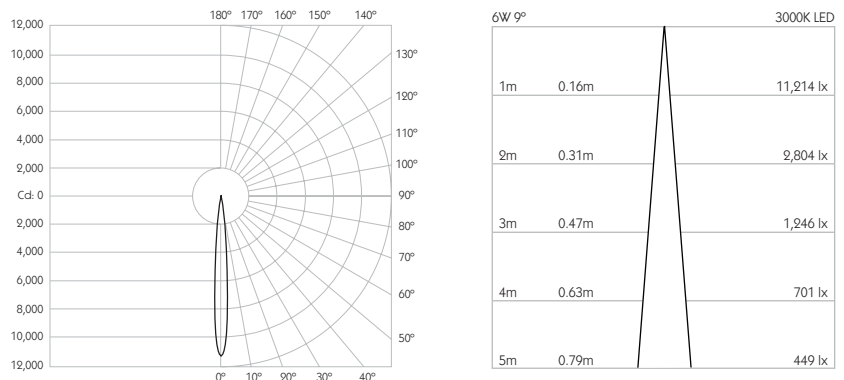
* Please enquire as to the availability of non-standard finishes

Optical

System Power 6W
Module Output 513lm**
Absolute Output 506lm**
LOR 99%
Glare Cut Off 36°
Glare Comfort Cut Off 80°
Colour Temperature 2700K | 3000K
CRI 92 Typ
TM-30 Rf: 90 Rg: 99
Beam Angle 9°
Gear Type Dimmable Options Available
Gear Location Remote

** Photometry shown is correct for 3000K module. Please enquire for 2700K module output.

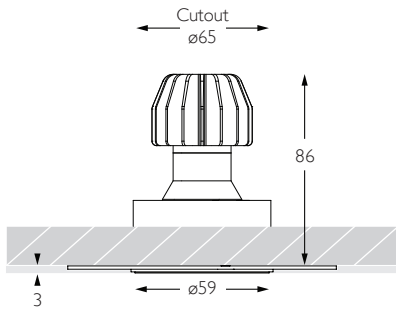
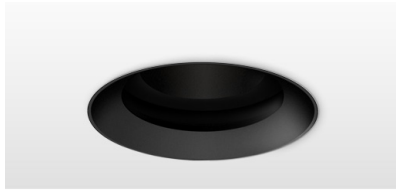
Product Photometry independently tested in accordance with LM-79



Luminaire Code	Aperture Finish	CCT	CRI	Beam Angle														
RCT-605	<table border="1"> <tr><td>BK</td><td>Black</td></tr> <tr><td>WH</td><td>White</td></tr> <tr><td>SB</td><td>Satin Brass</td></tr> </table>	BK	Black	WH	White	SB	Satin Brass	<table border="1"> <tr><td>27</td><td>2700K</td></tr> <tr><td>30</td><td>3000K</td></tr> </table>	27	2700K	30	3000K	<table border="1"> <tr><td>92</td><td>92 CRI</td></tr> </table>	92	92 CRI	<table border="1"> <tr><td>09</td><td>9° Ultra Narrow Spot</td></tr> </table>	09	9° Ultra Narrow Spot
BK	Black																	
WH	White																	
SB	Satin Brass																	
27	2700K																	
30	3000K																	
92	92 CRI																	
09	9° Ultra Narrow Spot																	

RCT-605	-	-	92	09
---------	---	---	----	----

NARROW SPOT | TRIMLESS

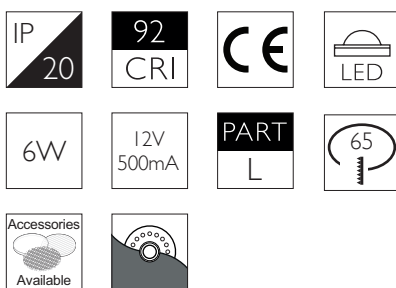


Glare Diagram



Cut Off: 36°

Glare Comfort Cut Off: 80°



Technical Description

Minimo 11 Fixed is a recessed LED luminaire providing high performance accent lighting from a compact source with minimal glare. Minimo 11 is perfect for use in colour-critical applications with 92CRI delivered from a single source LED module and available in two colour temperatures as standard. Tool-less, site changeable beam angles allow flexibility in varying environments. Machined from 6063-T6 aluminium, Minimo 11 Fixed features a trimless bezel for a discreet appearance and an interchangeable chamfered aperture available in three finishes for complete aesthetic integration. Minimo 11 Fixed delivers a lumen package of 513lm at 6W.

Mechanical

Category Interior use only IP20

Ceiling Thickness 5mm min.

Material Machined Aluminium

Ceiling Void 20mm above module

Configuration Trimless | Chamfered Aperture

Weight 255g

Cutout 65mm

Finishes

Aperture Finishes Black | White | Satin Brass | *

* Please enquire as to the availability of non-standard finishes

Optical

System Power 6W

Colour Temperature 2700K | 3000K

Module Output 513lm**

CRI 92 Typ

Absolute Output 504lm**

TM-30 Rf: 90 Rg: 99

LOR 98%

Beam Angle 11°

Glare Cut Off 36°

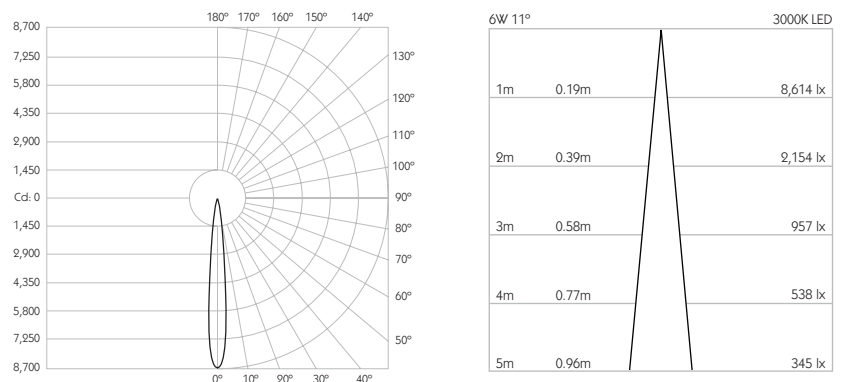
Gear Type Dimmable Options Available

Glare Comfort Cut Off 80°

Gear Location Remote

** Photometry shown is correct for 3000K module. Please enquire for 2700K module output.

Product Photometry independently tested in accordance with LM-79



Configuration

Luminaire Code

RCT-605

Aperture Finish

BK	Black
WH	White
SB	Satin Brass

CCT

27	2700K
30	3000K

CRI

92

92 CRI

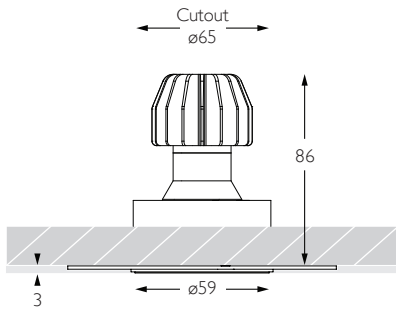
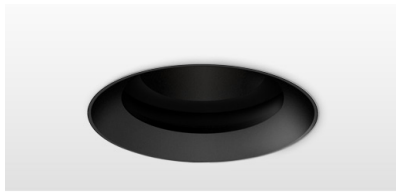
Beam Angle

11

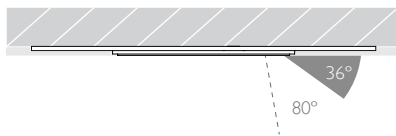
11° Narrow Spot

RCT-605	-	-	92	11
---------	---	---	----	----

SPOT | TRIMLESS

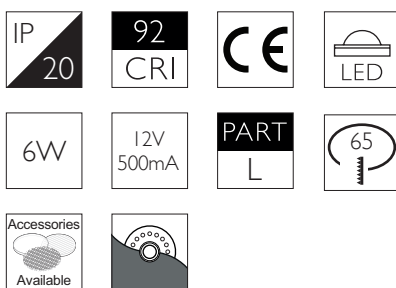


Glare Diagram



Cut Off: 36°

Glare Comfort Cut Off: 80°



Technical Description

Minimo 11 Fixed is a recessed LED luminaire providing high performance accent lighting from a compact source with minimal glare. Minimo 11 is perfect for use in colour-critical applications with 92CRI delivered from a single source LED module and available in two colour temperatures as standard. Tool-less, site changeable beam angles allow flexibility in varying environments. Machined from 6063-T6 aluminium, Minimo 11 Fixed features a trimless bezel for a discreet appearance and an interchangeable chamfered aperture available in three finishes for complete aesthetic integration. Minimo 11 Fixed delivers a lumen package of 513lm at 6W.

Mechanical

Category Interior use only IP20

Ceiling Thickness 5mm min.

Material Machined Aluminium

Ceiling Void 20mm above module

Configuration Trimless | Chamfered Aperture

Weight 255g

Cutout 65mm

Finishes

Aperture Finishes Black | White | Satin Brass | *

* Please enquire as to the availability of non-standard finishes

Optical

System Power 6W

Colour Temperature 2700K | 3000K

Module Output 513lm**

CRI 92 Typ

Absolute Output 506lm**

TM-30 Rf: 90 Rg: 99

LOR 99%

Beam Angle 15°

Glare Cut Off 36°

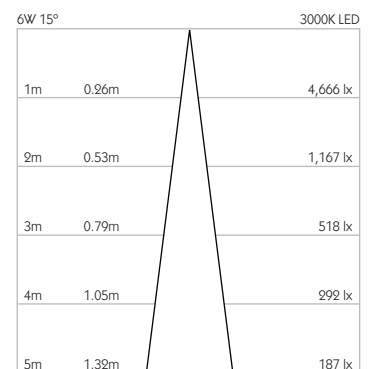
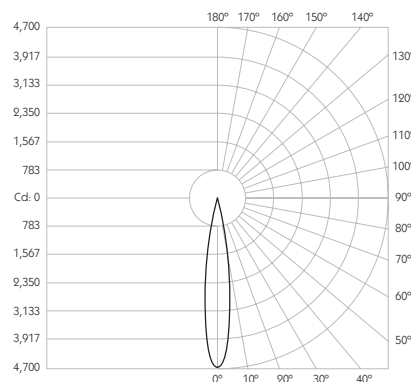
Gear Type Dimmable Options Available

Glare Comfort Cut Off 80°

Gear Location Remote

** Photometry shown is correct for 3000K module. Please enquire for 2700K module output.

Product Photometry independently tested in accordance with LM-79



Configuration

Luminaire Code

RCT-605

Aperture Finish

BK	Black
WH	White
SB	Satin Brass

CCT

27	2700K
30	3000K

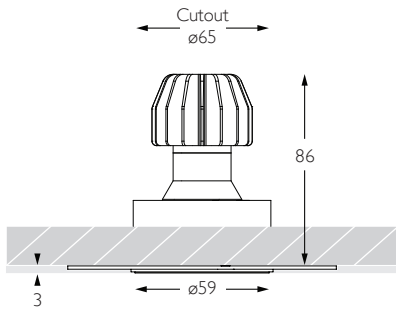
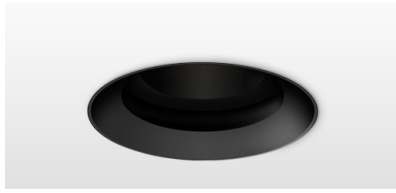
CRI

92 92 CRI

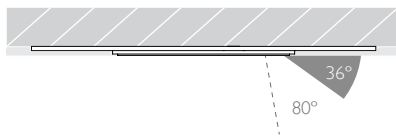
Beam Angle

15 15° Spot

RCT-605	-	-	92	15
---------	---	---	----	----

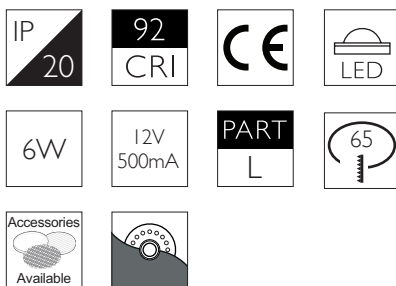


Glare Diagram



Cut Off: 36°

Glare Comfort Cut Off: 80°



Technical Description

Minimo 11 Fixed is a recessed LED luminaire providing high performance accent lighting from a compact source with minimal glare. Minimo 11 is perfect for use in colour-critical applications with 92CRI delivered from a single source LED module and available in two colour temperatures as standard. Tool-less, site changeable beam angles allow flexibility in varying environments. Machined from 6063-T6 aluminium, Minimo 11 Fixed features a trimless bezel for a discreet appearance and an interchangeable chamfered aperture available in three finishes for complete aesthetic integration. Minimo 11 Fixed delivers a lumen package of 513lm at 6W.

Mechanical

Category Interior use only IP20
Material Machined Aluminium
Configuration Trimless | Chamfered Aperture
Cutout \varnothing 65mm
Ceiling Thickness 5mm min.
Ceiling Void 20mm above module
Weight 255g

Finishes

Aperture Finishes Black | White | Satin Brass | *

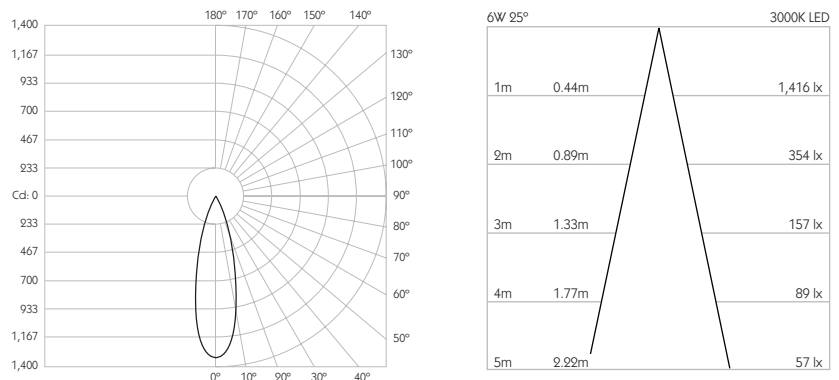
* Please enquire as to the availability of non-standard finishes

Optical

System Power 6W
Module Output 513lm**
Absolute Output 439lm**
LOR 86%
Glare Cut Off 36°
Glare Comfort Cut Off 80°
Colour Temperature 2700K | 3000K
CRI 92 Typ
TM-30 Rf: 90 Rg: 99
Beam Angle 25°
Gear Type Dimmable Options Available
Gear Location Remote

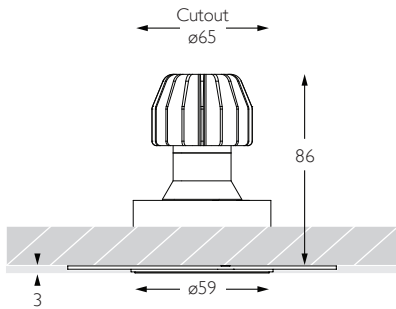
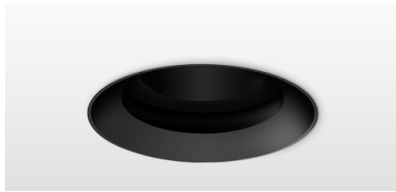
** Photometry shown is correct for 3000K module. Please enquire for 2700K module output.

Product Photometry independently tested in accordance with LM-79

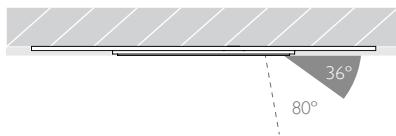


Luminaire Code	Aperture Finish	CCT	CRI	Beam Angle														
RCT-605	<table border="1"> <tr><td>BK</td><td>Black</td></tr> <tr><td>WH</td><td>White</td></tr> <tr><td>SB</td><td>Satin Brass</td></tr> </table>	BK	Black	WH	White	SB	Satin Brass	<table border="1"> <tr><td>27</td><td>2700K</td></tr> <tr><td>30</td><td>3000K</td></tr> </table>	27	2700K	30	3000K	<table border="1"> <tr><td>92</td><td>92 CRI</td></tr> </table>	92	92 CRI	<table border="1"> <tr><td>25</td><td>25° Flood</td></tr> </table>	25	25° Flood
BK	Black																	
WH	White																	
SB	Satin Brass																	
27	2700K																	
30	3000K																	
92	92 CRI																	
25	25° Flood																	

RCT-605	-	-	92	25
---------	---	---	----	----

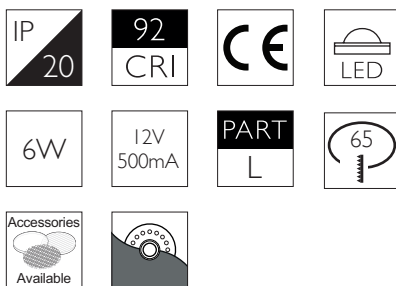


Glare Diagram



Cut Off: 36°

Glare Comfort Cut Off: 80°



Technical Description

Minimo 11 Fixed is a recessed LED luminaire providing high performance accent lighting from a compact source with minimal glare. Minimo 11 is perfect for use in colour-critical applications with 92CRI delivered from a single source LED module and available in two colour temperatures as standard. Tool-less, site changeable beam angles allow flexibility in varying environments. Machined from 6063-T6 aluminium, Minimo 11 Fixed features a trimless bezel for a discreet appearance and an interchangeable chamfered aperture available in three finishes for complete aesthetic integration. Minimo 11 Fixed delivers a lumen package of 513lm at 6W.

Mechanical

Category Interior use only IP20

Ceiling Thickness 5mm min.

Material Machined Aluminium

Ceiling Void 20mm above module

Configuration Trimless | Chamfered Aperture

Weight 255g

Cutout 65mm

Finishes

Aperture Finishes Black | White | Satin Brass | *

* Please enquire as to the availability of non-standard finishes

Optical

System Power 6W

Colour Temperature 2700K | 3000K

Module Output 513lm**

CRI 92 Typ

Absolute Output 420lm**

TM-30 Rf: 90 Rg: 99

LOR 82%

Beam Angle 45°

Glare Cut Off 36°

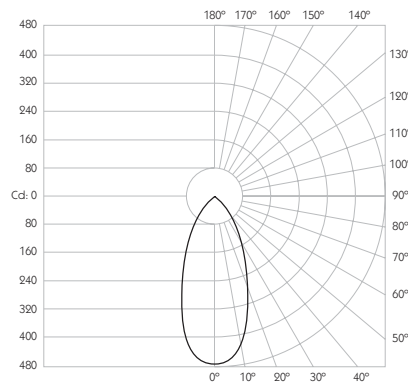
Gear Type Dimmable Options Available

Glare Comfort Cut Off 80°

Gear Location Remote

** Photometry shown is correct for 3000K module. Please enquire for 2700K module output.

Product Photometry independently tested in accordance with LM-79



Distance (m)	Beam Diameter (m)	Illuminance (lx)
1m	0.83m	470 lx
2m	1.66m	117 lx
3m	2.49m	52 lx
4m	3.31m	29 lx
5m	4.14m	19 lx

Configuration Options

Luminaire Code

RCT-605

Aperture Finish

BK	Black
WH	White
SB	Satin Brass

CCT

27	2700K
30	3000K

CRI

92

92 CRI

Beam Angle

45

45° Wide Flood

RCT-605	-	-	92	45
---------	---	---	----	----