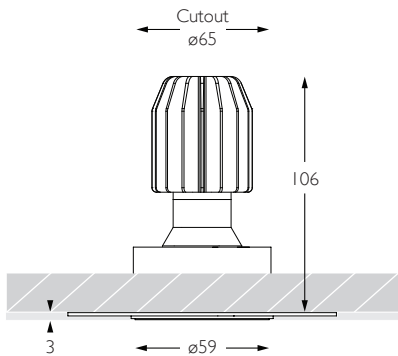


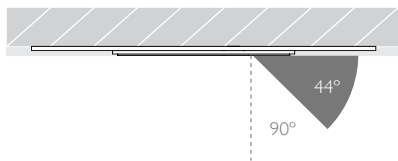
MINIMO 16 | FIXED

Luminaires
spec sheet RCT-632

ULTRA NARROW SPOT | TRIMLESS | PINHOLE APERTURE

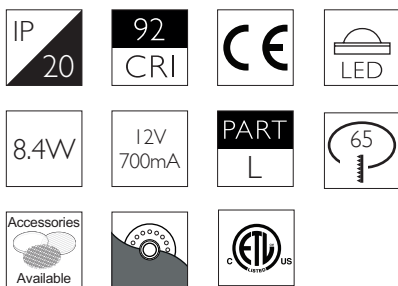


Glare Diagram



Cut Off: 44°

Glare Comfort Cut Off: 90°



Technical Description

Minimo 16 Fixed is a recessed LED luminaire providing high performance accent lighting from a compact source with minimal glare. Minimo 16 is perfect for use in colour-critical applications with 92CRI delivered from a single source LED module and available in two colour temperatures as standard. Tool-less, site changeable beam angles allow flexibility in varying environments. Machined from 6063-T6 aluminium, Minimo 16 Fixed Trimless features a 33mm pinhole aperture for a minimal and extremely low glare solution. Minimo 16 Fixed delivers a lumen package of 665lm at 8.4W.

Mechanical

Category Interior use only IP20
Material Machined Aluminium
Configuration Trimless | Pinhole Aperture
Cutout \varnothing 65mm
Ceiling Thickness 5mm min.
Ceiling Void 20mm above module
Weight 294g

Finishes

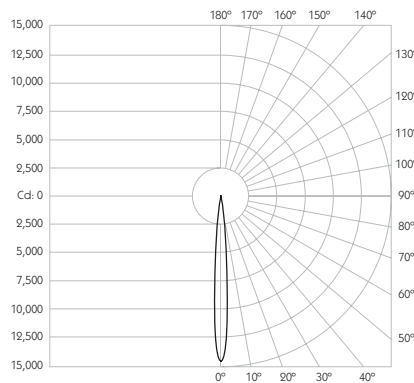
Finishes Black | White *
 * Please enquire as to the availability of non-standard Finishes

Optical

System Power 8.4W
Module Output 665lm**
Absolute Output 656lm**
LOR 99%
Glare Cut Off 44°
Glare Comfort Cut Off 90°
Colour Temperature 2700K | 3000K
CRI 92 Typ
TM-30 Rf: 90 Rg: 99
Beam Angle 9°
Gear Type Dimmable Options Available
Gear Location Remote

** Photometry shown is correct for 3000K module. Please enquire for 2700K module output.

Product Photometry independently tested in accordance with LM-79



Distance	Beam Diameter	Illuminance (lx)
1m	0.16m	14,533 lx
2m	0.31m	3,633 lx
3m	0.47m	1,615 lx
4m	0.63m	908 lx
5m	0.79m	581 lx

Luminaire Code	Finish	CCT	CRI	Beam Angle
RCT-632	BK Black WH White	27 2700K 30 3000K	92 92 CRI	09 9° Ultra Narrow Spot

RCT-632	-	-	92	09
---------	---	---	----	----

PRECISION
LIGHTING

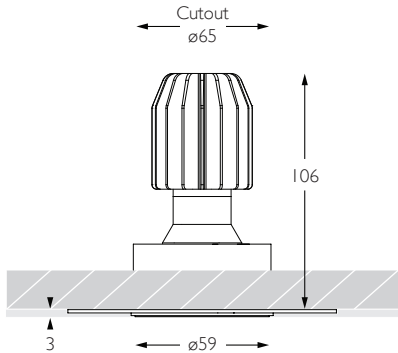
SALES@PRECISIONLIGHTING.CO.UK
WWW.PRECISIONLIGHTING.CO.UK

42 RIVERSIDE ROAD
LONDON SW17 0BA
t. +44 (0) 20 8947 6616
f. +44 (0) 20 8286 6626

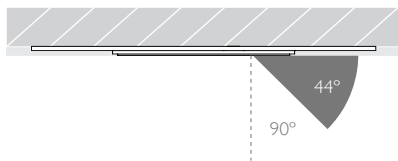
MINIMO 16 | FIXED

Luminaires
spec sheet RCT-632

NARROW SPOT | TRIMLESS | PINHOLE APERTURE

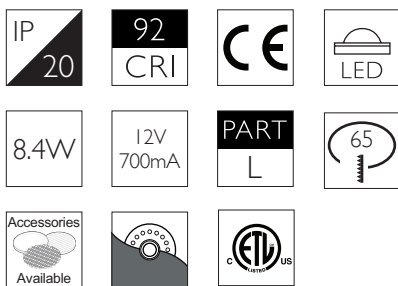


Glare Diagram



Cut Off: 44°

Glare Comfort Cut Off: 90°



Technical Description

Minimo 16 Fixed is a recessed LED luminaire providing high performance accent lighting from a compact source with minimal glare. Minimo 16 is perfect for use in colour-critical applications with 92CRI delivered from a single source LED module and available in two colour temperatures as standard. Tool-less, site changeable beam angles allow flexibility in varying environments. Machined from 6063-T6 aluminium, Minimo 16 Fixed Trimless features a 33mm pinhole aperture for a minimal and extremely low glare solution. Minimo 16 Fixed delivers a lumen package of 665lm at 8.4W.

Mechanical

Category Interior use only IP20
Material Machined Aluminium
Configuration Trimless | Pinhole Aperture
Cutout ø65mm
Ceiling Thickness 5mm min.
Ceiling Void 20mm above module
Weight 294g

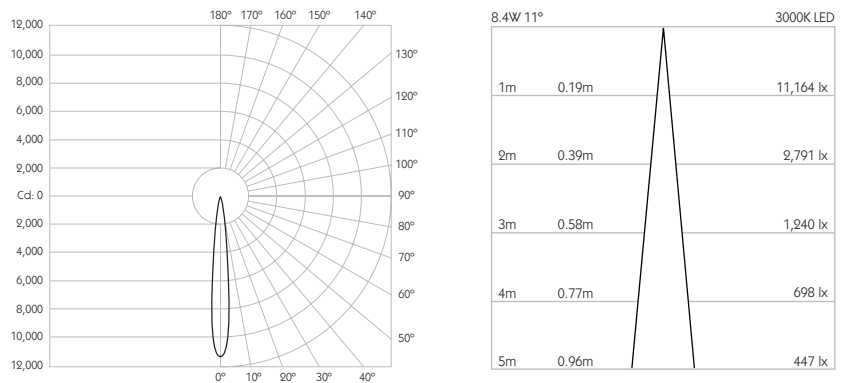
Finishes

Finishes Black | White *
 * Please enquire as to the availability of non-standard Finishes

Optical

System Power 8.4W
Module Output 665lm**
Absolute Output 653lm**
LOR 98%
Glare Cut Off 44°
Glare Comfort Cut Off 90°
Colour Temperature 2700K | 3000K
CRI 92 Typ
TM-30 Rf: 90 Rg: 99
Beam Angle 11°
Gear Type Dimmable Options Available
Gear Location Remote
 ** Photometry shown is correct for 3000K module. Please enquire for 2700K module output.

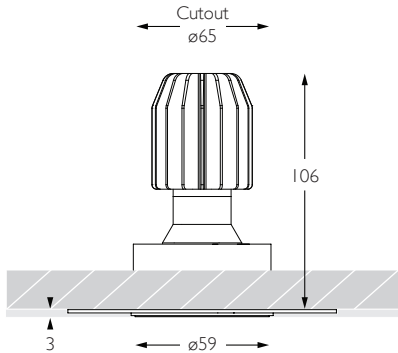
Product Photometry independently tested in accordance with LM-79



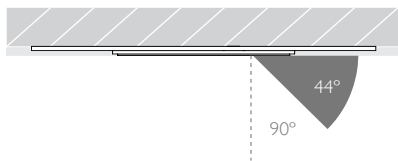
Luminaire Code	Finish	CCT	CRI	Beam Angle
RCT-632	BK Black WH White	27 2700K 30 3000K	92 92 CRI	11 11° Narrow Spot

RCT-632	-	-	92	11
---------	---	---	----	----

SPOT | TRIMLESS | PINHOLE APERTURE

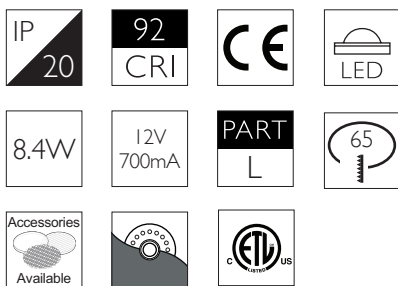


Glare Diagram



Cut Off: 44°

Glare Comfort Cut Off: 90°



Technical Description

Minimo 16 Fixed is a recessed LED luminaire providing high performance accent lighting from a compact source with minimal glare. Minimo 16 is perfect for use in colour-critical applications with 92CRI delivered from a single source LED module and available in two colour temperatures as standard. Tool-less, site changeable beam angles allow flexibility in varying environments. Machined from 6063-T6 aluminium, Minimo 16 Fixed Trimless features a 33mm pinhole aperture for a minimal and extremely low glare solution. Minimo 16 Fixed delivers a lumen package of 665lm at 8.4W.

Mechanical

Category Interior use only IP20

Material Machined Aluminium

Configuration Trimless | Pinhole Aperture

Cutout ø65mm

Ceiling Thickness 5mm min.

Ceiling Void 20mm above module

Weight 294g

Finishes

Finishes Black | White *

* Please enquire as to the availability of non-standard Finishes

Optical

System Power 8.4W

Module Output 665lm**

Absolute Output 656lm**

LOR 99%

Glare Cut Off 44°

Glare Comfort Cut Off 90°

** Photometry shown is correct for 3000K module. Please enquire for 2700K module output.

Colour Temperature 2700K | 3000K

CRI 92 Typ

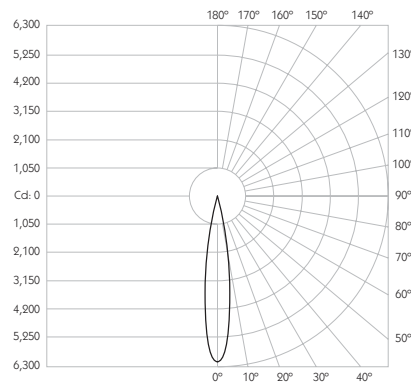
TM-30 Rf: 90 Rg: 99

Beam Angle 15°

Gear Type Dimmable Options Available

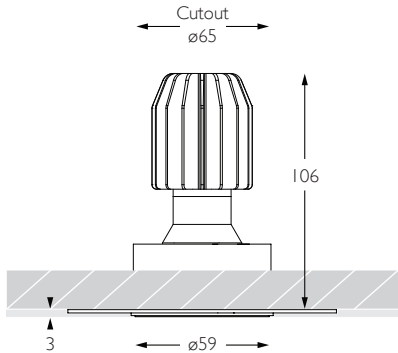
Gear Location Remote

Product Photometry independently tested in accordance with LM-79

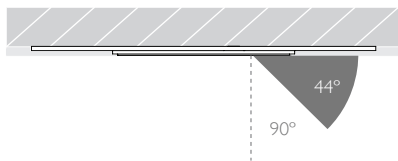


Distance	Beam Diameter	Illuminance (lx)
1m	0.26m	6,047 lx
2m	0.53m	1,152 lx
3m	0.79m	672 lx
4m	1.05m	378 lx
5m	1.32m	242 lx

Luminaire Code	Finish	CCT	CRI	Beam Angle
RCT-632	BK Black WH White	27 2700K 30 3000K	92 92 CRI	15 15° Spot
RCT-632	-	-	92	15

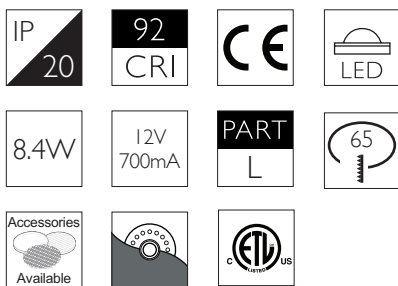


Glare Diagram



Cut Off: 44°

Glare Comfort Cut Off: 90°



Technical Description

Minimo 16 Fixed is a recessed LED luminaire providing high performance accent lighting from a compact source with minimal glare. Minimo 16 is perfect for use in colour-critical applications with 92CRI delivered from a single source LED module and available in two colour temperatures as standard. Tool-less, site changeable beam angles allow flexibility in varying environments. Machined from 6063-T6 aluminium, Minimo 16 Fixed Trimless features a 33mm pinhole aperture for a minimal and extremely low glare solution. Minimo 16 Fixed delivers a lumen package of 665lm at 8.4W.

Mechanical

Category Interior use only IP20

Material Machined Aluminium

Configuration Trimless | Pinhole Aperture

Cutout \varnothing 65mm

Ceiling Thickness 5mm min.

Ceiling Void 20mm above module

Weight 294g

Finishes

Finishes Black | White *

* Please enquire as to the availability of non-standard finishes

Optical

System Power 8.4W

Module Output 665lm**

Absolute Output 569lm**

LOR 86%

Glare Cut Off 44°

Glare Comfort Cut Off 90°

** Photometry shown is correct for 3000K module. Please enquire for 2700K module output.

Colour Temperature 2700K | 3000K

CRI 92 Typ

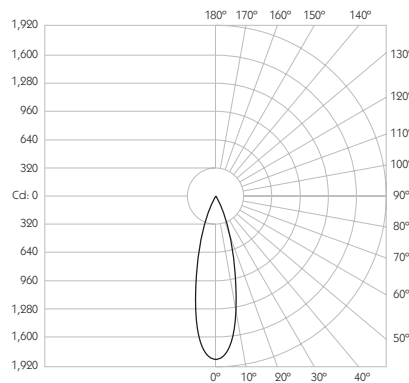
TM-30 Rf: 90 Rg: 99

Beam Angle 25°

Gear Type Dimmable Options Available

Gear Location Remote

Product Photometry independently tested in accordance with LM-79

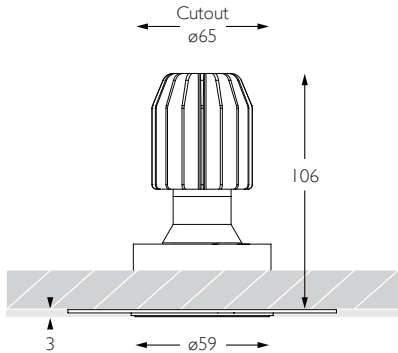


Distance (m)	Beam Diameter (m)	Footcandle (lx)
1m	0.44m	1,834 lx
2m	0.89m	458 lx
3m	1.33m	204 lx
4m	1.77m	115 lx
5m	2.22m	73 lx

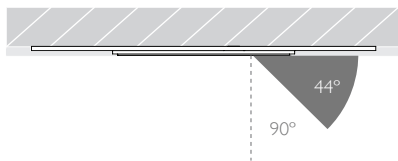
Luminaire Code	Finish	CCT	CRI	Beam Angle
RCT-632	BK Black WH White	27 2700K 30 3000K	92 92 CRI	25 25° Flood

RCT-632	-	-	92	25
---------	---	---	----	----

WIDE FLOOD | TRIMLESS | PINHOLE APERTURE

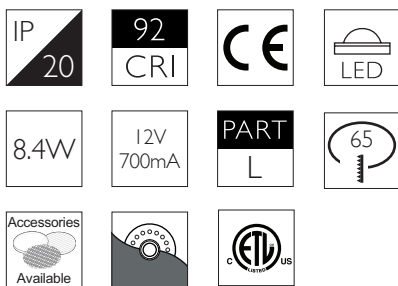


Glare Diagram



Cut Off: 44°

Glare Comfort Cut Off: 90°



Technical Description

Minimo 16 Fixed is a recessed LED luminaire providing high performance accent lighting from a compact source with minimal glare. Minimo 16 is perfect for use in colour-critical applications with 92CRI delivered from a single source LED module and available in two colour temperatures as standard. Tool-less, site changeable beam angles allow flexibility in varying environments. Machined from 6063-T6 aluminium, Minimo 16 Fixed Trimless features a 33mm pinhole aperture for a minimal and extremely low glare solution. Minimo 16 Fixed delivers a lumen package of 665lm at 8.4W.

Mechanical

Category Interior use only IP20

Material Machined Aluminium

Configuration Trimless | Pinhole Aperture

Cutout \varnothing 65mm

Ceiling Thickness 5mm min.

Ceiling Void 20mm above module

Weight 294g

Finishes

Finishes Black | White *

* Please enquire as to the availability of non-standard Finishes

Optical

System Power 8.4W

Module Output 665lm**

Absolute Output 544lm**

LOR 82%

Glare Cut Off 44°

Glare Comfort Cut Off 90°

** Photometry shown is correct for 3000K module. Please enquire for 2700K module output.

Colour Temperature 2700K | 3000K

CRI 92 Typ

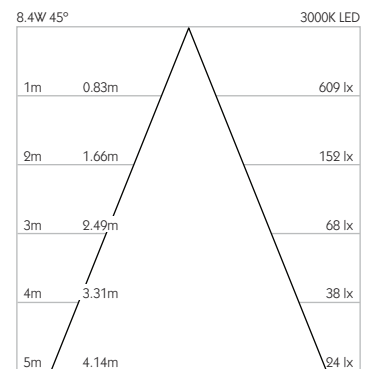
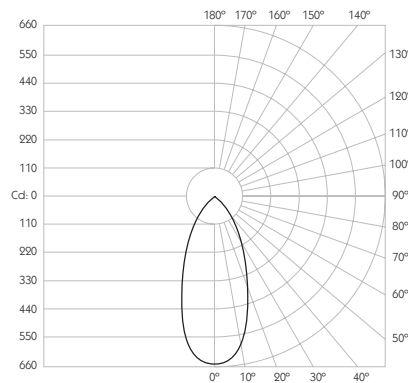
TM-30 Rf: 90 Rg: 99

Beam Angle 45°

Gear Type Dimmable Options Available

Gear Location Remote

Product Photometry independently tested in accordance with LM-79



Luminaire Code	Finish	CCT	CRI	Beam Angle
RCT-632	BK Black WH White	27 2700K 30 3000K	92 92 CRI	45 45° Wide Flood
RCT-632	-	-	92	45