

DOMINO 4 RECESSED TRIMLESS

luminaires
spec sheet TS-654

NARROW SPOT



Category Interior use only IP20

Material Machined Aluminium

Cutout $\varnothing 44 \times 66$ mm

Ceiling Thickness 5-25mm

Minimum Ceiling Void 20mm above top of luminaire module

Accessories Lenses

System Power 8.8W

Module Output 712lm

Absolute Output 658lm

LOR 93%

Colour Temperature 3000K*

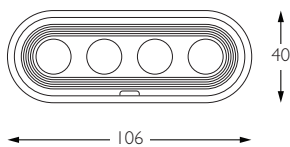
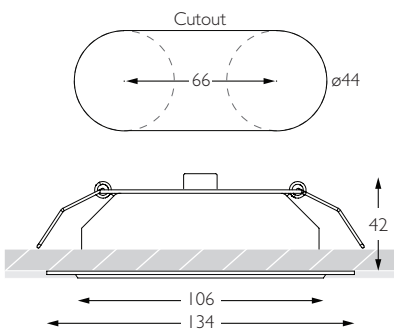
CRI Ra: 95 **TM-30** Rf: 93 Rg: 99

Optics 12°

Gear Type Dimmable options available

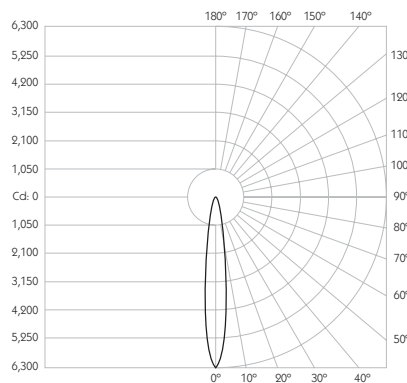
Weight 188g

* Please enquire as to the availability of non-standard colour temperatures.

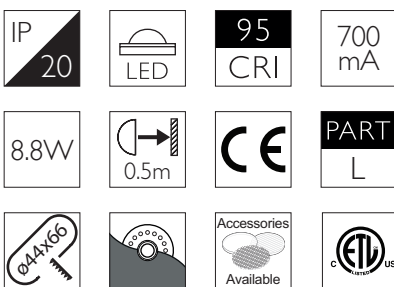


Domino 4 Recessed Trimless is a discreet 95CRI architectural luminaire. The minimal aesthetic, common across the Precision portfolio, ensures the luminaire blends into its architectural surroundings. The luminaire has four light sources, each of which can be configured separately with one of five changeable optics, facilitating a large number of distribution choices. The plaster-in luminaire has a passivated aluminium flange suitable for a 3mm plaster skim. The built-in, anti-reflective, magnetic accessory holder enables glare control and accommodates accessories up to 2mm thick. Domino 4 Recessed Trimless is machined from aerospace grade 6063-T6 aluminium, delivering a lumen package of 712lm at 8.8W.

Product Photometry independently tested in accordance with LM-79



Height	Beam Diameter	Illuminance (lx)
1m	0.21m	6,985 lx
2m	0.42m	1,570 lx
3m	0.63m	700 lx
4m	0.84m	390 lx
5m	1.05m	250 lx



Trimless

TS-654-AL-309512



PRECISION
LIGHTING

SALES@PRECISIONLIGHTING.CO.UK
WWW.PRECISIONLIGHTING.CO.UK

42 RIVERSIDE ROAD
LONDON SW17 0BA
t. +44 (0) 20 8947 6616
f. +44 (0) 20 8286 6626

DOMINO 4 RECESSED TRIMLESS

Luminaires
spec sheet TS-654

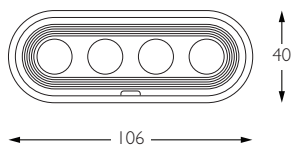
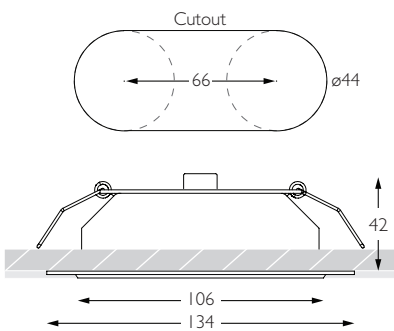
FLOOD



- Category** Interior use only IP20
- Material** Machined Aluminium
- Cutout** $\varnothing 44 \times 66$ mm
- Ceiling Thickness** 5-25mm
- Minimum Ceiling Void** 20mm above top of luminaire module
- Accessories** Lenses
- System Power** 8.8W
- Module Output** 712lm
- Absolute Output** 600lm
- LOR** 84%
- Colour Temperature** 3000K*
- CRI** Ra: 95 **TM-30** Rf: 93 Rg: 99
- Optics** 30°
- Gear Type** Dimmable options available
- Weight** 188g

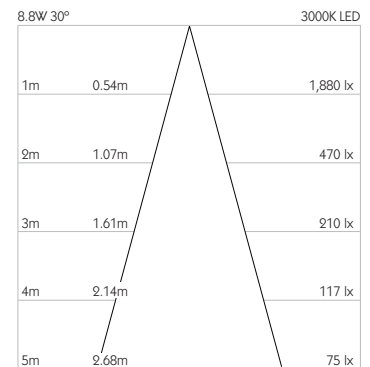
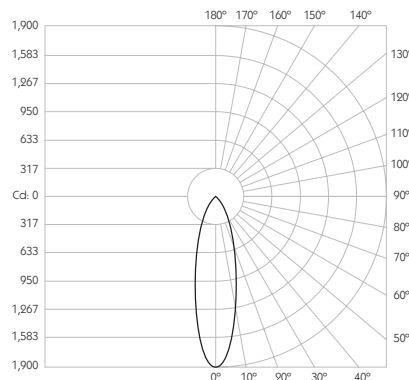


* Please enquire as to the availability of non-standard colour temperatures.



Domino 4 Recessed Trimless is a discreet 95CRI architectural luminaire. The minimal aesthetic, common across the Precision portfolio, ensures the luminaire blends into its architectural surroundings. The luminaire has four light sources, each of which can be configured separately with one of five changeable optics, facilitating a large number of distribution choices. The plaster-in luminaire has a passivated aluminium flange suitable for a 3mm plaster skim. The built-in, anti-reflective, magnetic accessory holder enables glare control and accommodates accessories up to 2mm thick. Domino 4 Recessed Trimless is machined from aerospace grade 6063-T6 aluminium, delivering a lumen package of 712lm at 8.8W.

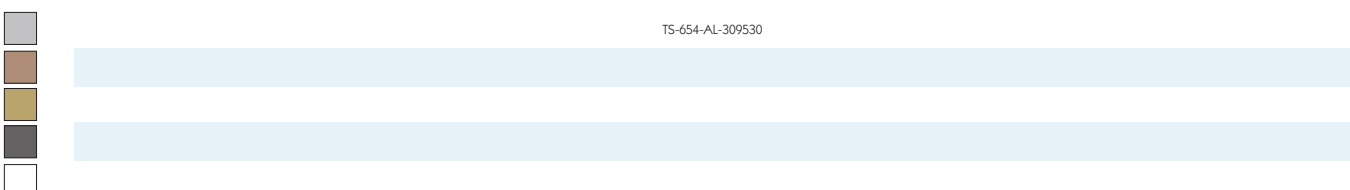
Product Photometry independently tested in accordance with LM-79



IP 20	LED	95 CRI	700 mA
8.8W	0.5m	CE	PART L
$\varnothing 44 \times 66$	Accessories Available	ETL US	



TS-654-AL-309530



PRECISION
LIGHTING

SALES@PRECISIONLIGHTING.CO.UK
WWW.PRECISIONLIGHTING.CO.UK

42 RIVERSIDE ROAD
LONDON SW17 0BA
t. +44 (0) 20 8947 6616
f. +44 (0) 20 8286 6626

DOMINO 4 RECESSED TRIMLESS

luminaires
spec sheet TS-654

WIDE FLOOD



Category Interior use only IP20

Material Machined Aluminium

Cutout $\varnothing 44 \times 66$ mm

Ceiling Thickness 5-25mm

Minimum Ceiling Void 20mm above top of luminaire module

Accessories Lenses

System Power 8.8W

Module Output 712lm

Absolute Output 655lm

LOR 92%

Colour Temperature 3000K*

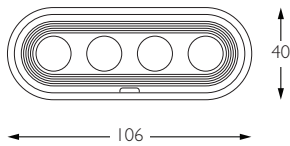
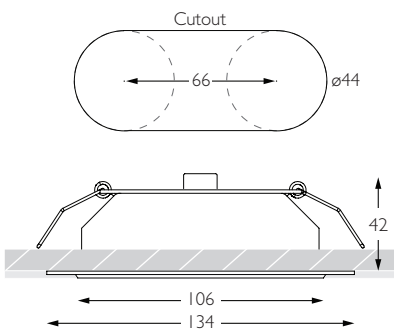
CRI Ra: 95 **TM-30** Rf: 93 Rg: 99

Optics 60°

Gear Type Dimmable options available

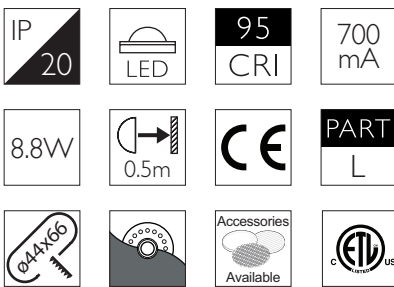
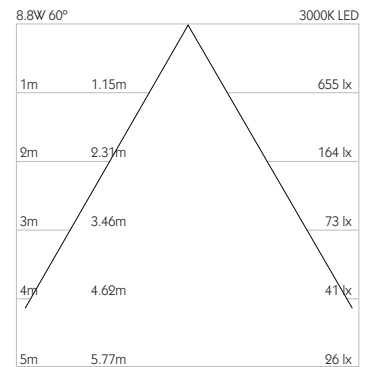
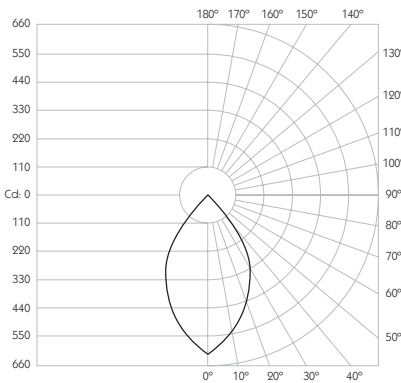
Weight 188g

* Please enquire as to the availability of non-standard colour temperatures.



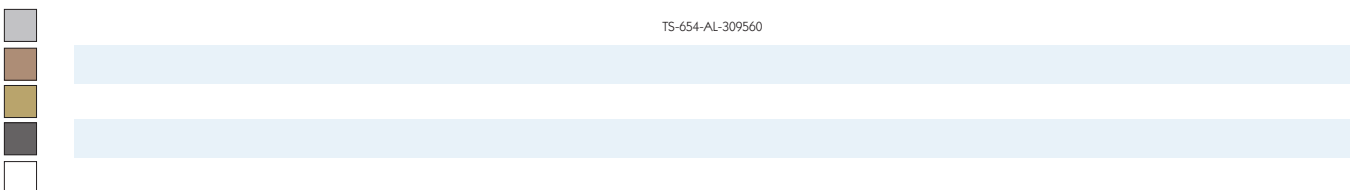
Domino 4 Recessed Trimless is a discreet 95CRI architectural luminaire. The minimal aesthetic, common across the Precision portfolio, ensures the luminaire blends into its architectural surroundings. The luminaire has four light sources, each of which can be configured separately with one of five changeable optics, facilitating a large number of distribution choices. The plaster-in luminaire has a passivated aluminium flange suitable for a 3mm plaster skim. The built-in, anti-reflective, magnetic accessory holder enables glare control and accommodates accessories up to 2mm thick. Domino 4 Recessed Trimless is machined from aerospace grade 6063-T6 aluminium, delivering a lumen package of 712lm at 8.8W.

Product Photometry independently tested in accordance with LM-79



Trimless

TS-654-AL-309560



PRECISION
LIGHTING

SALES@PRECISIONLIGHTING.CO.UK

WWW.PRECISIONLIGHTING.CO.UK

42 RIVERSIDE ROAD
LONDON SW17 0BA

t. +44 (0) 20 8947 6616
f. +44 (0) 20 8286 6626

Version 11.17

DOMINO 4 RECESSED TRIMLESS

Luminaires
spec sheet TS-654

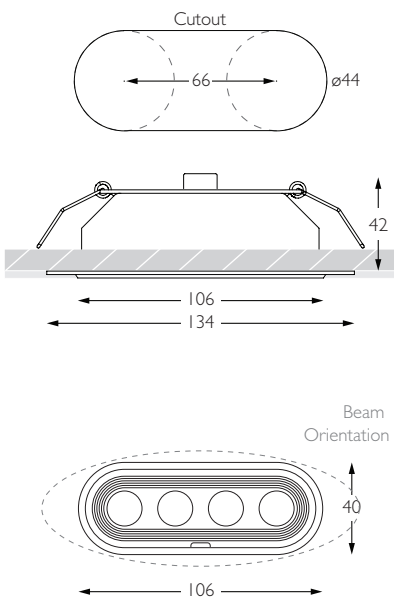
ELLIPSE



- Category** Interior use only IP20
- Material** Machined Aluminium
- Cutout** $\varnothing 44 \times 66$ mm
- Ceiling Thickness** 5-25mm
- Minimum Ceiling Void** 20mm above top of luminaire module
- Accessories** Lenses
- System Power** 8.8W
- Module Output** 712lm
- Absolute Output** 652lm
- LOR** 92%
- Colour Temperature** 3000K*
- CRI** Ra: 95 **TM-30** Rf: 93 Rg: 99
- Optics** 12X35°
- Gear Type** Dimmable options available
- Weight** 188g

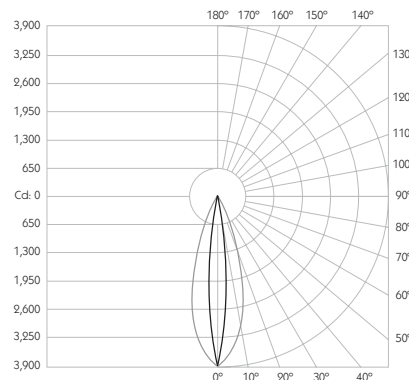


* Please enquire as to the availability of non-standard colour temperatures.



Domino 4 Recessed Trimless is a discreet 95CRI architectural luminaire. The minimal aesthetic, common across the Precision portfolio, ensures the luminaire blends into its architectural surroundings. The luminaire has four light sources, each of which can be configured separately with one of five changeable optics, facilitating a large number of distribution choices. The plaster-in luminaire has a passivated aluminium flange suitable for a 3mm plaster skim. The built-in, anti-reflective, magnetic accessory holder enables glare control and accommodates accessories up to 2mm thick. Domino 4 Recessed Trimless is machined from aerospace grade 6063-T6 aluminium, delivering a lumen package of 712lm at 8.8W.

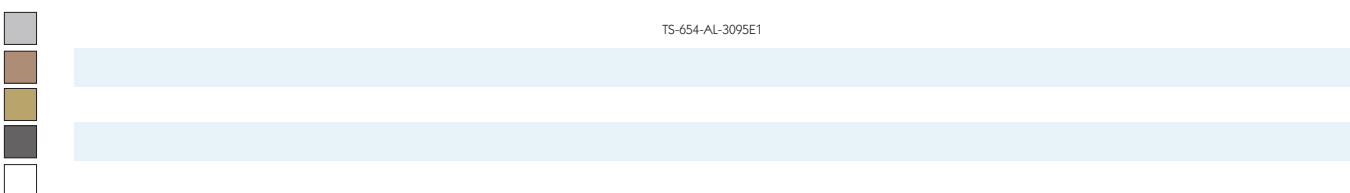
Product Photometry independently tested in accordance with LM-79



Height	Beam Spread	Beam Diameter	Illuminance (lx)
1m	0.63m	0.21m	3,894 lx
2m	1.26m	0.42m	973 lx
3m	1.89m	0.63m	432 lx
4m	2.52m	0.84m	243 lx
5m	3.15m	1.05m	155 lx



TS-654-AL-3095E1



**PRECISION
LIGHTING**

SALES@PRECISIONLIGHTING.CO.UK
WWW.PRECISIONLIGHTING.CO.UK

42 RIVERSIDE ROAD
LONDON SW17 0BA
t. +44 (0) 20 8947 6616
f. +44 (0) 20 8286 6626

DOMINO 4 RECESSED TRIMLESS

Luminaires
spec sheet TS-654

VERTICAL ELLIPSE



Category Interior use only IP20

Material Machined Aluminium

Cutout $\varnothing 44 \times 66\text{mm}$

Ceiling Thickness 5-25mm

Minimum Ceiling Void 20mm above top of luminaire module

Accessories Lenses

System Power 8.8W

Module Output 712lm

Absolute Output 652lm

LOR 92%

Colour Temperature 3000K*

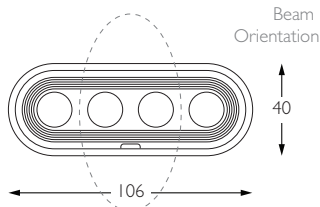
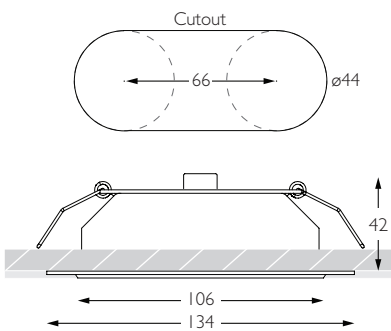
CRI Ra: 95 **TM-30** Rf: 93 Rg: 99

Optics 35X12°

Gear Type Dimmable options available

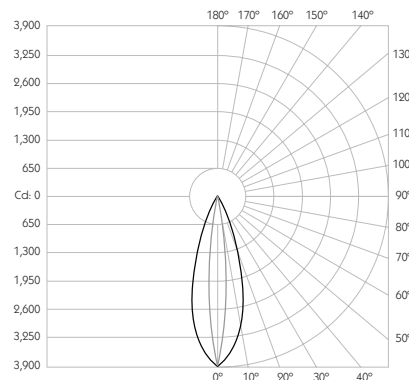
Weight 188g

* Please enquire as to the availability of non-standard colour temperatures.

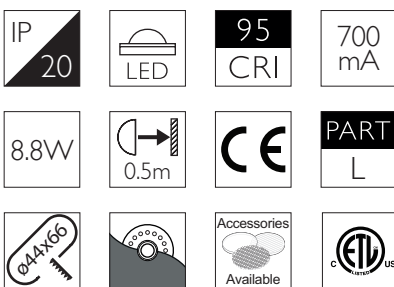


Domino 4 Recessed Trimless is a discreet 95CRI architectural luminaire. The minimal aesthetic, common across the Precision portfolio, ensures the luminaire blends into its architectural surroundings. The luminaire has four light sources, each of which can be configured separately with one of five changeable optics, facilitating a large number of distribution choices. The plaster-in luminaire has a passivated aluminium flange suitable for a 3mm plaster skim. The built-in, anti-reflective, magnetic accessory holder enables glare control and accommodates accessories up to 2mm thick. Domino 4 Recessed Trimless is machined from aerospace grade 6063-T6 aluminium, delivering a lumen package of 712lm at 8.8W.

Product Photometry independently tested in accordance with LM-79



Height	Beam Diameter	Beam Diameter	Footcandle (lx)
1m	0.63m	0.21m	3,894 lx
2m	1.26m	0.42m	973 lx
3m	1.89m	0.63m	432 lx
4m	2.52m	0.84m	243 lx
5m	3.15m	1.05m	155 lx



Trimless

TS-654-AL-3095E2



PRECISION
LIGHTING

SALES@PRECISIONLIGHTING.CO.UK

WWW.PRECISIONLIGHTING.CO.UK

42 RIVERSIDE ROAD
LONDON SW17 0BA

t. +44 (0) 20 8947 6616
f. +44 (0) 20 8286 6626

Version 11.17

DOMINO 4 RECESSED TRIMLESS

Luminaires
spec sheet TS-654

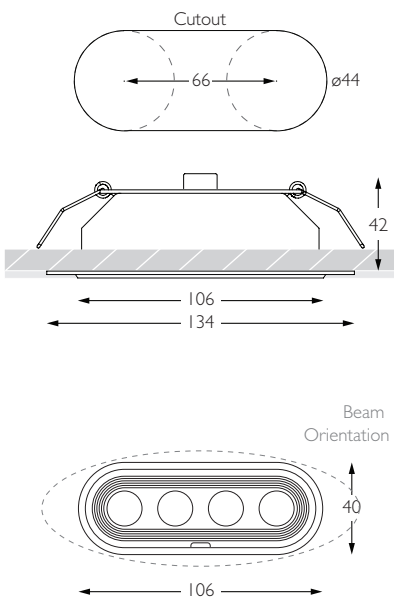
SOFT ELLIPSE



- Category** Interior use only IP20
- Material** Machined Aluminium
- Cutout** $\varnothing 44 \times 66$ mm
- Ceiling Thickness** 5-25mm
- Minimum Ceiling Void** 20mm above top of luminaire module
- Accessories** Lenses
- System Power** 8.8W
- Module Output** 712lm
- Absolute Output** 626lm
- LOR** 88%
- Colour Temperature** 3000K*
- CRI** Ra: 95 **TM-30** Rf: 93 Rg: 99
- Optics** 15X30°
- Gear Type** Dimmable options available
- Weight** 188g

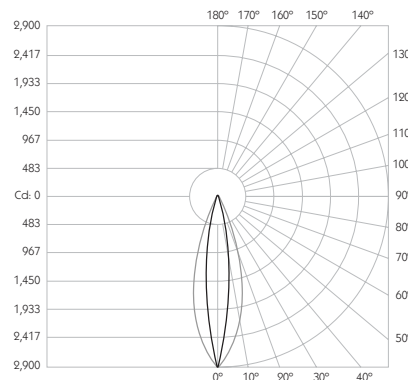


* Please enquire as to the availability of non-standard colour temperatures.



Domino 4 Recessed Trimless is a discreet 95CRI architectural luminaire. The minimal aesthetic, common across the Precision portfolio, ensures the luminaire blends into its architectural surroundings. The luminaire has four light sources, each of which can be configured separately with one of five changeable optics, facilitating a large number of distribution choices. The plaster-in luminaire has a passivated aluminium flange suitable for a 3mm plaster skim. The built-in, anti-reflective, magnetic accessory holder enables glare control and accommodates accessories up to 2mm thick. Domino 4 Recessed Trimless is machined from aerospace grade 6063-T6 aluminium, delivering a lumen package of 712lm at 8.8W.

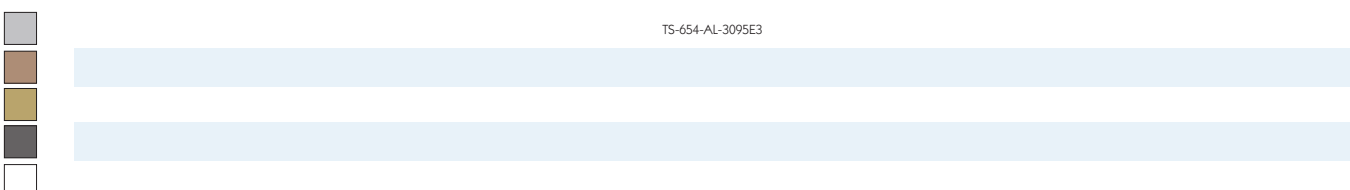
Product Photometry independently tested in accordance with LM-79



Distance (m)	Beam Width (m)	Beam Depth (m)	Illuminance (lx)
1m	0.54m	0.26m	2,887 lx
2m	1.07m	0.53m	721 lx
3m	1.61m	0.79m	320 lx
4m	2.14m	1.05m	180 lx
5m	2.68m	1.32m	115 lx



TS-654-AL-3095E3



**PRECISION
LIGHTING**

SALES@PRECISIONLIGHTING.CO.UK
WWW.PRECISIONLIGHTING.CO.UK

42 RIVERSIDE ROAD
LONDON SW17 0BA
t. +44 (0) 20 8947 6616
f. +44 (0) 20 8286 6626

DOMINO 4 RECESSED TRIMLESS

Luminaires
spec sheet TS-654

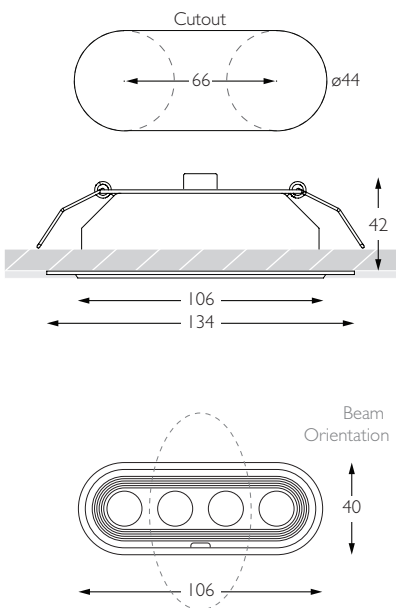
VERTICAL SOFT ELLIPSE



- Category** Interior use only IP20
- Material** Machined Aluminium
- Cutout** $\varnothing 44 \times 66$ mm
- Ceiling Thickness** 5-25mm
- Minimum Ceiling Void** 20mm above top of luminaire module
- Accessories** Lenses
- System Power** 8.8W
- Module Output** 712lm
- Absolute Output** 626lm
- LOR** 88%
- Colour Temperature** 3000K*
- CRI** Ra: 95 **TM-30** Rf: 93 Rg: 99
- Optics** 30X15°
- Gear Type** Dimmable options available
- Weight** 188g

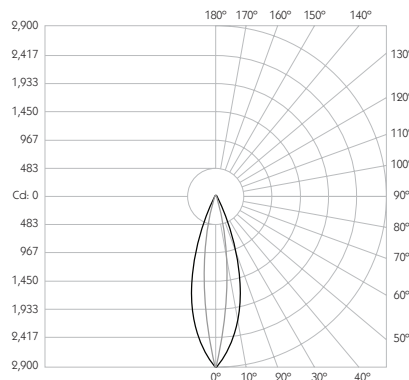


* Please enquire as to the availability of non-standard colour temperatures.



Domino 4 Recessed Trimless is a discreet 95CRI architectural luminaire. The minimal aesthetic, common across the Precision portfolio, ensures the luminaire blends into its architectural surroundings. The luminaire has four light sources, each of which can be configured separately with one of five changeable optics, facilitating a large number of distribution choices. The plaster-in luminaire has a passivated aluminium flange suitable for a 3mm plaster skim. The built-in, anti-reflective, magnetic accessory holder enables glare control and accommodates accessories up to 2mm thick. Domino 4 Recessed Trimless is machined from aerospace grade 6063-T6 aluminium, delivering a lumen package of 712lm at 8.8W.

Product Photometry independently tested in accordance with LM-79

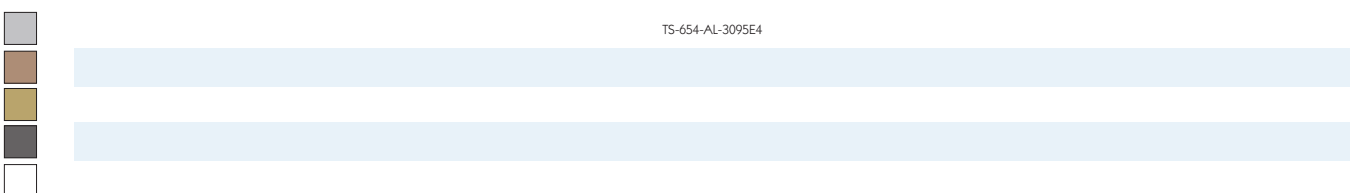


Distance (m)	Beam Diameter (m)	Beam Diameter (m)	Footcandle (lx)
1m	0.54m	0.26m	2,887 lx
2m	1.07m	0.53m	721 lx
3m	1.61m	0.79m	320 lx
4m	2.14m	1.05m	180 lx
5m	2.68m	1.32m	115 lx



Trimless

TS-654-AL-3095E4



PRECISION
LIGHTING

SALES@PRECISIONLIGHTING.CO.UK
WWW.PRECISIONLIGHTING.CO.UK

42 RIVERSIDE ROAD
LONDON SW17 0BA
t. +44 (0) 20 8947 6616
f. +44 (0) 20 8286 6626

DOMINO 4 RECESSED TRIMLESS

Luminaires
spec sheet TS-654

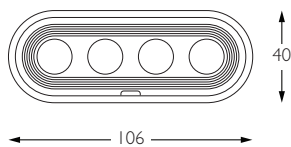
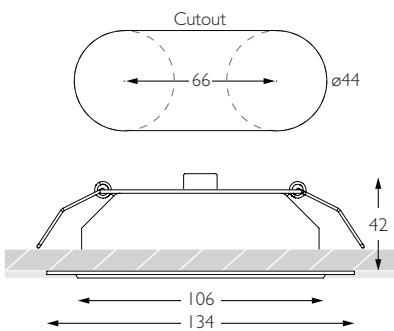
FOCAL SPOT



- Category** Interior use only IP20
- Material** Machined Aluminium
- Cutout** $\varnothing 44 \times 66$ mm
- Ceiling Thickness** 5-25mm
- Minimum Ceiling Void** 20mm above top of luminaire module
- Accessories** Lenses
- System Power** 8.8W
- Module Output** 712lm
- Absolute Output** 630lm
- LOR** 92%
- Colour Temperature** 3000K*
- CRI** Ra: 95 **TM-30** Rf: 93 Rg: 99
- Optics** 12° | 30°
- Gear Type** Dimmable options available
- Weight** 188g

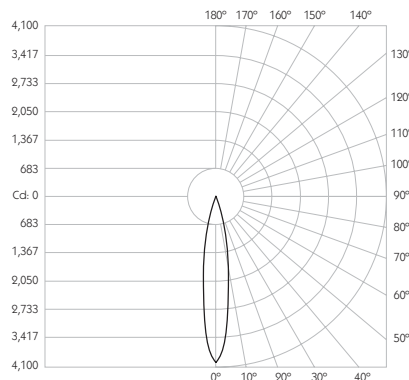


* Please enquire as to the availability of non-standard colour temperatures.



Domino 4 Recessed Trimless is a discreet 95CRI architectural luminaire. The minimal aesthetic, common across the Precision portfolio, ensures the luminaire blends into its architectural surroundings. The luminaire has four light sources, each of which can be configured separately with one of five changeable optics, facilitating a large number of distribution choices. The plaster-in luminaire has a passivated aluminium flange suitable for a 3mm plaster skim. The built-in, anti-reflective, magnetic accessory holder enables glare control and accommodates accessories up to 2mm thick. Domino 4 Recessed Trimless is machined from aerospace grade 6063-T6 aluminium, delivering a lumen package of 712lm at 8.8W.

Product Photometry independently tested in accordance with LM-79

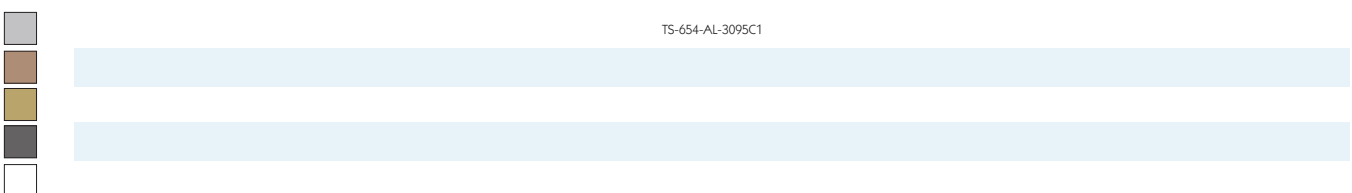


Distance (m)	Beam Diameter (m)	Illuminance (lx)
1m	0.30m	4,084 lx
2m	0.60m	1,021 lx
3m	0.90m	453 lx
4m	1.20m	255 lx
5m	1.40m	163 lx



Trimless

TS-654-AL-3095C1



**PRECISION
LIGHTING**

SALES@PRECISIONLIGHTING.CO.UK
WWW.PRECISIONLIGHTING.CO.UK

42 RIVERSIDE ROAD
LONDON SW17 0BA
t. +44 (0) 20 8947 6616
f. +44 (0) 20 8286 6626

DOMINO 4 RECESSED TRIMLESS

luminaires
spec sheet TS-654

FOCAL FLOOD



Category Interior use only IP20

Material Machined Aluminium

Cutout $\varnothing 44 \times 66\text{mm}$

Ceiling Thickness 5-25mm

Minimum Ceiling Void 20mm above top of luminaire module

Accessories Lenses

System Power 8.8W

Module Output 712lm

Absolute Output 657lm

LOR 92%

Colour Temperature 3000K*

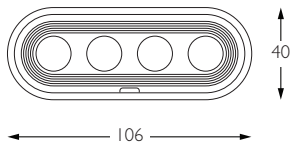
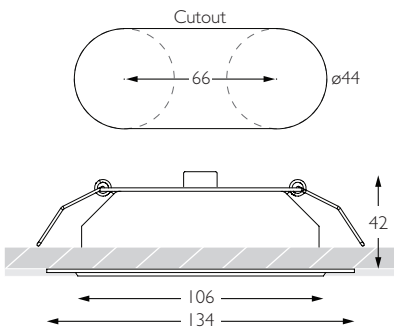
CRI Ra: 95 **TM-30** Rf: 93 Rg: 99

Optics 12° | 60°

Gear Type Dimmable options available

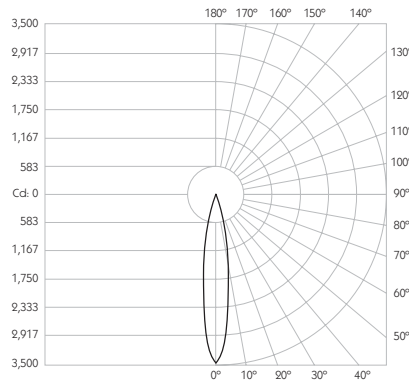
Weight 188g

* Please enquire as to the availability of non-standard colour temperatures.



Domino 4 Recessed Trimless is a discreet 95CRI architectural luminaire. The minimal aesthetic, common across the Precision portfolio, ensures the luminaire blends into its architectural surroundings. The luminaire has four light sources, each of which can be configured separately with one of five changeable optics, facilitating a large number of distribution choices. The plaster-in luminaire has a passivated aluminium flange suitable for a 3mm plaster skim. The built-in, anti-reflective, magnetic accessory holder enables glare control and accommodates accessories up to 2mm thick. Domino 4 Recessed Trimless is machined from aerospace grade 6063-T6 aluminium, delivering a lumen package of 712lm at 8.8W.

Product Photometry independently tested in accordance with LM-79



Height	Beam Diameter	Footcandle (lx)
1m	0.30m	3,470 lx
2m	0.50m	867 lx
3m	0.80m	385 lx
4m	1.10m	216 lx
5m	1.40m	138 lx

-
-
-
-
-
-
-
-
-
-
-



TS-654-AL-3095C2



PRECISION
LIGHTING

SALES@PRECISIONLIGHTING.CO.UK
WWW.PRECISIONLIGHTING.CO.UK

42 RIVERSIDE ROAD
LONDON SW17 0BA
t. +44 (0) 20 8947 6616
f. +44 (0) 20 8286 6626

DOMINO 4 RECESSED TRIMLESS

Luminaires
spec sheet TS-654

SOFT FOCAL FLOOD



Category Interior use only IP20

Material Machined Aluminium

Cutout $\varnothing 44 \times 66$ mm

Ceiling Thickness 5-25mm

Minimum Ceiling Void 20mm above top of luminaire module

Accessories Lenses

System Power 8.8W

Module Output 712lm

Absolute Output 628lm

LOR 92%

Colour Temperature 3000K*

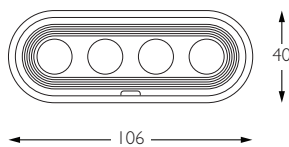
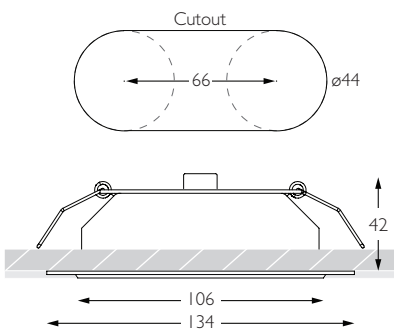
CRI Ra: 95 **TM-30** Rf: 93 Rg: 99

Optics 30° | 60°

Gear Type Dimmable options available

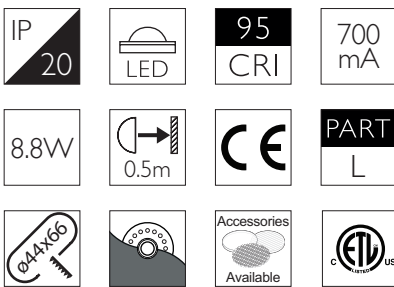
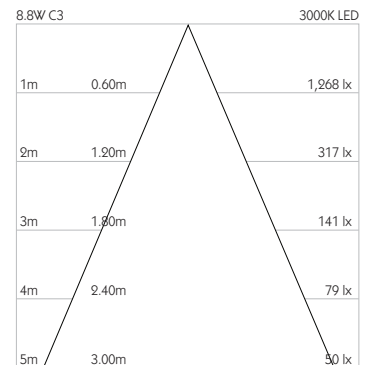
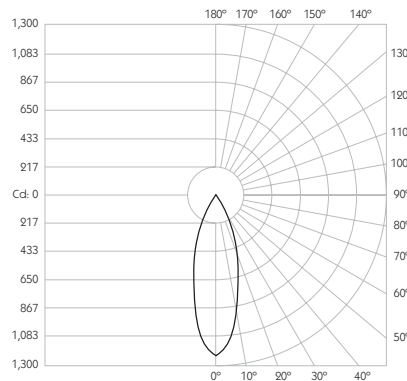
Weight 188g

* Please enquire as to the availability of non-standard colour temperatures.



Domino 4 Recessed Trimless is a discreet 95CRI architectural luminaire. The minimal aesthetic, common across the Precision portfolio, ensures the luminaire blends into its architectural surroundings. The luminaire has four light sources, each of which can be configured separately with one of five changeable optics, facilitating a large number of distribution choices. The plaster-in luminaire has a passivated aluminium flange suitable for a 3mm plaster skim. The built-in, anti-reflective, magnetic accessory holder enables glare control and accommodates accessories up to 2mm thick. Domino 4 Recessed Trimless is machined from aerospace grade 6063-T6 aluminium, delivering a lumen package of 712lm at 8.8W.

Product Photometry independently tested in accordance with LM-79



Trimless

TS-654-AL-3095C3



PRECISION
LIGHTING

SALES@PRECISIONLIGHTING.CO.UK

WWW.PRECISIONLIGHTING.CO.UK

42 RIVERSIDE ROAD
LONDON SW17 0BA

t. +44 (0) 20 8947 6616
f. +44 (0) 20 8286 6626

Version 11.17