

NARROW SPOT



Technical Description

Atto surface is a miniature, display orientated LED spotlight that comes as standard in white, black and brushed aluminium finishes. It has four site changeable optics for flexible distribution. The narrow spot beam in our 1W 102lm module has a peak intensity of 794cd. The Atto has 360 degree bearing aided rotation and 180 degree constant torque tilt mechanism, both lockable. There are 2 mounting methods, from the front using screws or from the rear using the M10 threaded stud - this can be factory removed as a custom order if it restricts installation.

Mechanical & Electrical

Category Interior use only IP20

Material Aluminium | Brass

Lockable Pan & Tilt

Accessories Snoots

Systems Fixed monopoint

Weight 16g

Forward Voltage 3V

Current 350mA

Finishes

Finishes Brushed Aluminium | Black | White | Brass | Custom*

* Please enquire as to the availability of non-standard Finishes

Optical

System Power 1W

Module Output 102lm

Absolute Output 94lm

Gear Type Dimmable available

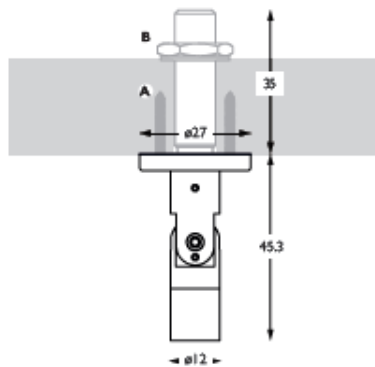
Colour Temperature 3000K*

CRI 95 TYP

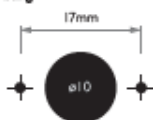
TM-30 RF: 93 RG: 99

Beam Angle 16°

** Photometry shown is correct for 3000K module. Please enquire for 2700K module output.



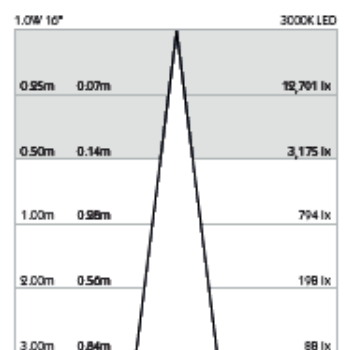
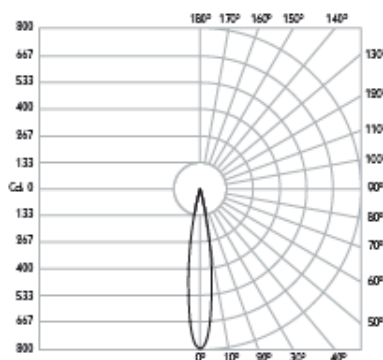
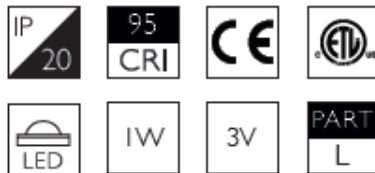
A - 2 Screw Fixing



B - M10 Fixing



If M10 stud is restricting installation contact us for removal



Brushed Aluminium	White 9010	White Anodised Black	Rubbed Bronze *	Polished Brass *	Brushed Brass *
761-AL-000516	761-WH-000516	761-EB-000516	761-RB-000516	761-PB-000516	761-SB-000516

If M10 stud is restricting installation contact us for removal

For 3000K Substitute XX with 30

-

For 2700K Substitute XX with 27

*All Brass and Bronze finishes are made to order and subject to MOQ & extended lead time

MEDIUM



Technical Description

Atto surface is a miniature, display orientated LED spotlight that comes as standard in white, black and brushed aluminium finishes. It has four site changeable optics for flexible distribution. The medium beam in our 1W 102lm module has a peak intensity of 359cd. The Atto has 360 degree bearing aided rotation and 180 degree constant torque tilt mechanism, both lockable. There are 2 mounting methods, from the front using screws or from the rear using the M10 threaded stud - this can be factory removed as a custom order if it restricts installation.

Mechanical & Electrical

Category Interior use only IP20

Material Aluminium | Brass

Lockable Pan & Tilt

Accessories Snoots

Systems Fixed monopoint

Weight 16g

Forward Voltage 3V

Current 350mA

Finishes

Finishes Brushed Aluminium | Black | White | Brass | Custom*

* Please enquire as to the availability of non-standard Finishes

Optical

System Power 1W

Module Output 102lm

Absolute Output 92lm

Gear Type Dimmable available

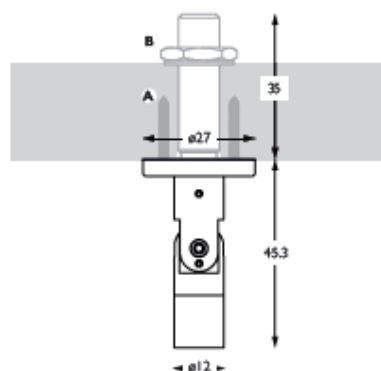
Colour Temperature 3000K*

CRI 95 TYP

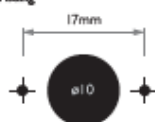
TM-30 RF: 93 RG: 99

Beam Angle 23°

** Photometry shown is correct for 3000K module. Please enquire for 2700K module output.



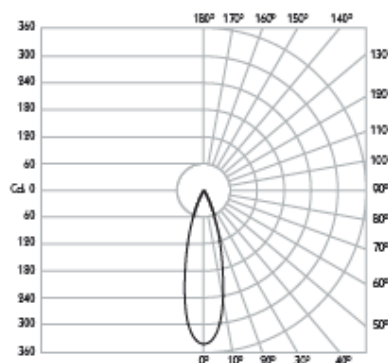
A - 2 Screw Fixing



B - M10 Fixing



If M10 stud is restricting installation contact us for removal



Beam Diameter	Beam Length	3000K LED Illuminance (lx)
0.25m	0.10m	5,745 lx
0.50m	0.20m	1,436 lx
1.00m	0.40m	359 lx
2.00m	0.80m	90 lx
3.00m	1.20m	40 lx

Brushed Aluminium	White 0010	Matte Anodised Black	Rubbed Bronze *	Polished Brass *	Brushed Brass *
761-AL-XX0523	761-WH-XX0523	761-EPA-XX0523	761-BR-XX0523	761-PB-XX0523	761-SB-XX0523

If M10 stud is restricting installation contact us for removal

For 3000K Substitute XX with 30

For 2700K Substitute XX with 27

*All Brass and Bronze finishes are made to order and subject to MOQ & extended lead time



Technical Description

Atto surface is a miniature, display orientated LED spotlight that comes as standard in white, black and brushed aluminium finishes. It has four site changeable optics for flexible distribution. The flood beam in our 1W 102lm module has a peak intensity of 109cd. The Atto has 360 degree bearing aided rotation and 180 degree constant torque tilt mechanism, both lockable. There are 2 mounting methods, from the front using screws or from the rear using the M10 threaded stud - this can be factory removed as a custom order if it restricts installation.

Mechanical & Electrical

Category Interior use only IP20

Material Aluminium | Brass

Lockable Pan & Tilt

Accessories Snoots

Systems Fixed monopoint

Weight 16g

Forward Voltage 3V

Current 350mA

Finishes

Finishes Brushed Aluminium | Black | White | Brass | Custom*

* Please enquire as to the availability of non-standard Finishes

Optical

System Power 1W

Module Output 102lm

Absolute Output 93lm

Gear Type Dimmable available

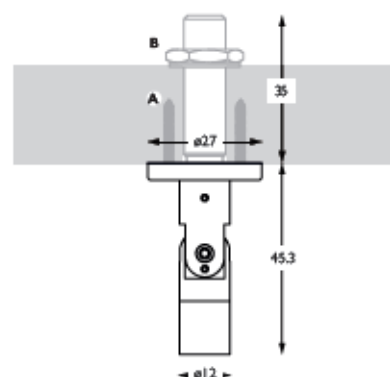
Colour Temperature 3000K*

CRI 95 TYP

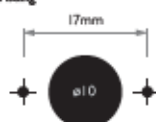
TM-30 RF: 93 RG: 99

Beam Angle 45°

** Photometry shown is correct for 3000K module. Please enquire for 2700K module output.



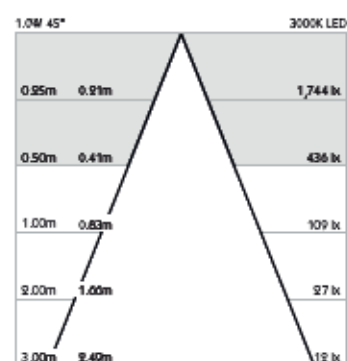
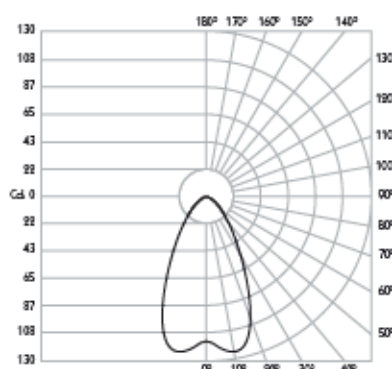
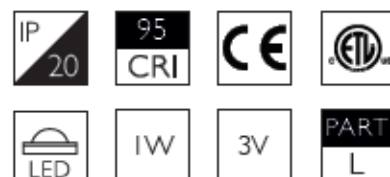
A - 2 Screw Fixing



B - M10 Fixing



If M10 stud is restricting installation contact us for removal



Brushed Aluminium	White 9010	Matte Anodised Black	Rubbed Bronze *	Polished Brass *	Brushed Brass *
761-AL-X00545	761-WH-X00545	761-EBA-X00545	761-RB-X00545	761-PB-X00545	761-SB-X00545

If M10 stud is restricting installation contact us for removal

For 3000K Substitute XX with 30

For 2700K Substitute XX with 27

*All Brass and Bronze finishes are made to order and subject to MOQ & extended lead time

WIDE FLOOD



Technical Description

Atto surface is a miniature, display orientated LED spotlight that comes as standard in white, black and brushed aluminium finishes. It has four site changeable optics for flexible distribution. The wide flood beam in our 1W 102lm module has a peak intensity of 26cd. The Atto has 360 degree bearing aided rotation and 180 degree constant torque tilt mechanism, both lockable. There are 2 mounting methods, from the front using screws or from the rear using the M10 threaded stud - this can be factory removed as a custom order if it restricts installation.

Mechanical & Electrical

Category Interior use only IP20

Material Aluminium I Brass

Lockable Pan & Tilt

Accessories Snoots

Systems Fixed monopoint

Weight 16g

Forward Voltage 3V

Current 350mA

Finishes

Finishes Brushed Aluminium I Black I White I Brass I Custom*

* Please enquire as to the availability of non-standard Finishes

Optical

System Power 1W

Module Output 102lm

Absolute Output 69lm

Gear Type Dimmable available

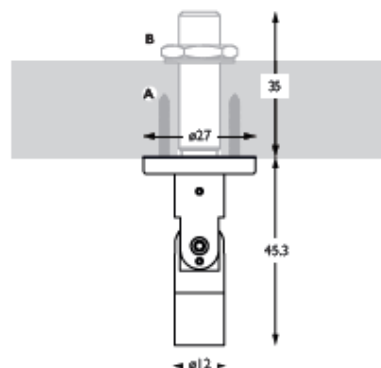
Colour Temperature 3000K*

CRI 95 TYP

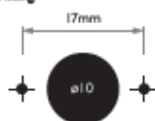
TM-30 RF: 93 RG: 99

Beam Angle 90°

** Photometry shown is correct for 3000K module. Please enquire for 2700K module output.



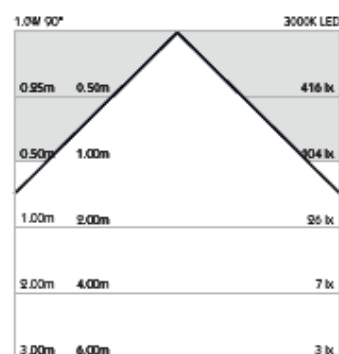
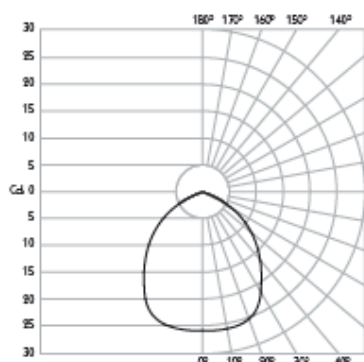
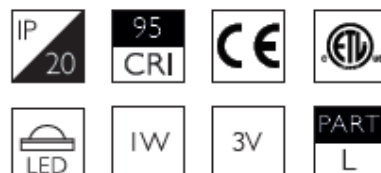
A - 2 Screw Fixing



B - M10 Fixing



If M10 stud is restricting installation contact us for removal



Brushed Aluminium	White 9010	Matte Anodised Black	Rubbed Bronze *	Polished Brass *	Brushed Brass *
761-AL-J06590	761-WH-J06590	761-EBA-J00590	761-RB-J00590	761-PB-J00590	761-SB-J06590

If M10 stud is restricting installation contact us for removal

For 3000K Substitute XX with 30

For 2700K Substitute XX with 97

*All Brass and Bronze finishes are made to order and subject to MOQ & extended lead time