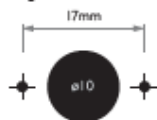


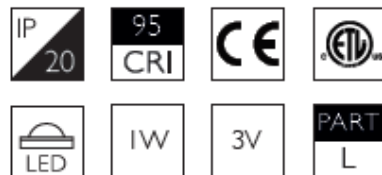
A - 2 Screw Fixing



B - M10 Fixing



If M10 stud is restricting installation contact us for removal



## Technical Description

Atto T is a miniature, display orientated LED spotlight that comes as standard in white, black and brushed aluminium finishes. It has four site changeable optics for flexible distribution. The narrow spot beam in our 1W 102lm module has a peak intensity of 794cd. The Atto T has 360 degree bearing aided rotation and 180 degree constant torque tilt mechanism, both lockable. There are 2 mounting methods, from the front using screws or from the rear using the M10 threaded stud - this can be factory removed as a custom order if it restricts installation.

## Mechanical & Electrical

**Category** Interior use only IP20

**Material** Aluminium | Brass

**Lockable** Pan & Tilt

**Accessories** Snoots

**Systems** Fixed monopoint

**Weight** 18g

**Forward Voltage** 3V

**Current** 350mA

## Finishes

**Finishes** Brushed Aluminium | Black | White | Brass | Custom\*

\* Please enquire as to the availability of non-standard Finishes

## Optical

**System Power** 1W

**Module Output** 102lm

**Absolute Output** 94lm

**Gear Type** Dimmable available

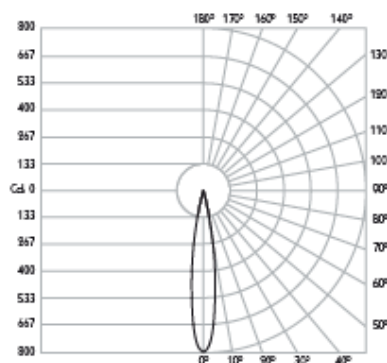
**Colour Temperature** 3000K\*

**CRI** 95 TYP

**TM-30** RF: 93 RG: 99

**Beam Angle** 16°

\*\* Photometry shown is correct for 3000K module. Please enquire for 2700K module output.



Distance	Beam Diameter	Footcandle (lx)
0.25m	0.07m	12,701 lx
0.50m	0.14m	3,175 lx
1.00m	0.28m	794 lx
2.00m	0.56m	198 lx
3.00m	0.84m	88 lx

Brushed Aluminium	White 0010	Matte Anodised Black	Rubbed Bronze *	Polished Brass *	Brushed Brass *
762-AL-XX0516	762-WH-XX0516	762-EPA-XX0516	762-RB-XX0516	762-PB-XX0516	762-SB-XX0516

If M10 stud is restricting installation contact us for removal

For 3000K Substitute XX with 30

For 2700K Substitute XX with 27

\*All Brass and Bronze finishes are made to order and subject to MOQ & extended lead time





## Technical Description

Atto T is a miniature, display orientated LED spotlight that comes as standard in white, black and brushed aluminium finishes. It has four site changeable optics for flexible distribution. The flood beam in our 1W 102lm module has a peak intensity of 109cd. The Atto T has 360 degree bearing aided rotation and 180 degree constant torque tilt mechanism, both lockable. There are 2 mounting methods, from the front using screws or from the rear using the M10 threaded stud - this can be factory removed as a custom order if it restricts installation.

## Mechanical & Electrical

**Category** Interior use only IP20

**Material** Aluminium | Brass

**Lockable** Pan & Tilt

**Accessories** Snoots

**Systems** Fixed monopoint

**Weight** 18g

**Forward Voltage** 3V

**Current** 350mA

## Finishes

**Finishes** Brushed Aluminium | Black | White | Brass | Custom\*

\* Please enquire as to the availability of non-standard Finishes

## Optical

**System Power** 1W

**Module Output** 102lm

**Absolute Output** 93lm

**Gear Type** Dimmable available

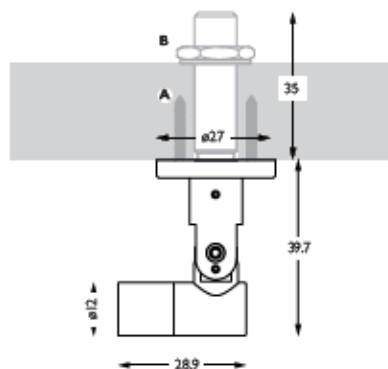
**Colour Temperature** 3000K\*

**CRI** 95 TYP

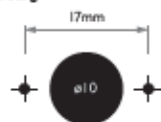
**TM-30** RF: 93 RG: 99

**Beam Angle** 45°

\*\* Photometry shown is correct for 3000K module. Please enquire for 2700K module output.



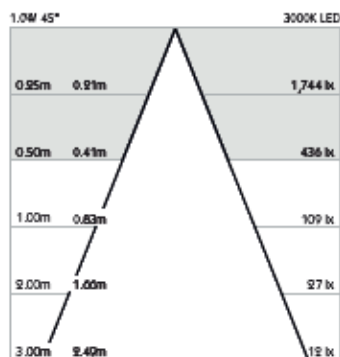
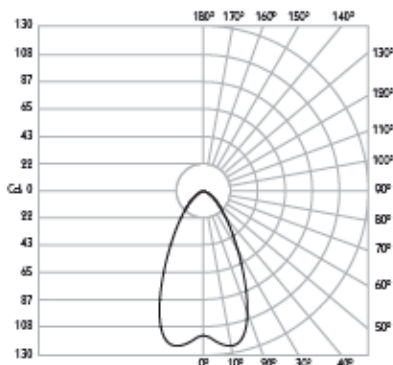
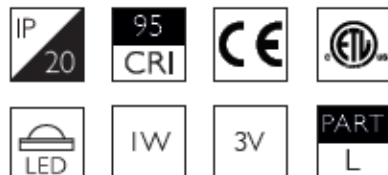
A - 2 Screw Fixing



B - M10 Fixing



If M10 stud is restricting installation contact us for removal



Brushed Aluminium 762-AL-XX0545	White 0010 762-WH-XX0545	Matte Anodised Black 762-EBA-XX0545	Rubbed Bronze * 762-RB-XX0545	Polished Brass * 762-PB-XX0545	Brushed Brass * 762-SB-XX0545
------------------------------------	-----------------------------	--	----------------------------------	-----------------------------------	----------------------------------

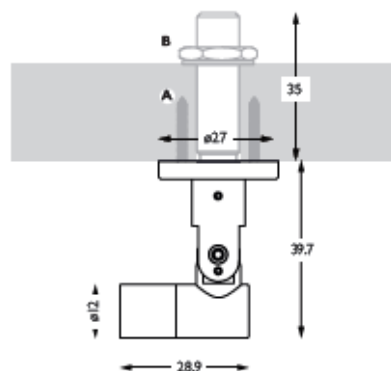
If M10 stud is restricting installation contact us for removal

For 3000K Substitute XX with 30

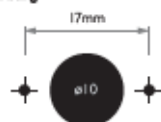
For 2700K Substitute XX with 27

\*All Brass and Bronze finishes are made to order and subject to MOQ & extended lead time

## WIDE FLOOD



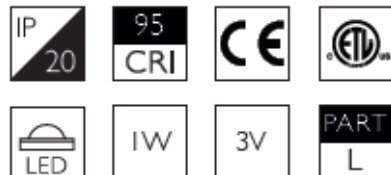
A - 2 Screw Fixing



B - M10 Fixing



If M10 stud is restricting installation contact us for removal



### Technical Description

Atto T is a miniature, display orientated LED spotlight that comes as standard in white, black and brushed aluminium finishes. It has four site changeable optics for flexible distribution. The wide flood beam in our 1W 102lm module has a peak intensity of 26cd. The Atto T has 360 degree bearing aided rotation and 180 degree constant torque tilt mechanism, both lockable. There are 2 mounting methods, from the front using screws or from the rear using the M10 threaded stud - this can be factory removed as a custom order if it restricts installation.

### Mechanical & Electrical

**Category** Interior use only IP20

**Material** Aluminium | Brass

**Lockable** Pan & Tilt

**Accessories** Snoots

**Systems** Fixed monopoint

**Weight** 18g

**Forward Voltage** 3V

**Current** 350mA

### Finishes

**Finishes** Brushed Aluminium | Black | White | Brass | Custom\*

\* Please enquire as to the availability of non-standard Finishes

### Optical

**System Power** 1W

**Module Output** 102lm

**Absolute Output** 69lm

**Gear Type** Dimmable available

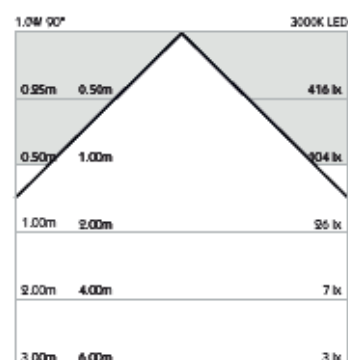
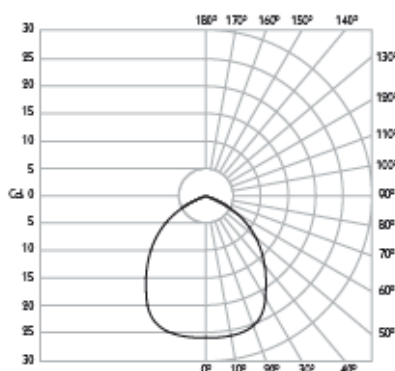
**Colour Temperature** 3000K\*

**CRI** 95 TYP

**TM-30** RF: 93 RG: 99

**Beam Angle** 90°

\*\* Photometry shown is correct for 3000K module. Please enquire for 2700K module output.



Brushed Aluminium	White 0010	Matte Anodized Black	Rubbed Bronze *	Polished Brass *	Brushed Brass *
762-AL-100590	762-WH-100590	762-EBA-100590	762-RB-100590	762-PB-100590	762-SB-100590

If M10 stud is restricting installation contact us for removal

For 3000K Substitute XX with 30

For 2700K Substitute XX with 27

\*All Brass and Bronze finishes are made to order and subject to MOQ & extended lead time