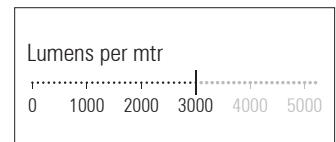
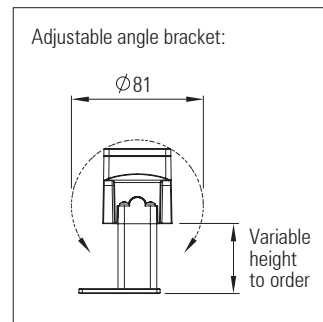
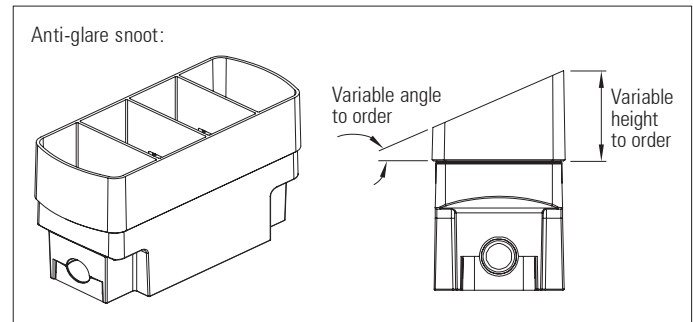
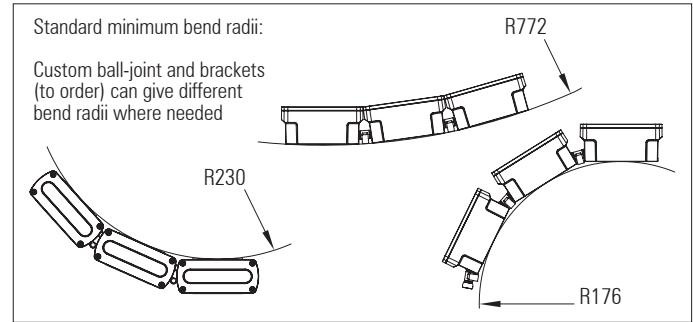
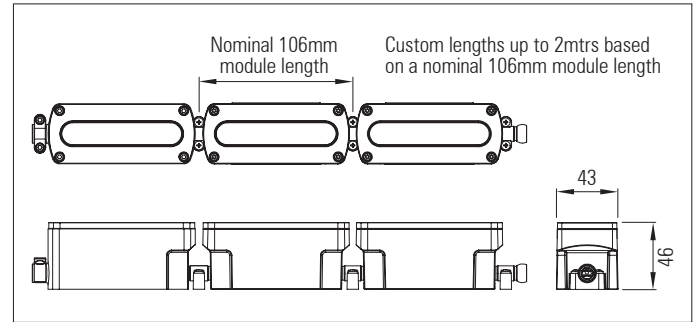


## 3D LED Flex system 40 IP68

2 or 4 x high power LEDs with lenses per module  
Modular, 3D flexible LED linear lighting system



### 2 or 4 x high power LEDs with lenses per module

Modular, 3D flexible LED linear lighting system

#### Product description:

For use in underwater applications where curved lines of light are needed

Each module - 2 or 4 x Cree XPE, XPG or XQE LEDs or Osram Oslon LEDs with Ledil Lisa or Larisa lenses

Up to 4 Watts per 100mm module

30 Volt - 48 Volt DC supply depending on application

Flexible in 3 dimensions - Articulated ball-joint system between modules

Submersible to 2 mtrs depth

System components cast in 316 L stainless steel - suitable for use in saline and chlorine environments including pools, fountains and marine projects

LED pitch is maintained between the modules

Side, back and end power feed options - continuous lighting between strips

Integral LV constant current driver - internal driver boards are potted in silicone resin

16 Amp IP68 connectors join strips together on-site

Dimming options available: 1-10V, DMX and DALI. Separate dimming channel

Various LED colour temperature and CRI options available

Satin black, satin white or any RAL paint colour finish

Custom lengths based on a 100 mm module up to 2 mtrs

Various mounting options and bracket types are available

Low iron UV block pressed glass windows are bonded to the module bodies

\* RGB, RGBW, RGBA and Dynamic-white options do not use a colour mixing lens

Product Code	No. of LEDs per mtr.	IP	Length (mm)	LED Type	Optics (°)	Colour Temp. (K)	CRI	Cover	Bracket Type	Feed	Finish
RAD 3D LED FLEX 40 IP68 HP - 4 L	40 LEDs per Mtr: 25mm pitch	68	100mm -increments of 100mm up to-	Cree: XPE XPG XQE	Ledil Larisa lens & Cree XPE LED: 19°, 30°, 50°, 40x20°	27=2,700k 30=3,000k 35=3,500k 40=4,000k 45=4,500k 50=5,000k * RGB * RGBW * RGBA * Dynamic white	80 90	Clear	Adjustable Fixed Custom	End Back Side	Black White Any RAL-colour
RAD 3D LED FLEX 40 IP68 HP - 2 L	20 LEDs per Mtr: 50mm pitch		2,000mm	Osram: Oslon	(Guide figures - see Ledil website for more options)						