



Product Description

The VEX-SPOT is an LED luminaire suitable for indoor and outdoor applications for architectural and general lighting purposes.

This VEX-SPOT uses a remote LED driver to power the luminaire. Driver dimming options are available. Lumen outputs vary between 1200 and 2350 lumens depending on white drive currents. Luminaire circuits are fitted with onboard temperature sensing.

The luminaire is offered in single white LED colour temperatures, Colour change formats in RGB, RGBA and RGBW and has various options for beam angles. It is ideal for applications such as architectural lighting, landscape, detail and spot lighting. Manufactured from powder coated die cast aluminium the luminaire offers unrivalled light output in a small form factor. Various beam angles are available for a multitude of light spreads.

Low voltage 12-24 V DC option available in single colour versions only.

Dimming options: Switched, 1-10V, DALI, DMX

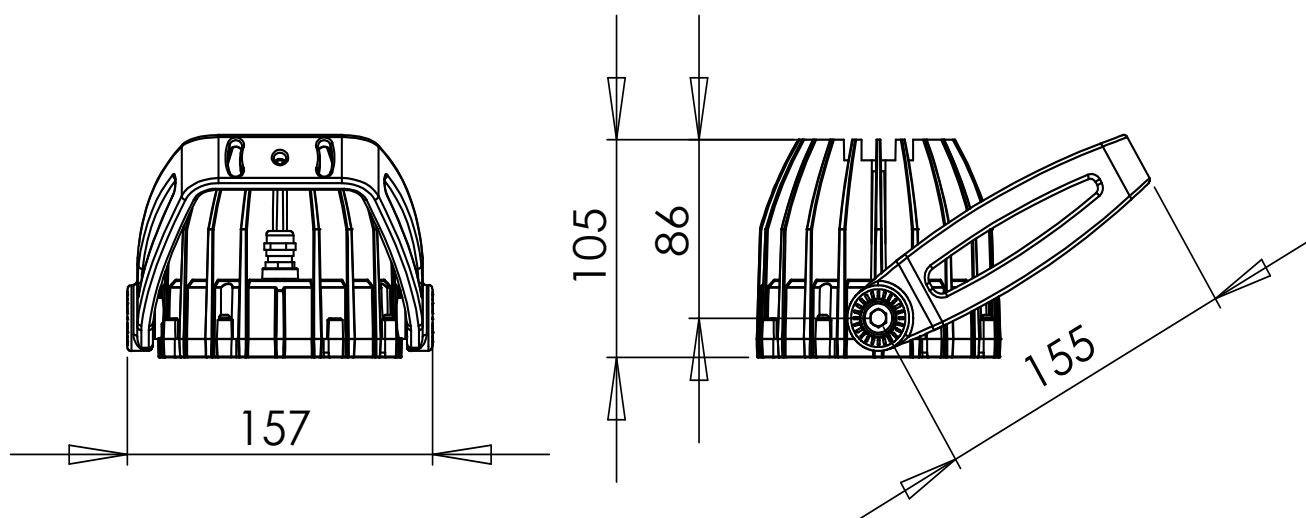
Colour change options: RGB, RGB+White, RGB+Amber

Optional ground spike can be ordered separately for landscape projects

Technical

| | | | |
|-------------------------|--|---|---------------------------------|
| LED Drive Current (mA) | 350 - 700 | Maximum System Watts | 33 |
| Driver Type | Constant Current | Remote Driver Input Voltage | 110-240 VAC |
| Connections | Hard Wired | Operating Temperature | -10 to + 40 |
| CRI | >85 | LED Type | HB LED |
| Number of LEDs | 12 | Expected Lifetime (Hrs) | 50,000 |
| Beam Angle (Degrees) | Pin spot, narrow, medium, wide, extra wide | CCT (K) (not color change) Lumen output for whites | 2700, 3000, 4000, 5000 >2350 |
| Dimensions (MM) | See Drawing | Weight (KG) | 1.5 |
| Ingress Protection (IP) | 67 | Finishes Available | RAL powder coated |

Dimensions



Order Code nomenclature

| Product | Type | Qty LEDs | Colour Temp | Beam Angle |
|---------|------|----------|-------------|------------------|
| VEX | Spot | 12 | 2700 K | PIN SPOT - 004 |
| | | | 3000 K | NARROW - 010 |
| | | | 4000 K | MEDIUM - 015 |
| | | | 5000 K | WIDE -025 |
| | | | RGB | EXTRA WIDE - 045 |
| | | | RGBW | |
| | | | RGBA | |

VEX-SPOT-12-4000-015

Product code example equates to a Vex Spot bracketed spot light containing 12 LED's in 4000 kelvin colour temperature with medium beam optics