



Product Description

The VEX-SPOT-REF is an LED luminaire suitable for indoor and outdoor applications for architectural lighting and general lighting purposes with integral LED driver and fitted snoot to reduce glare. The luminaire is fitted with a single LED reflector.

Lumen outputs vary between 1200 and 2400 lumens depending on drive currents.

The luminaire is offered in single white LED colour temperatures, RGB, RGBA and RGBW and has various options for beam angles. It is ideal for applications such as architectural lighting, landscape, detail and spot lighting. Manufactured from die cast aluminium the luminaire offers unrivalled light output in a small form factor.

Low voltage 12-24 V DC option available in single colour versions only.

Dimming options: Switched, 1-10V, DALI, DMX

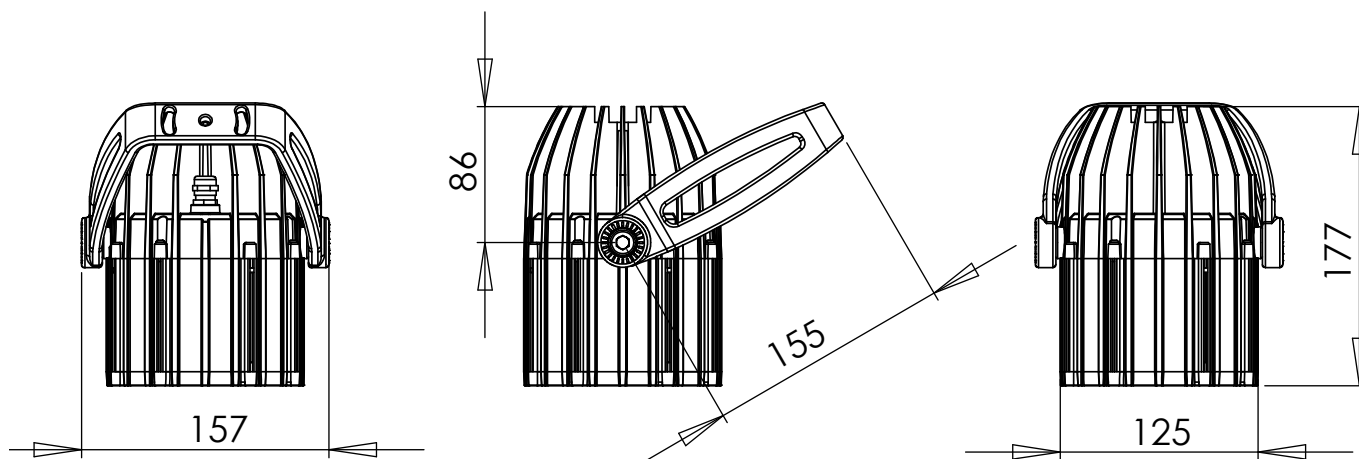
Colour change option: RGB, RGB+White, RGB+Amber

Optional ground spike can be ordered separately for landscape projects

Technical

LED Drive Current (mA)	350 - 1000	Maximum System Watts	30
Driver Type	Constant Current	Remote Driver Input Voltage	110-240 VAC
Connections	Hard Wired	Operating Temperature	-10 to + 40
CRI	70-85	LED Type	COB
Number of LEDs	1	Expected Lifetime (Hrs)	50,000
Beam Angle (Degrees)	Narrow, medium, wide	CCT (K)	2700, 3000, 4000, 5000
		Lumen output for whites	1200 - 2400
Dimensions (MM)	See Drawing	Weight (KG)	1.5
Ingress Protection (IP)	67	Finishes Available	RAL powder coated

Dimensions



Order Code nomenclature

Product	Type	Qty LEDs	Colour Temp	Beam Angle
VEX	Spot-Ref	1	2700 K	NARROW- 012
			3000 K	MEDIUM - 018
			4000 K	WIDE -042
			5000 K	
			RGB	
			RGBW	
			RGBA	

VEX-SPOT-Ref-1-4000-018

Product code example equates to a Vex Spot-Ref bracketed spot light containing 1 LED's in 4000 kelvin colour temperature with medium beam optics