

# MICRO FLARE™

Project Name:

Fixture Type:

Fixture Code:

Quantities:



MICRO FLARE™



# MICRO FLARE™

**MICRO FLARE** is about elegance and allure. Two splayed panels reveal an inner trim that creates the perception of a duplex material. The regressed end cap adds a fourth dimension to the seriffed profile and draws out the inner finish as a color accent. **MICRO FLARE** is perfect for interiors that call for textures and duotones. With a UGR <19, the LEDs are perfectly pitched to optimize light performance and visual light diffusion so that the inner trim is accentuated, not washed out. **MICRO FLARE** is a stylish expression of the performance light concept suitable for projects where aesthetics and function go hand in hand.

## GENERAL SPECIFICATION

### Body

Aluminum.

### Suspension

Steel cables.

### PoE

Can be integrated into your data network via Power over Ethernet (PoE) connectivity.

### Mechanical

Luminaires mount directly over J box (by others).

### Integral Emergency system

Emergency option provides a 1.5 hour (3 hours for EU) emergency lighting facility. The self contained system includes the inverter module, NiCad batteries, LED charge indicator and test switch (NA only). Not available with a 347V supply.

### Delivered lumens

Delivered lumens & LPW based on 4000K CRI 90+

### Design

US Design Patent Pending.

### Finish

Powder coated.

### Power cable

Silver braided.

### Drivers

HPF electronic drivers for 120-277V, 347 (EU-240V). Drivers are integral.

### Diffuser

Opal acrylic.

### Reported L70 @25°C (77°F)

> 60,000 hrs @ 1800 lumens/ft (5900 lumens/m)

### Estimated L70 @25°C (77°F)

> 165,000 hrs @ 1800 lumens/ft (5900 lumens/m)

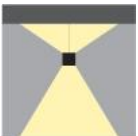
### Approvals

Damp Location (Indoor use only).

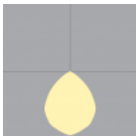
### Designed by

Serge Cornelissen.

## MOUNTING & OPTICS



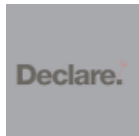
Suspended Direct/Indirect



Direct DD3



Indirect



Declare



PoE



# MICRO FLARE™

## HOW TO ORDER

### A. LUMINAIRE

**MFLR1P** Direct

**MFLR2P** Direct/Indirect

All data based on max values, consult Performance Data download for more details.  
One power cord for every 50 linear feet.

### B. LENGTH OF RUN

**SFA** \_ \_ \_ \_

Order in 2ft increments starting at 4ft

### C. MAX LENGTH PER SECTION

**SL04** 4ft

**SL06** 6ft

**SL08** 8ft

**SL10** 10ft

**SL12** 12ft

You can select the preferred maximum length per segment, to account for transportation and building constraints. Example: If a 40ft run is required and SL12 (3658mm) is selected, we would provide 4 3048mm segments. For special requirements, please contact sales@betacalco.com.

### D. LM/FT (DIRECT)

**LPF010** 100 lm/ft

**LPF020** 200 lm/ft

**LPF030** 300 lm/ft

**LPF040** 400 lm/ft

### E. LM/FT (INDIRECT)

**LPG000** Not required

**LPG020** 200 lm/ft

**LPG040** 400 lm/ft

**LPG060** 600 lm/ft

**LPG080** 800 lm/ft

**LPG100** 1000 lm/ft

**LPG120** 1200 lm/ft

**LPG140** 1400 lm/ft

### F. CRI

**CR90** CRI 90+

### G. CCT

**CTA30** 3000K

**CTA35** 3500K

**CTA40** 4000K

### H. DIFFUSER - DIRECT

**DD3** Diffused Light Diffuser

### I. DIFFUSER - INDIRECT (BATWING)

**UD0** Not required

**UD1** Clear diffuser

### J. UPLIGHT BLACKOUT PLATE

**UB00** Not required

**UB** \_ \_ Blackout plate <sup>1</sup>

<sup>1</sup> Available on a per foot basis. May be required to prevent lighting up of duct work in loft style applications.

### K. VOLTAGE

**V1** 120/277V

**V2** 240V <sup>1</sup>

**V3** 347V <sup>2</sup>

**V4** Low Voltage <sup>3</sup>

<sup>1</sup> Not available in North America.

<sup>2</sup> Only available with DA01 dimming.

<sup>3</sup> Only available with DA45 dimming.



# MICRO FLARE™

## L. DIMMING

**DA01** 0-10V Dimming 1.0%  
**DA30** DSI/switchDim<sup>2</sup>

**DA02** 0-10V Dimming 0.1%<sup>1</sup>  
**DA45** PoE<sup>3</sup>

**DA20** DALI Dimming 0.1%<sup>1</sup>

**DA21** DALI Dimming 1.0%<sup>1</sup>

<sup>1</sup> Not available with V3.

<sup>2</sup> Not available in North America.

<sup>3</sup> Only available with V4.

## M. CEILING TYPE

**G1** Grid ceiling<sup>1</sup>

**H1** Hard ceiling<sup>2</sup>

<sup>1</sup> Combo kit includes installation to T-bar and through tile mount.

<sup>2</sup> Designed for drywall ceilings.

## N. SUSPENSION

**HLA03** 3ft cable suspension

**HLA06** 6ft cable suspension

**HLA09** 9ft cable suspension

## O. FIXTURE FINISH

**FA01** White

**FA02** Black Metallic - Textured

**FA20** Silver Metallic - Textured

**FA53** Red Metallic Textured

## P. INSIDE TRIM FINISH

**FB01** White

**FB02** Black Metallic - Textured

**FB20** Silver Metallic - Textured

**FB25** Gold Metallic

**FB53** Red Metallic - Textured

## Q. CANOPY FINISH

**CF01** White

**CF02** Black Metallic - Textured

**CF20** Silver Metallic - Textured

**CF53** Red Metallic Textured

## R. EMERGENCY

**E0** Not required

**E1** Emergency system - Integral

**E3** Emergency generated circuit<sup>1</sup>

<sup>1</sup> Available upon request, consult factory for details. Not available with 347V.

## S. CIRCUITS

**CS1** Single circuit

**CS2** Dual circuit

## T. SENSORS

**SR00** Not required

**SR** Enlighted<sup>1</sup>

**ST** Osram Encelium<sup>1</sup>

**SV** Philips<sup>1</sup>

<sup>1</sup> Available upon request, consult factory for details. Not available with 347V.



# MICRO FLARE™

## TECHNICAL DATA

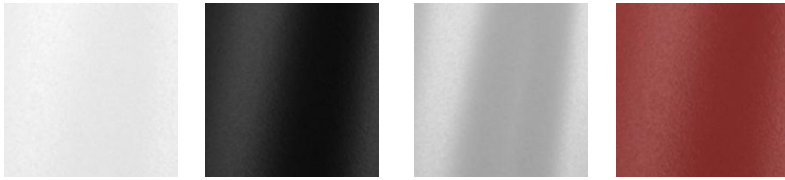
### LUMINAIRE

All data based on max values, consult Performance Data download for more details.

One power cord for every 50 linear feet.

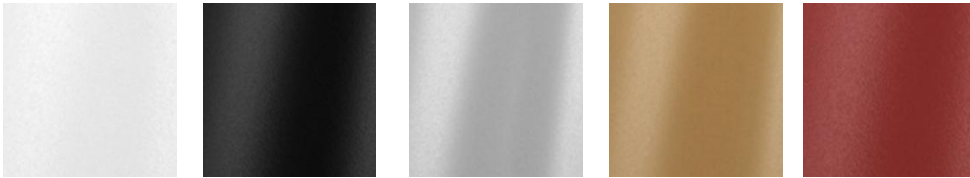
Code	MFLR1P	MFLR2P
Light Direction	Direct	Direct/Indirect
Lms/Ft Direct	400	400
Lms/ft Indirect		1400
Watts/Ft Direct	5	5
Watts/Ft Indirect		12
LPW Direct	109	109
LPW Indirect		144

### FIXTURE FINISH



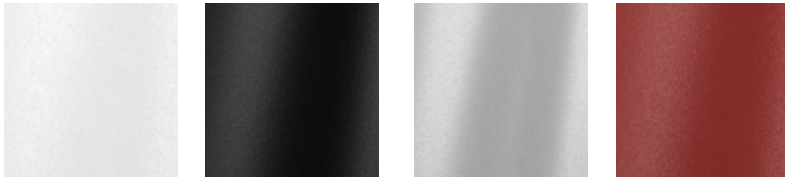
White Black Metallic - Textured Silver Metallic - Textured Red Metallic Textured

### INSIDE PANEL FINISH



White Black Metallic - Textured Silver Metallic - Textured Gold Metallic Red Metallic - Textured

### CANOPY FINISH



White Black Metallic - Textured Silver Metallic - Textured Red Metallic Textured

### APPROVALS

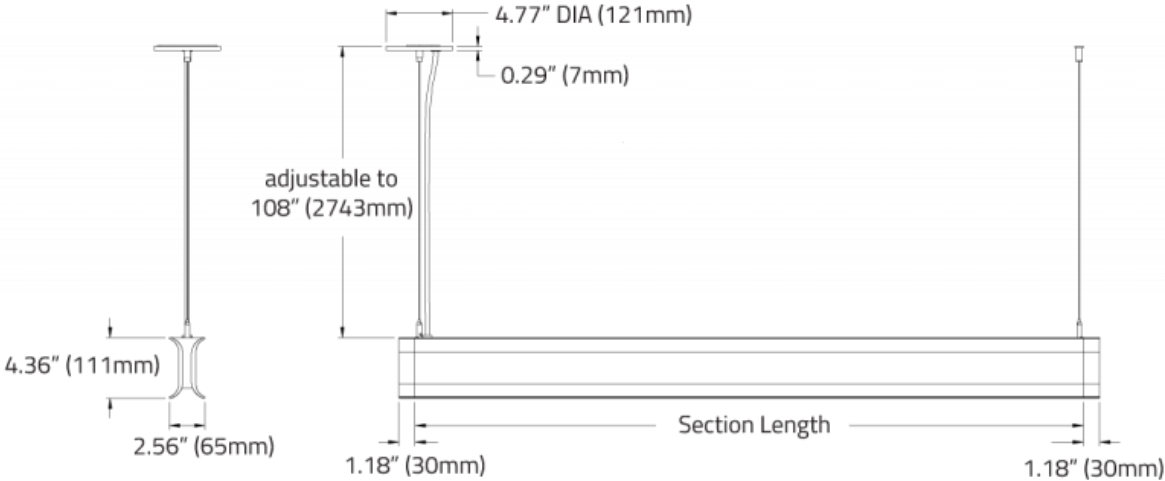


# MICRO FLARE™

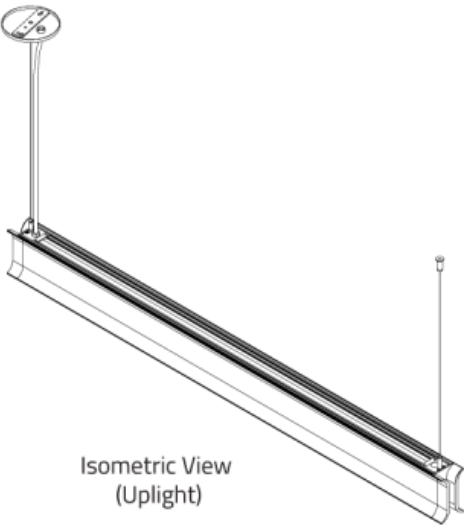
## DIMENSIONAL DIAGRAMS



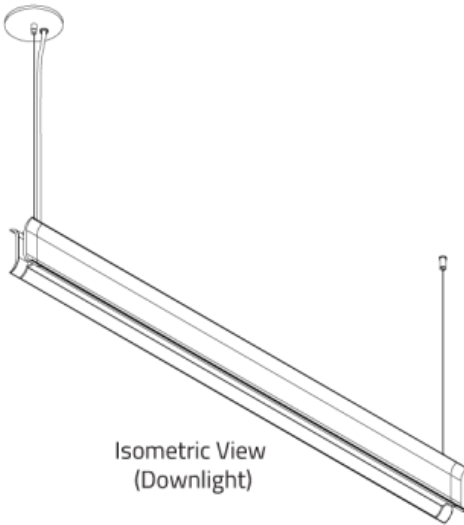
Top View (Uplight)



Bottom View (Downlight)



Isometric View (Uplight)



Isometric View (Downlight)