

MIDI ARC RING™

Project Name:

Fixture Type:

Fixture Code:

Quantities:



MIDI ARC RING™



MIDI ARC RING™

The curved edge softens the classic architectural form and raises the impact of distinctive spaces. Giving more curve to the curve, the smooth edges of **MIDI ARC** add a sleek and enticing appearance.

GENERAL SPECIFICATION

Finish

Powder coated or polished.

Power cable

Silver braided.

Remote emergency

Emergency option provides a 1.5 hour (3hours for EU) emergency lighting facility. The remote system includes the inverter module, NiCad batteries and a remote wall/ceiling LED charge indicator and test switch. Maximum distance between wall/ceiling plate and luminaire is 15' (4.5m). Test switch fits a single gang box (not supplied).

PoE

Midi Arch Ring can integrate into your data network via Power over Ethernet (PoE) connectivity.

Mechanical

Luminaires mount directly over J box (by others).

Acoustic Panels Class A Fire Rating

ASTM E-84 material.

Acoustic Panels Thickness

12mm (0.5").

L70 @25°C (77°F)

> 60,000 hrs.

Design

US Pat. No. D898,979.

Suspension

Steel cables.

Diffuser

Opal acrylic.

Remote mounting of drivers

Wire size 18 AWG - max distance (from fixture to drivers) 40' (12.2m), wire size 16 AWG - max distance 60' (18.3m), wire size 14 AWG - max distance 90' (27.4m). Drivers must be accessible after installation.

Drivers

HPF electronic drivers for 120-277V (EU-240V).

Acoustic Panels NRC Rating

0.80.

Acoustic Panels Material

100% recycled polyester fiber (PET).

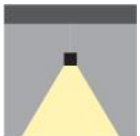
Delivered lumens

Delivered lumens & LPW based on 4000K CRI 80+

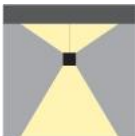
Approvals

Damp Rated.

MOUNTING & OPTICS



Suspended Direct



Suspended Direct/Indirect



Declare



PoE



MIDI ARC RING™

HOW TO ORDER

A. LUMINAIRE

MARP1P04 48" Direct, 4100 lms

MARP1P05 60" Direct, 5100 lms

MARP1P06 72" Direct, 6100 lms

MARP1P07 84" Direct, 7200 lms

MARP2P04 48" Direct/Indirect, 8200 lms

MARP2P05 60" Direct/Indirect, 10200 lms

MARP2P06 72" Direct/Indirect, 12200 lms

MARP2P07 84" Direct/Indirect, 14400 lms

Lumens shown are at max value.

B. LUMENS (DIRECT)

LPF015 150 lms/ft¹

LPF022 225 lms/ft²

LPF030 300 lms/ft³

Values shown are nominal.

¹ Based on 50% of total output

² Based on 75% of total output

³ 100% of total output

C. LUMENS (INDIRECT)

LPG000 Not required

LPG015 150 lms/ft¹

LPG022 225 lms/ft²

LPG030 300 lms/ft³

Values shown are nominal.

¹ Based on 50% of total output

² Based on 75% of total output

³ 100% of total output

D. CRI

CR80 CRI 80+

CR90 CRI 90+

E. CCT (DIRECT)

CTA30 3000K

CTA35 3500K

CTA40 4000K

F. CCT (INDIRECT)

CTB00 Not required

CTB30 3000K

CTB35 3500K

CTB40 4000K

G. VOLTAGE

V1 120/277V

V2 240V¹

¹ Not available in North America

H. SUSPENSION

SS1 Vertical, Remote driver

SS2 Hub, Remote driver^{1 2}

SS3 Vertical, Integral driver²

SS4 Hub, Integral driver^{1 2}

¹ Not available with MARP1P06 and MARP1P07

² Not available with MARP2P06 and MARP2P07

I. DIMMING

DA01 0-10V Dimming 1.0%

DA02 0-10V Dimming 0.1%¹

DA20 DALI Dimming 0.1%¹

DA21 DALI Dimming 1.0%¹

DA30 DSI/switchDim²

¹ Not available with MARP2P05, MARP2P06 and MARP2P07.

² Not available in North America.



MIDI ARC RING™

J. FIXTURE FINISH

FA56 White - Gloss	FA02 Black Metallic - Textured	FA20 Silver Metallic - Textured	FA25 Gold Metallic
FA42 Polished Aluminum - Mirror finish	FA44 Midnight Blue Metallic - Textured	FA45 Copper Metallic	FA46 Charcoal Metallic - Textured
FA47 Bronze Metallic - Textured	FA52 Champagne Metallic	FA53 Red Metallic - Textured	

K. CANOPY FINISH

CF01 White	CF56 White - Gloss	CF02 Black Metallic - Textured	CF20 Silver Metallic - Textured
CF25 Gold Metallic	CF44 Midnight Blue Metallic - Textured	CF45 Copper Metallic	CF46 Charcoal Metallic - Textured
CF47 Bronze Metallic - Textured	CF52 Champagne Metallic	CF53 Red Metallic - Textured	

L. ACOUSTIC PANEL FINISH

AP00 Not required	AP04 White	AP13 Apple Green	AP22 Blue
AP11 Light Gray	AP26 Sesame Gray	AP27 Black	

Available for 48" diameter. Larger sizes available with seam, consult factory for details.
For accompanying non-illuminating acoustic panels see our Acoustic Circles, Quads and Triangles spec pages.

M. EMERGENCY

E0 Not required	E2 Emergency system - Remote
------------------------	-------------------------------------

N. CIRCUIT

CS1 Single circuit	CS2 Dual circuit
---------------------------	-------------------------



MIDI ARC RING™

TECHNICAL DATA

LUMINAIRE

Lumens shown are at max value.

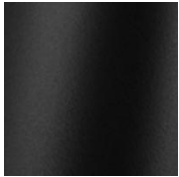
Code	MARP1P04	MARP1P05	MARP1P06	MARP1P07	MARP2P04	MARP2P05
Diameter (A)	48"	60"	72"	84"	48"	60"
Lm/ft Down	300	300	300	300	300	300
Lm/ft Up					300	300
Lms Down	4100	5100	6100	7200	4100	5100
Lms Up					4100	5100
Wattage	40W	54W	64W	76W	86W	108W
LPW	95	95	95	95	95	95
Suspension Points	3	3	4	4	3	3

Code	MARP2P06	MARP2P07
Diameter (A)	72"	84"
Lm/ft Down	300	300
Lm/ft Up	300	300
Lms Down	6100	7200
Lms Up	6100	7200
Wattage	128W	152W
LPW	95	95
Suspension Points	4	4

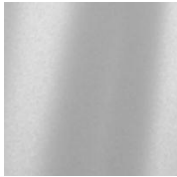
FIXTURE FINISH



White - Gloss



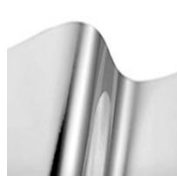
Black Metallic -
Textured



Silver Metallic -
Textured



Gold Metallic



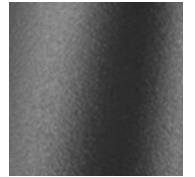
Polished Aluminum -
Mirror finish



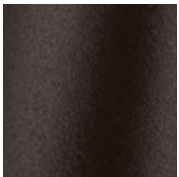
Midnight Blue Metallic -
Textured



Copper Metallic



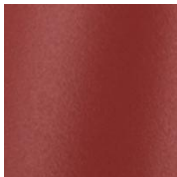
Charcoal Metallic -
Textured



Bronze Metallic -
Textured



Champagne Metallic

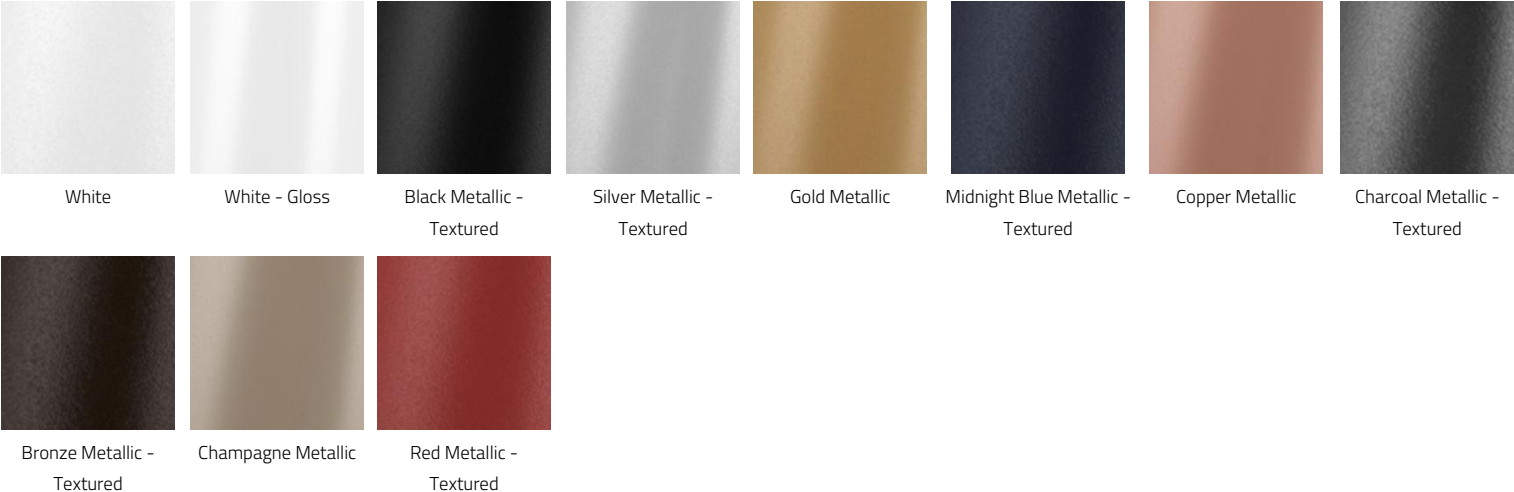


Red Metallic -
Textured

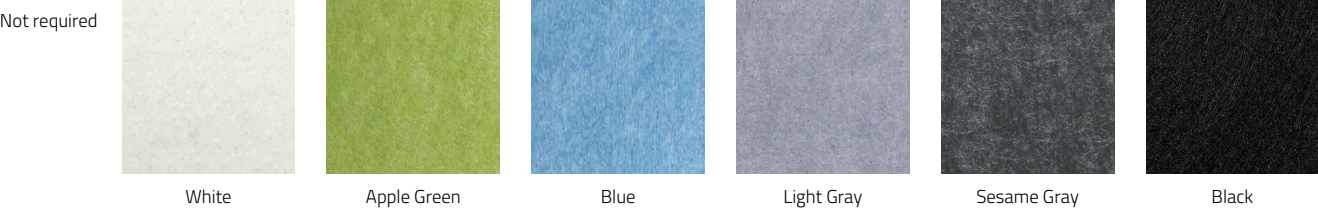


MIDI ARC RING™

CANOPY FINISH



ACOUSTIC PANEL FINISH



Available for 48" diameter. Larger sizes available with seam, consult factory for details.
 For accompanying non-illuminating acoustic panels see our Acoustic Circles, Quads and Triangles spec pages.

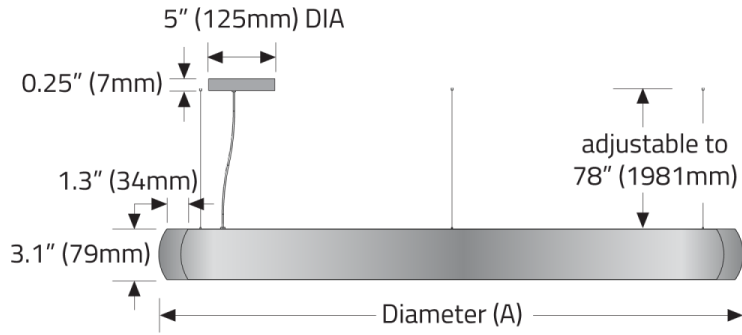
APPROVALS



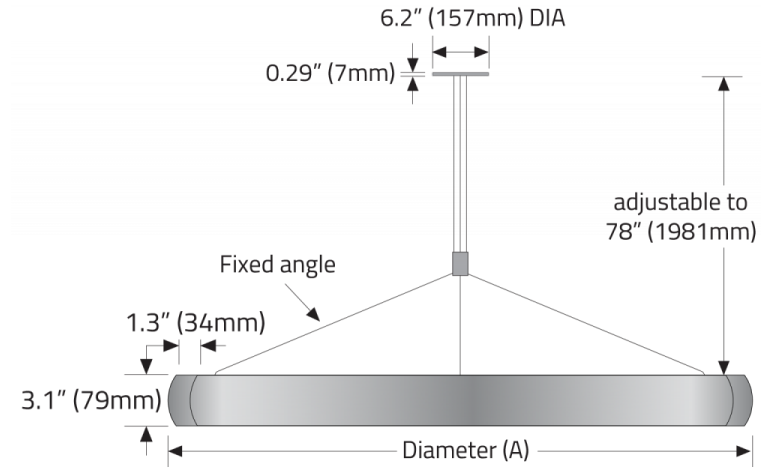
MIDI ARC RING™

DIMENSIONAL DIAGRAMS

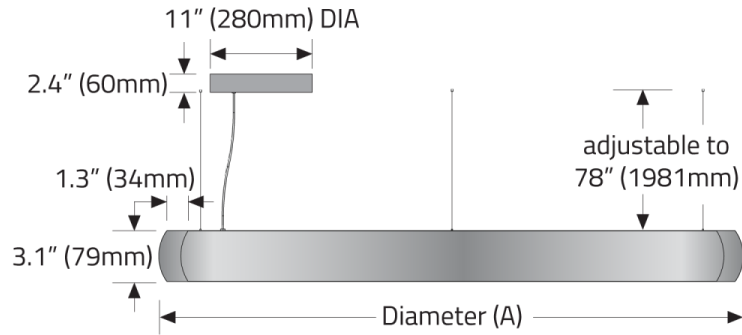
SS1 VERTICAL - REMOTE DRIVER



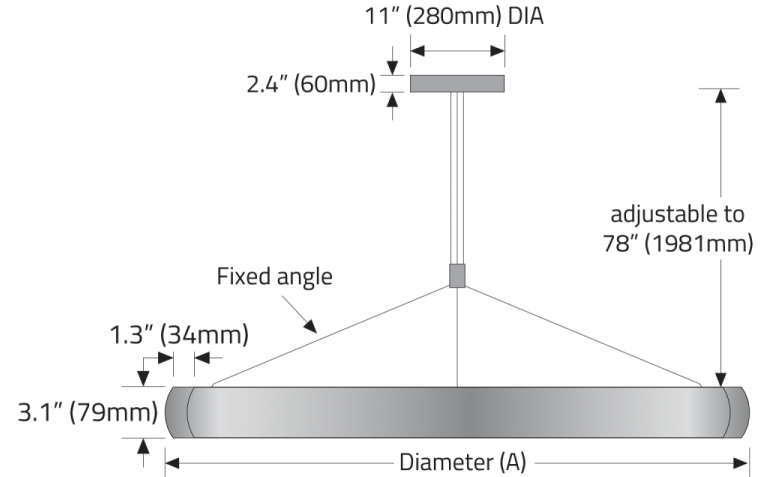
SS2 HUB - REMOTE DRIVER



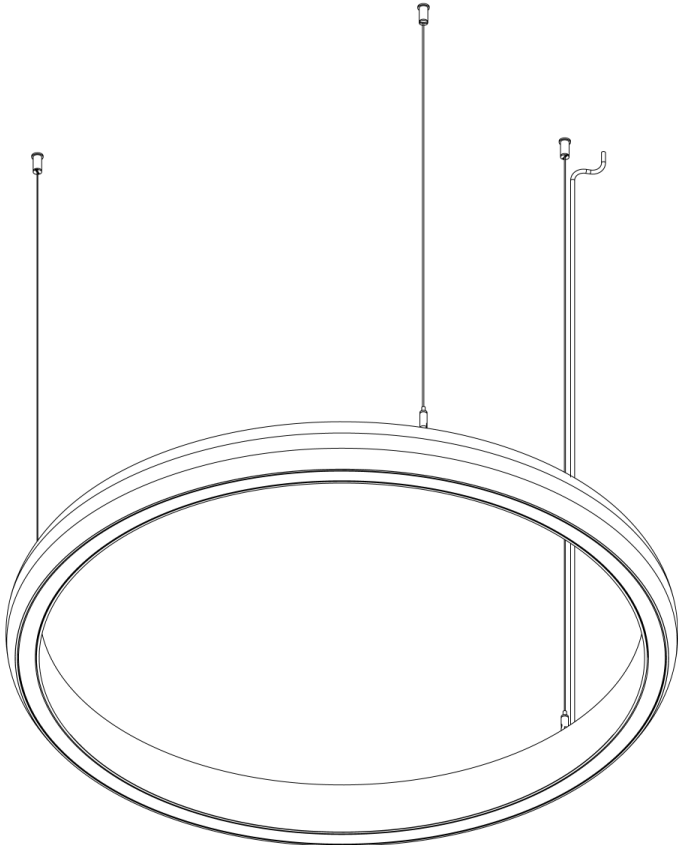
SS3 VERTICAL - INTEGRAL DRIVER



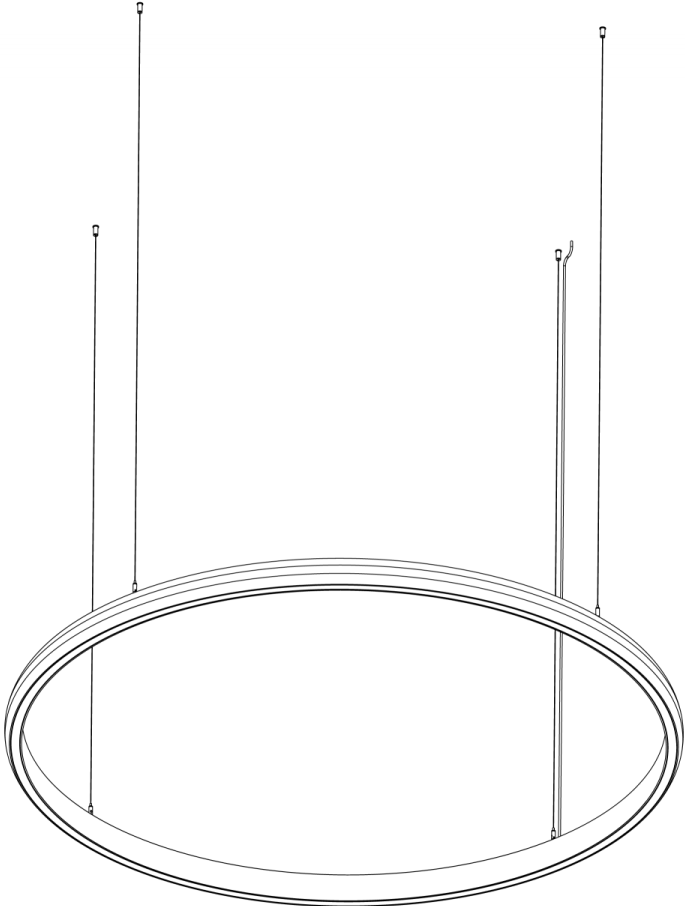
SS4 HUB - INTEGRAL DRIVER



MIDI ARC RING™



ISOMETRIC VIEW - 3 Suspension Points
48" (1219mm)
60" (1524mm)



ISOMETRIC VIEW - 4 Suspension Points
72" (1829mm)
84" (2134mm)