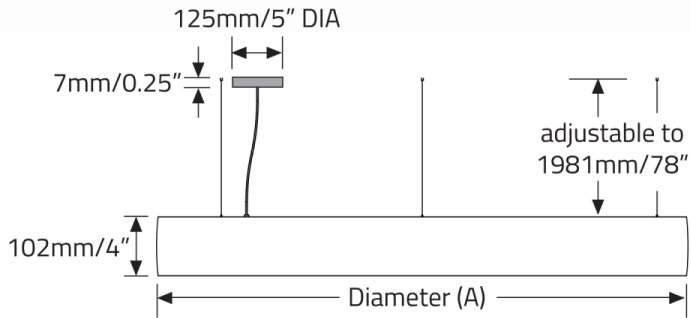
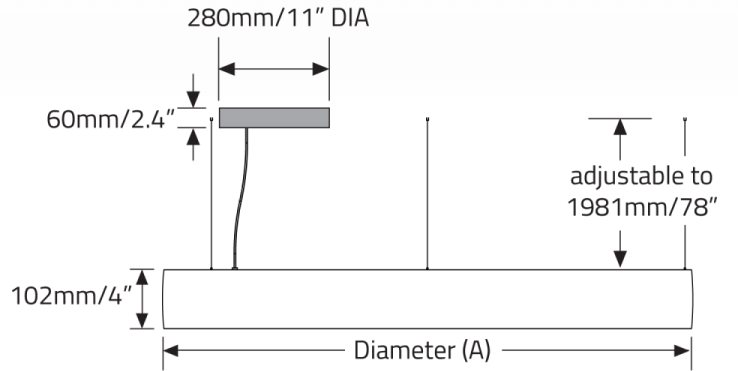


Cerchio II™ - Dimensional Diagrams

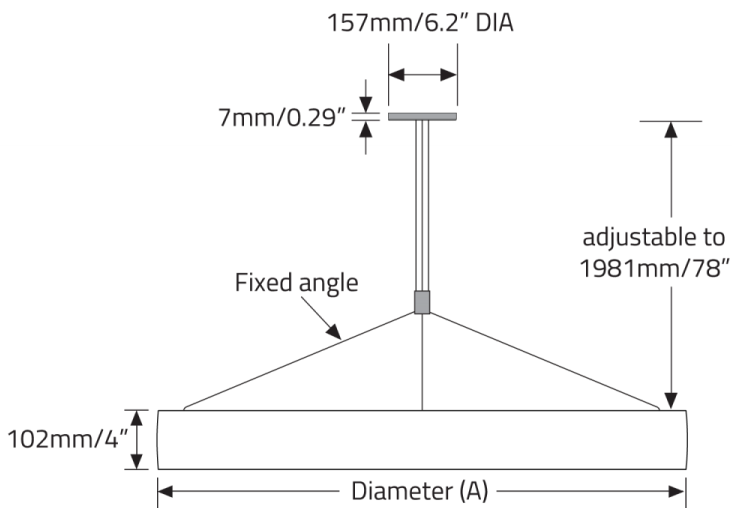
P1 - Vertical, Remote Driver



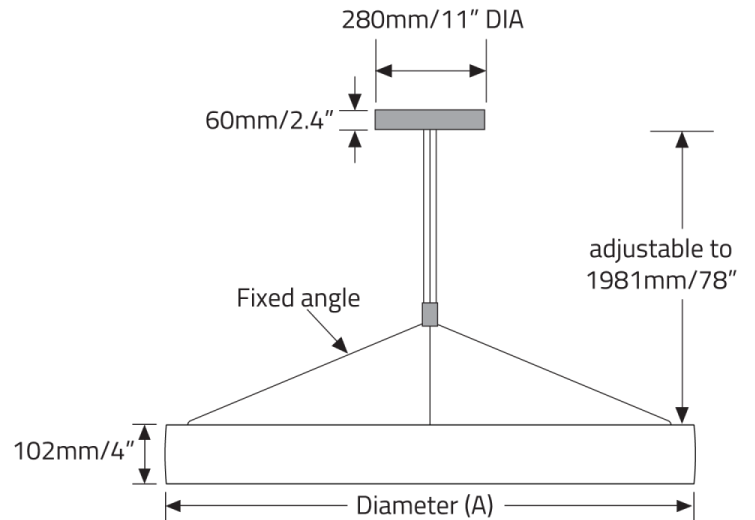
P3 - Vertical, Integral Driver



P2 - Hub, Remote Driver



P4 - Hub, Integral Driver



Cerchio II™ - Dimensional Diagrams

