

# Microline Dotless

8 x 7 | 9 x 9 | 12 x 9



## Body

Surface-mounted modular system in extruded aluminum with dotless light effect.  
Available in different length configurations starting from 50mm with an increment of 45mm.  
It also includes magnets for easy installation, along with U mounting clips or L mounting brackets.  
Different square section: 8x7mm, 9x9mm, 12x9mm.

Mounting options:  
U mounting clips.  
L mounting brackets.

**\* Plastic free packaging.**

## Accessories

Mounting accessories included.  
Power extension cable Art. 2D58 to be ordered separately.

## Finish

Anodized black, white, brass polished, gold or aluminium finish. Other finish options available on request.

## LED sources

SMD.  
CRI: 93 & 97 | R9: >90 | CCT: 1800K, 2200K, 2400K, 2700K, 3000K, 3500K, 4000K.  
3-Step MacAdam.  
Other CRI and CCT options available on request.

## Optic

Microline 8x7 : Opal Rigid Diffuser (RD).  
Microline 9x9 : U Shaped Diffuser (UD).  
Microline 12x9 : U Shaped Diffuser (UD).

## Driver

Driver not included to be ordered separately.  
Work with 24V Constant Voltage LED Driver, max. 3A positioned remotely.

## Applications

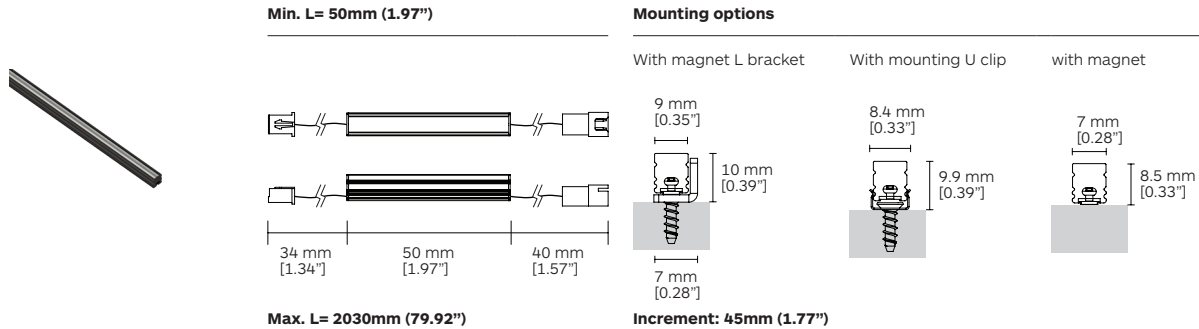
Miniature linear light with a disappearing look delivers a homogenous and diffuse light effect, making it the ideal product for showcase and under-cabinet illumination.  
Application areas: Retail, cabinet displays, showcases, jewelry displays, residential, restaurants, museums.

## Related Products

**Microline**  
**7 x 7**



# Microline 8 x 7 Dotless | 16W/m & 14W/m | G480



## Available length codes <sup>1</sup>

LED Power	Length code	Length in mm	Length in inches	Nominal Lumen	LED Power	Length code	Length in mm	Length in inches	Nominal Lumen
0.72W	<b>0050</b>	50	1.97	73 lm	17.28W	<b>1085</b>	1085	42.72	1752 lm
1.44W	<b>0095</b>	95	3.74	146 lm	18W	<b>1130</b>	1130	44.49	1825 lm
2.16W	<b>0140</b>	140	5.51	219 lm	18.72W	<b>1175</b>	1175	46.26	1898 lm
2.88W	<b>0185</b>	185	7.28	292 lm	19.44W	<b>1220</b>	1220	48.03	1971 lm
3.60W	<b>0230</b>	230	9.06	365 lm	20.16W	<b>1265</b>	1265	49.80	2044 lm
4.32W	<b>0275</b>	275	10.83	438 lm	20.88W	<b>1310</b>	1310	51.57	2117 lm
5.04W	<b>0320</b>	320	12.60	511 lm	21.60W	<b>1355</b>	1355	53.35	2190 lm
5.76W	<b>0365</b>	365	14.37	584 lm	22.32W	<b>1400</b>	1400	55.12	2263 lm
6.48W	<b>0410</b>	410	16.14	657 lm	23.04W	<b>1445</b>	1445	56.89	2336 lm
7.20W	<b>0455</b>	455	17.91	730 lm	23.76W	<b>1490</b>	1490	58.66	2409 lm
7.92W	<b>0500</b>	500	19.69	803 lm	24.48W	<b>1535</b>	1535	60.43	2482 lm
8.64W	<b>0545</b>	545	21.46	876 lm	25.20W	<b>1580</b>	1580	62.20	2555 lm
9.36W	<b>0590</b>	590	23.23	949 lm	25.92W	<b>1625</b>	1625	63.98	2628 lm
10.08W	<b>0635</b>	635	25.00	1022 lm	26.64W	<b>1670</b>	1670	65.75	2701 lm
10.80W	<b>0680</b>	680	26.77	1095 lm	27.36W	<b>1715</b>	1715	67.52	2774 lm
11.52W	<b>0725</b>	725	28.54	1168 lm	28.08W	<b>1760</b>	1760	69.29	2847 lm
12.24W	<b>0770</b>	770	30.31	1241 lm	28.80W	<b>1805</b>	1805	71.06	2920 lm
12.96W	<b>0815</b>	815	32.09	1314 lm	29.52W	<b>1850</b>	1850	72.83	2993 lm
13.68W	<b>0860</b>	860	33.86	1387 lm	30.24W	<b>1895</b>	1895	74.61	3066 lm
14.40W	<b>0905</b>	905	35.63	1460 lm	30.96W	<b>1940</b>	1940	76.38	3139 lm
15.12W	<b>0950</b>	950	37.40	1533 lm	31.68W	<b>1985</b>	1985	78.15	3212 lm
15.84W	<b>0995</b>	995	39.17	1606 lm	32.40W	<b>2030</b>	2030	79.92	3285 lm
16.56W	<b>1040</b>	1040	40.94	1679 lm					

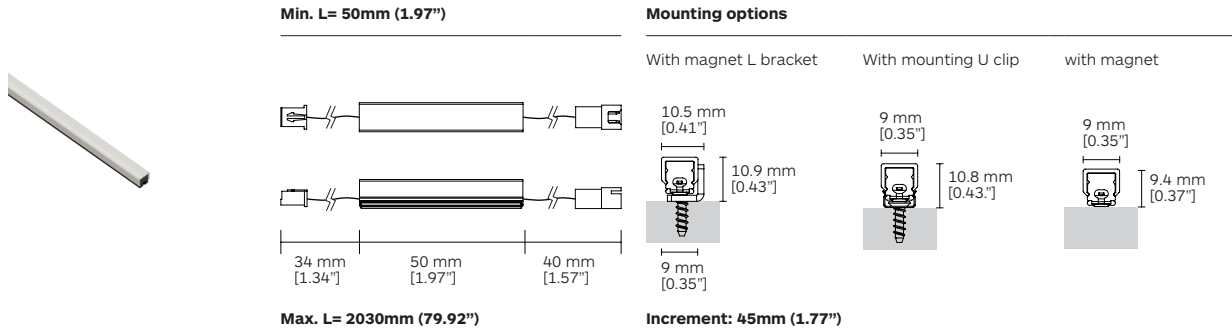
Code ordering example: **G 4 8 0 0 0 5 0 - 9 7 2 7 R D 0 0 1 0**

	Product code*	Length code***	>CRI	CCT**	LED Power	Nominal Lumen	Diffuser	Light Source Code	Finish	
Microline 8 x 7 Dotless	<b>G480</b>	Min. <b>0050</b> ⋮ Max. <b>2030</b>	<b>97</b>	<b>27</b> 2700K	16W/m	1526 lm/m	<b>RD</b>	<b>00</b>	<b>10</b> ■ Black	
				<b>30</b> 3000K		1614 lm/m			<b>11</b> □ White	
				<b>35</b> 3500K		1636 lm/m			<b>28</b> ■ Brass Polished	
				<b>40</b> 4000K	14W/m	1658 lm/m			<b>3Y</b>	<b>35</b> ■ Gold
				<b>93</b> <b>18</b> 1800K		951 lm/m				<b>70</b> ■ Aluminium
				<b>22</b> 2200K		1128 lm/m				
				<b>95</b> <b>24</b> 2400K		1194 lm/m				

### Notes:

<sup>1</sup> Information in the chart above is related to 3000K LED.

# Microline 9 x 9 Dotless | 16W/m & 14W/m | G481



## Available length codes <sup>1</sup>

LED Power	Length code	Length in mm	Length in inches	Nominal Lumen	LED Power	Length code	Length in mm	Length in inches	Nominal Lumen
0.72W	<b>0050</b>	50	1.97	73 lm	17.28W	<b>1085</b>	1085	42.72	1752 lm
1.44W	<b>0095</b>	95	3.74	146 lm	18W	<b>1130</b>	1130	44.49	1825 lm
2.16W	<b>0140</b>	140	5.51	219 lm	18.72W	<b>1175</b>	1175	46.26	1898 lm
2.88W	<b>0185</b>	185	7.28	292 lm	19.44W	<b>1220</b>	1220	48.03	1971 lm
3.60W	<b>0230</b>	230	9.06	365 lm	20.16W	<b>1265</b>	1265	49.80	2044 lm
4.32W	<b>0275</b>	275	10.83	438 lm	20.88W	<b>1310</b>	1310	51.57	2117 lm
5.04W	<b>0320</b>	320	12.60	511 lm	21.60W	<b>1355</b>	1355	53.35	2190 lm
5.76W	<b>0365</b>	365	14.37	584 lm	22.32W	<b>1400</b>	1400	55.12	2263 lm
6.48W	<b>0410</b>	410	16.14	657 lm	23.04W	<b>1445</b>	1445	56.89	2336 lm
7.20W	<b>0455</b>	455	17.91	730 lm	23.76W	<b>1490</b>	1490	58.66	2409 lm
7.92W	<b>0500</b>	500	19.69	803 lm	24.48W	<b>1535</b>	1535	60.43	2482 lm
8.64W	<b>0545</b>	545	21.46	876 lm	25.20W	<b>1580</b>	1580	62.20	2555 lm
9.36W	<b>0590</b>	590	23.23	949 lm	25.92W	<b>1625</b>	1625	63.98	2628 lm
10.08W	<b>0635</b>	635	25.00	1022 lm	26.64W	<b>1670</b>	1670	65.75	2701 lm
10.80W	<b>0680</b>	680	26.77	1095 lm	27.36W	<b>1715</b>	1715	67.52	2774 lm
11.52W	<b>0725</b>	725	28.54	1168 lm	28.08W	<b>1760</b>	1760	69.29	2847 lm
12.24W	<b>0770</b>	770	30.31	1241 lm	28.80W	<b>1805</b>	1805	71.06	2920 lm
12.96W	<b>0815</b>	815	32.09	1314 lm	29.52W	<b>1850</b>	1850	72.83	2993 lm
13.68W	<b>0860</b>	860	33.86	1387 lm	30.24W	<b>1895</b>	1895	74.61	3066 lm
14.40W	<b>0905</b>	905	35.63	1460 lm	30.96W	<b>1940</b>	1940	76.38	3139 lm
15.12W	<b>0950</b>	950	37.40	1533 lm	31.68W	<b>1985</b>	1985	78.15	3212 lm
15.84W	<b>0995</b>	995	39.17	1606 lm	32.40W	<b>2030</b>	2030	79.92	3285 lm
16.56W	<b>1040</b>	1040	40.94	1679 lm					

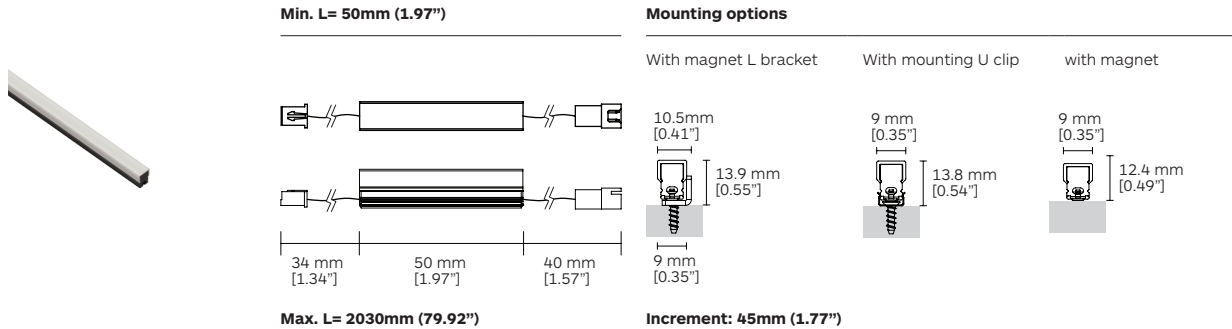
Code ordering example: **G 4 8 1 0 0 5 0 - 9 7 2 7 U D 0 0 1 0**

	Product code*	Length code***	>CRI	CCT**	LED Power	Nominal Lumen	Diffuser	Light Source Code	Finish	
Microline 9 x 9 Dotless	<b>G481</b>	Min. <b>0050</b> : Max. <b>2030</b>	<b>97</b>	<b>27</b> 2700K	16W/m	1526 lm/m	<b>UD</b>	<b>00</b>	<b>10</b> ■ Black	
				<b>30</b> 3000K		1614 lm/m			<b>11</b> □ White	
				<b>35</b> 3500K		1636 lm/m			<b>28</b> ■ Brass Polished	
				<b>40</b> 4000K		1658 lm/m			<b>35</b> ■ Gold	
			<b>93</b>	<b>18</b> 1800K	14W/m	951 lm/m			<b>3Y</b>	<b>70</b> ■ Aluminium
				<b>22</b> 2200K		1128 lm/m				
				<b>24</b> 2400K		1194 lm/m				

## Notes:

<sup>1</sup> Information in the chart above is related to 3000K LED.

# Microline 12 x 9 Dotless | 16W/m & 14W/m | G482



## Available length codes <sup>1</sup>

LED Power	Length code	Length in mm	Length in inches	Nominal Lumen	LED Power	Length code	Length in mm	Length in inches	Nominal Lumen
0.72W	<b>0050</b>	50	1.97	73 lm	17.28W	<b>1085</b>	1085	42.72	1752 lm
1.44W	<b>0095</b>	95	3.74	146 lm	18W	<b>1130</b>	1130	44.49	1825 lm
2.16W	<b>0140</b>	140	5.51	219 lm	18.72W	<b>1175</b>	1175	46.26	1898 lm
2.88W	<b>0185</b>	185	7.28	292 lm	19.44W	<b>1220</b>	1220	48.03	1971 lm
3.60W	<b>0230</b>	230	9.06	365 lm	20.16W	<b>1265</b>	1265	49.80	2044 lm
4.32W	<b>0275</b>	275	10.83	438 lm	20.88W	<b>1310</b>	1310	51.57	2117 lm
5.04W	<b>0320</b>	320	12.60	511 lm	21.60W	<b>1355</b>	1355	53.35	2190 lm
5.76W	<b>0365</b>	365	14.37	584 lm	22.32W	<b>1400</b>	1400	55.12	2263 lm
6.48W	<b>0410</b>	410	16.14	657 lm	23.04W	<b>1445</b>	1445	56.89	2336 lm
7.20W	<b>0455</b>	455	17.91	730 lm	23.76W	<b>1490</b>	1490	58.66	2409 lm
7.92W	<b>0500</b>	500	19.69	803 lm	24.48W	<b>1535</b>	1535	60.43	2482 lm
8.64W	<b>0545</b>	545	21.46	876 lm	25.20W	<b>1580</b>	1580	62.20	2555 lm
9.36W	<b>0590</b>	590	23.23	949 lm	25.92W	<b>1625</b>	1625	63.98	2628 lm
10.08W	<b>0635</b>	635	25.00	1022 lm	26.64W	<b>1670</b>	1670	65.75	2701 lm
10.80W	<b>0680</b>	680	26.77	1095 lm	27.36W	<b>1715</b>	1715	67.52	2774 lm
11.52W	<b>0725</b>	725	28.54	1168 lm	28.08W	<b>1760</b>	1760	69.29	2847 lm
12.24W	<b>0770</b>	770	30.31	1241 lm	28.80W	<b>1805</b>	1805	71.06	2920 lm
12.96W	<b>0815</b>	815	32.09	1314 lm	29.52W	<b>1850</b>	1850	72.83	2993 lm
13.68W	<b>0860</b>	860	33.86	1387 lm	30.24W	<b>1895</b>	1895	74.61	3066 lm
14.40W	<b>0905</b>	905	35.63	1460 lm	30.96W	<b>1940</b>	1940	76.38	3139 lm
15.12W	<b>0950</b>	950	37.40	1533 lm	31.68W	<b>1985</b>	1985	78.15	3212 lm
15.84W	<b>0995</b>	995	39.17	1606 lm	32.40W	<b>2030</b>	2030	79.92	3285 lm
16.56W	<b>1040</b>	1040	40.94	1679 lm					

Code ordering example: **G 4 8 2 0 0 5 0 - 9 7 2 7 U D 0 0 1 0**

	Product code*	Length code***	>CRI	CCT**	LED Power	Nominal Lumen	Diffuser	Light Source Code	Finish	
Microline 12 x 9 Dotless	<b>G482</b>	Min. <b>0050</b>	<b>97</b>	<b>27</b> 2700K	16W/m	1526 lm/m	<b>UD</b>	<b>00</b>	<b>10</b> ■ Black	
		⋮		<b>30</b> 3000K		1614 lm/m			<b>11</b> □ White	
		Max. <b>2030</b>		<b>35</b> 3500K		1636 lm/m			<b>28</b> ■ Brass Polished	
				<b>40</b> 4000K	1658 lm/m	<b>35</b> ■ Gold				
				<b>93</b> <b>18</b> 1800K	14W/m	951 lm/m			<b>3Y</b>	<b>70</b> ■ Aluminium
				<b>22</b> 2200K		1128 lm/m				
				<b>95</b> <b>24</b> 2400K		1194 lm/m				

### Notes:

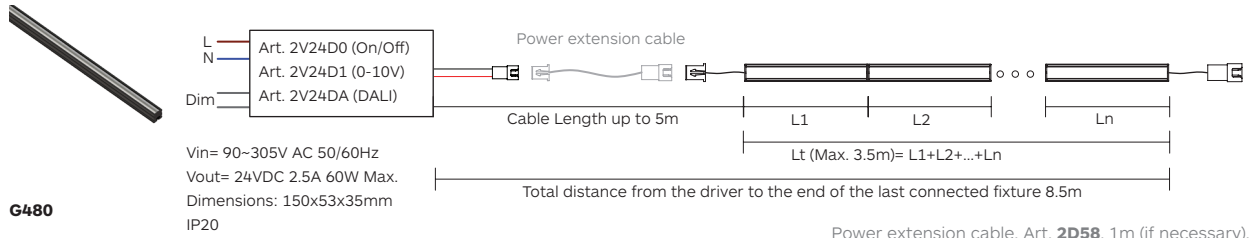
<sup>1</sup> Information in the chart above is related to 3000K LED.

# Driver Options

## Constant Voltage

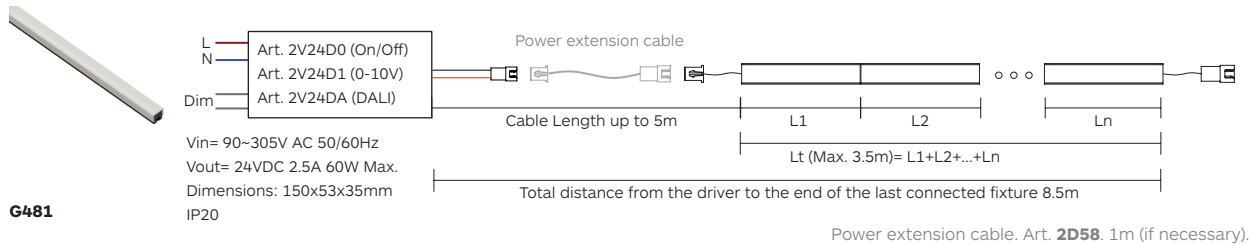
### Microline 8 x 7 Dotless

2V24 Constant Voltage LED Driver. 1 Driver for Maximum 3.5m long fixtures.



### Microline 9 x 9 Dotless

2V24 Constant Voltage LED Driver. 1 Driver for Maximum 3.5m long fixtures.



### Microline 12 x 9 Dotless

2V24 Constant Voltage LED Driver. 1 Driver for Maximum 3.5m long fixtures.

