

INSTRUCTION SHEET OF ANGLE CONNECTION LINEAR PROFILE

Cautions:

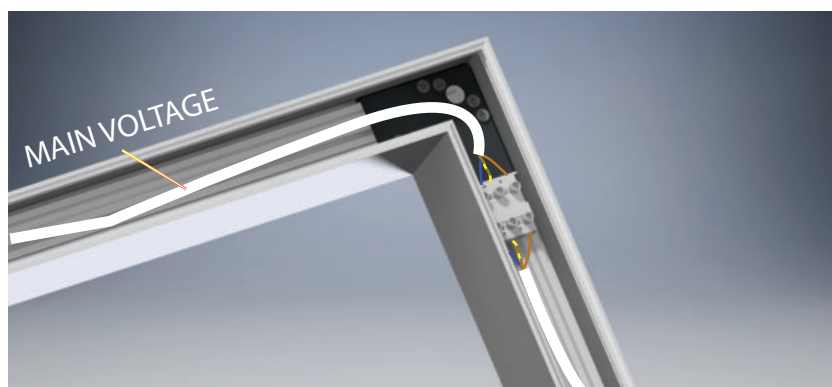
1. Make sure the power stay on power "OFF" position before safe operation;
2. The installation operator must hold a qualified electrician certificate.
3. Check the lighting fixture and accessories before installation. If there is any damage in lamp body or glass ,please stop the installation.



The corner angle profiles are provided with a connection of the supply and a metallic connection for the profile. The metallic connector is screwed onto the part of the profile carrying the supply.



Slide the unscrewed profile to the metallic joint. The unscrewed profile has projected holes that fit into the joint.



Screw the profile with the connector using the screws you will find in the profile. Connect the two parts of the connector and put on the upper metal cap and the plastic PMMA.

Connect the main power supply