

NEO 360 D13

Flexible LED Light Tube, diameter 13mm, 360° output
 Tube de lumière LED flexible, diamètre 13mm, faisceau 360°
A4313



Temperature de couleur CCT
 2300K | 2700K | 3000K | 4000K | DW 2300K - 4000K

Precision de couleur & IRC Color consistency & CRI
 OneBinOnly | 80 / 90+

Puissance lumineuse & Angle ouverture Luminous output & Beam angle
 (@4000K) 480 lm & 360°

Puissance Power
 9 w/m

Coupe Cutting Unit
 25 mm (W) | 33.3mm (DW)

Dimensions & Rayon courbure mini Dimensions & min. bending radius
 5000 x D13mm | R > 60 mm

Indices de protection & normes Standards
 IP65 | IK08 | LM80 | CE | UL Listed
 Flame resistant - UV resistant - Solvent resistant - Saltwater resistant

Tension alimentation & Classe isolation Input voltage & Class
 24Vdc | class III

Température d'utilisation Ambient temperature
 - 20°C / + 40°C



A4313.930.IP65.DALI

CCT & luminous flux

2300K	420 lm/m	823/923
2700K	420 lm/m	827/927
3000K	480 lm/m	830/930
4000K	480 lm/m	840/940

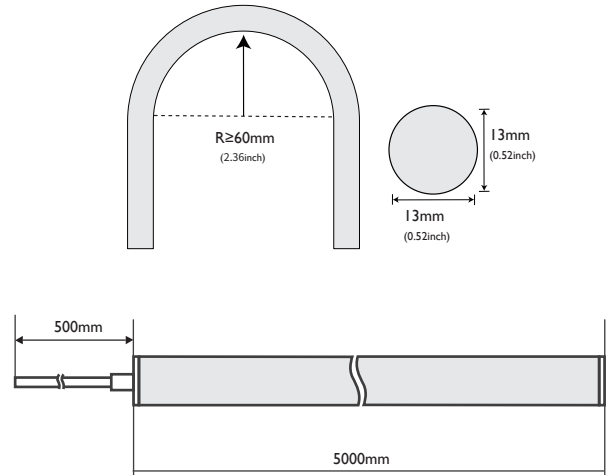
2300K/4000K 225+225 lm/m **DW**

IP Rating
 IP 65

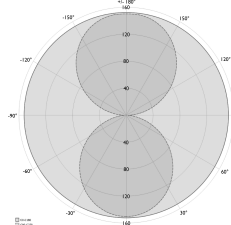
IP65

Dimming
 No dimming
 Dali
 Dmx
 Dimming I to 10VDC
 Phase Dimming Digital

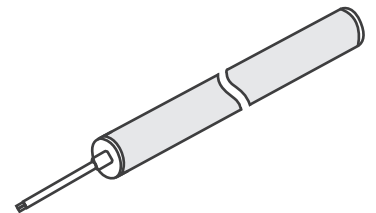
HF
DALI
DMX
D10
PHA



PHOTOMETRIC OF 1M STRIP



360° beam angle photometry of 1m



A4313.CLP
 Plastic Clip
 25mm



A4313.TRP
 Plastic Rail
 1000mm



A4313.CLF
 Flat mounting clip
 25mm



A4313ECS
 End cap set



A4313ECC
 End cap set for cable



A4313.PDC
 Pendant cable

ATEA

